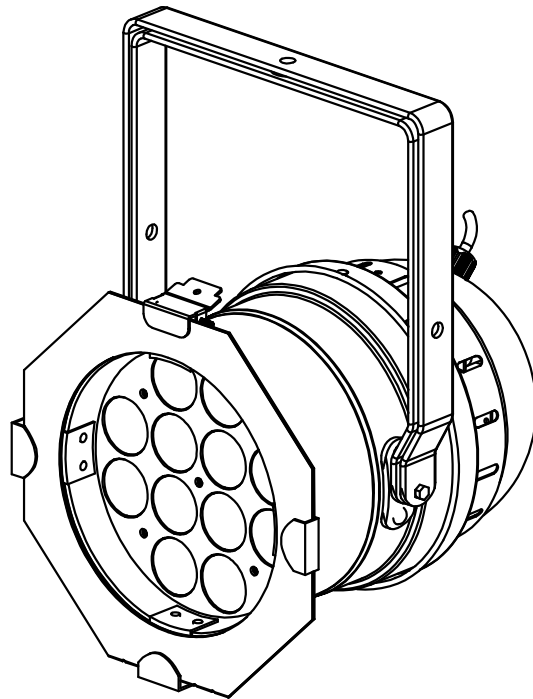


BT-STAGEPAR

6in1



Operation Manual EN
Mode d'emploi FR
Gebruiksaanwijzing NL
Bedienungsanleitung DE
Manual de instrucciones ES

CE

Version: 1.1

BriteQ[®]
LIGHT RESEARCH



EN - DISPOSAL OF THE DEVICE

Dispose of the unit and used batteries in an environment friendly manner according to your country regulations.

FR - DÉCLASSER L'APPAREIL

Débarrassez-vous de l'appareil et des piles usagées de manière écologique conformément aux dispositions légales de votre pays.

NL - VERWIJDEREN VAN HET APPARAAT

Verwijder het toestel en de gebruikte batterijen op een milieuvriendelijke manier conform de in uw land geldende voorschriften.

DU - ENTSORGUNG DES GERÄTS

Entsorgen Sie das Gerät und die Batterien auf umweltfreundliche Art und Weise gemäß den Vorschriften Ihres Landes.

ES - DESHACERSE DEL APARATO

Reciclar el aparato y pilas usadas de forma ecologica conforme a las disposiciones legales de su país.

PT - COMO DESFAZER-SE DA UNIDADE

Tente reciclar a unidade e as pilhas usadas respeitando o ambiente e em conformidade com as normas vigentes no seu país.

OPERATION MANUAL

Thank you for buying this Briteq® product. To take full advantage of all possibilities and for your own safety, please read these operating instructions very carefully before you start using this unit.

FEATURES

This unit is radio-interference suppressed. This product meets the requirements of the current European and national guidelines. Conformity has been established and the relevant statements and documents have been deposited by the manufacturer.

This device was designed to produce decorative effect lighting and is used in light show systems.

- High Power LED PARCAN, perfect for rental companies, discotheques, pro DJs, etc.
- Powerful 25° Beam thanks to 12 powerful 12W "6 in 1" LEDs (Red, Green, Blue, White, Amber, UV) in a classic PAR armature.
- All the possible color combinations become available, BlackLight UV effect included !
- Excellent RGB color mixing and dimming down to 0%
- Backlit alphanumeric LCD-display to select different options of the setup menu.
- Selectable lamp behavior: halogen lamp (slow) or led (fast)
- Four dimmer curves: linear, square, inverse square, S-curve
- In case of DMX failure you can choose between blackout and freeze mode.
- Lock function to avoid unwanted altering of the settings.
- Works standalone and in master/slave configuration:
 - Compose your static fixed color
 - Automatic smooth color fades with manual speed control
 - Automatic color changer with manual speed control
 - Sound controlled color changer with manual sensitivity control for the build-in microphone
- DMX controllable: 8 different modes are available:
 - 1 Ch DMX mode: White dimmer
 - 2 Ch DMX mode: White dimmer and UV dimmer
 - 3 Ch DMX mode: White dimmer, UV dimmer, strobe
 - 3+ Ch DMX mode: White dimmer, White Color Temperature selection, strobe
 - 4 Ch DMX mode: Red, Green, Blue, general dimmer/strobe/sound chase
 - 8 Ch DMX mode: Red, Green, Blue, White, Amber, UV, Master Dimmer, Strobe control
 - 9 Ch DMX mode: Red, Green, Blue, White, Amber, UV, Master Dimmer, Strobe control, Color Macro
 - 9+ Ch DMX mode: Master Dimmer, Strobe, Color fade speed/sound chase, Red, Green, Blue, White, Amber, UV
- RDM-functionality for easy remote setup: DMX addressing, channel mode, ...
- White balance to perfectly match the colors of several projectors.
- Default factory settings + 2 user settings can be saved/loaded.

BEFORE USE

- Before you start using this unit, please check if there's no transportation damage. Should there be any, do not use the device and consult your dealer first.
- **Important:** This device left our factory in perfect condition and well packaged. It is absolutely necessary for the user to strictly follow the safety instructions and warnings in this user manual. Any damage caused by mishandling is not subject to warranty. The dealer will not accept responsibility for any resulting defects or problems caused by disregarding this user manual.
- Keep this booklet in a safe place for future consultation. If you sell the fixture, be sure to add this user manual.

Check the contents:

Check that the packing contains the following items:

- Operating instructions
- BT-STAGEPAR 6in1
- Filter frame

SAFETY INSTRUCTIONS:



CAUTION
RISK OF ELECTRIC SHOCK
DO NOT OPEN



CAUTION: To reduce the risk of electric shock, do not remove the top cover. No user-serviceable parts inside. Refer servicing to qualified service personnel only.



The lightning flash with arrowhead symbol within the equilateral triangle is intended to alert the user or the presence of un-insulated "dangerous voltage" within the product's enclosure that may be of sufficient magnitude to constitute a risk of electric shock.



The exclamation point within the equilateral triangle is intended to alert the user to the presence of important operation and maintenance (servicing) instructions in the literature accompanying this appliance.



This symbol means: indoor use only



This symbol means: Read instructions



This symbol determines: the minimum distance from lighted objects. The minimum distance between light-output and the illuminated surface must be more than 1 meters



The device is not suitable for direct mounting on normally flammable surfaces. (suitable only for mounting on non-combustible surfaces)

RISK GROUP 2
CAUTION:
Do not stare at operating lamp

CAUTION: Do not stare at operating lamp.
May be harmful to the eyes.

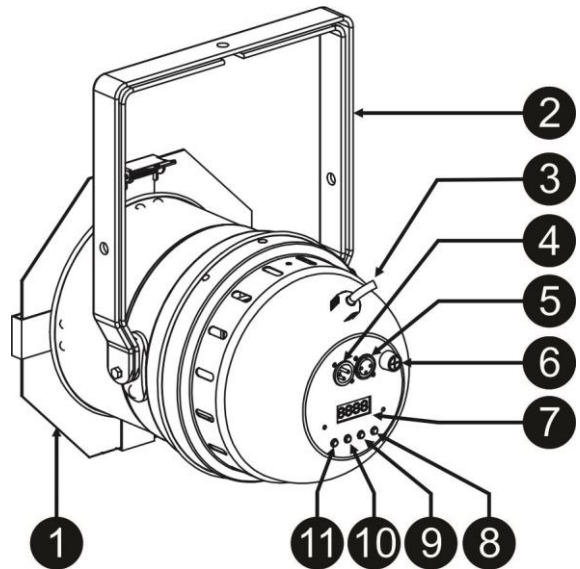
- To protect the environment, please try to recycle the packing material as much as possible.
- To avoid condensation to be formed inside, allow the unit to adapt to the surrounding temperatures when bringing it into a warm room after transport. Condense sometimes prevents the unit from working at full performance or may even cause damages.
- Don't place metal objects or spill liquid inside the unit. Electric shock or malfunction may result. If a foreign object enters the unit, immediately disconnect the mains power.
- Locate the fixture in a well ventilated spot, away from any flammable materials and/or liquids. The fixture must be fixed at least 50cm from surrounding walls.
- Don't cover any ventilation openings as this may result in overheating.
- Prevent use in dusty environments and clean the unit regularly.
- Keep the unit away from children.
- Inexperienced persons should not operate this device.
- Maximum safe ambient temperature is 40°C. Don't use this unit at higher ambient temperatures.
- Make sure the area below the installation place is free from unwanted persons during rigging, de-rigging and servicing.
- Allow the device about 10 minutes to cool down before to start servicing.
- Always unplug the unit when it is not used for a longer time or before to start servicing.
- The electrical installation should be carried out by qualified personal only, according to the regulations for electrical and mechanical safety in your country.
- Check that the available voltage is not higher than the one stated on the unit.
- The power cord should always be in perfect condition. Switch the unit immediately off when the power cord is squashed or damaged. It must be replaced by the manufacturer, its service agent or similarly qualified persons in order to avoid a hazard.
- Never let the power-cord come into contact with other cables!
- This fixture must be earthed in order to comply with safety regulations.
- Don't connect the unit to any dimmer pack.
- Always use an appropriate and certified safety cable when installing the unit.
- In order to prevent electric shock, do not open the cover. There are no user serviceable parts inside.
- **Never** repair a fuse or bypass the fuse holder. **Always** replace a damaged fuse with a fuse of the same type and electrical specifications!
- In the event of serious operating problems, stop using the fixture and contact your dealer immediately.
- The housing and the lenses must be replaced if they are visibly damaged.
- Please use the original packing when the device is to be transported.
- Due to safety reasons it is prohibited to make unauthorized modifications to the unit.

Important: Never look directly into the light source! Don't use the effect in the presence of persons suffering from epilepsy.

DESCRIPTION:

PROJECTOR

1. **FILTER FRAME:** can be used for all kinds of optional filters, like frost filters (to make the beam wider).
2. **DOUBLE BRACKET:** with knob to fasten the unit in the desired position and a mounting hole to fix a mounting hook. As it is a double bracket, it can also be used as a floor stand.
3. **MAINS cable:** to power the unit.
4. **DMX INPUT:** 3pin male XLR-connector used to connect the projector with the DMX controller or with the previous unit in the DMX chain.
5. **DMX OUTPUT:** 3pin female XLR-connector used to connect the projector with the next unit in the DMX chain.
6. **Fuse holder:** always replace a damaged fuse with a fuse of the same type and electrical specifications! (250V 2A slow blow)
7. **DISPLAY** shows the various menus and the selected functions.
8. **DOWN button:** to lower the values shown on the display.
9. **UP button:** to increase the values shown on the display.
10. **ENTER button:** used to confirm your choice or to enter the setup mode of a function.
11. **MODE button:** used to browse the different functions in the menu



OVERHEAD RIGGING

- **Important:** The installation must be carried out by qualified service personal only. Improper installation can result in serious injuries and/or damage to property. Overhead rigging requires extensive experience! Working load limits should be respected, certified installation materials should be used, the installed device should be inspected regularly for safety.
- Make sure the area below the installation place is free from unwanted persons during rigging, de-rigging and servicing.
- Locate the fixture in a well ventilated spot, far away from any flammable materials and/or liquids. The fixture must be fixed **at least 50cm** from surrounding walls.
- The device should be installed out of reach of people and outside areas where persons may walk by or be seated.
- Before rigging make sure that the installation area can hold a minimum point load of 10times the device's weight.
- Always use a certified safety cable that can hold 12times the weight of the device when installing the unit. This secondary safety attachment should be installed in a way that no part of the installation can drop more than 20cm if the main attachment fails.
- The device should be well fixed; a free-swinging mounting is dangerous and may not be considered!
- Don't cover any ventilation openings as this may result in overheating.
- The operator has to make sure that the safety-relating and machine-technical installations are approved by an expert before using them for the first time. The installations should be inspected every year by a skilled person to be sure that safety is still optimal.



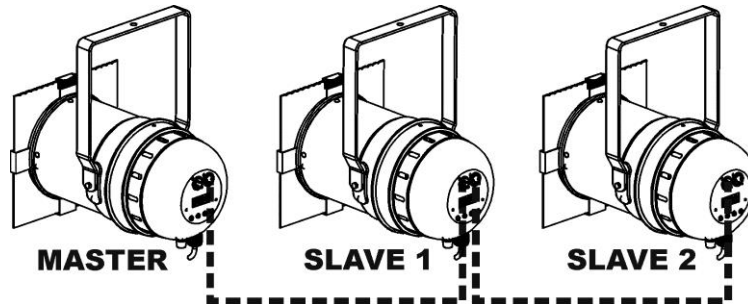
ELECTRICAL INSTALLATION + ADDRESSING

⚠ Important: The electrical installation should be carried out by qualified personal only, according to the regulations for electrical and mechanical safety in your country.

Master / Slave mode:

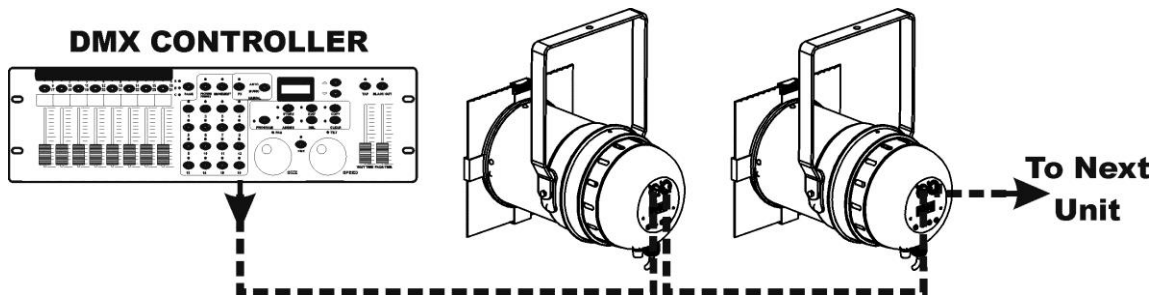
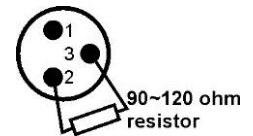
Connect the projectors together as shown on the drawing. Please refer to the paragraph "SETUP MENU" to setup the master. All slaves must be set to SLAVE-mode. You can put as many slaves as you like on condition that the overall power consumption on the power line stays under 10A (2300W).

IMPORTANT: make sure that no DMX-controller is connected, this will result in unexpected behavior!



Electrical installation for two or more units in DMX-mode:

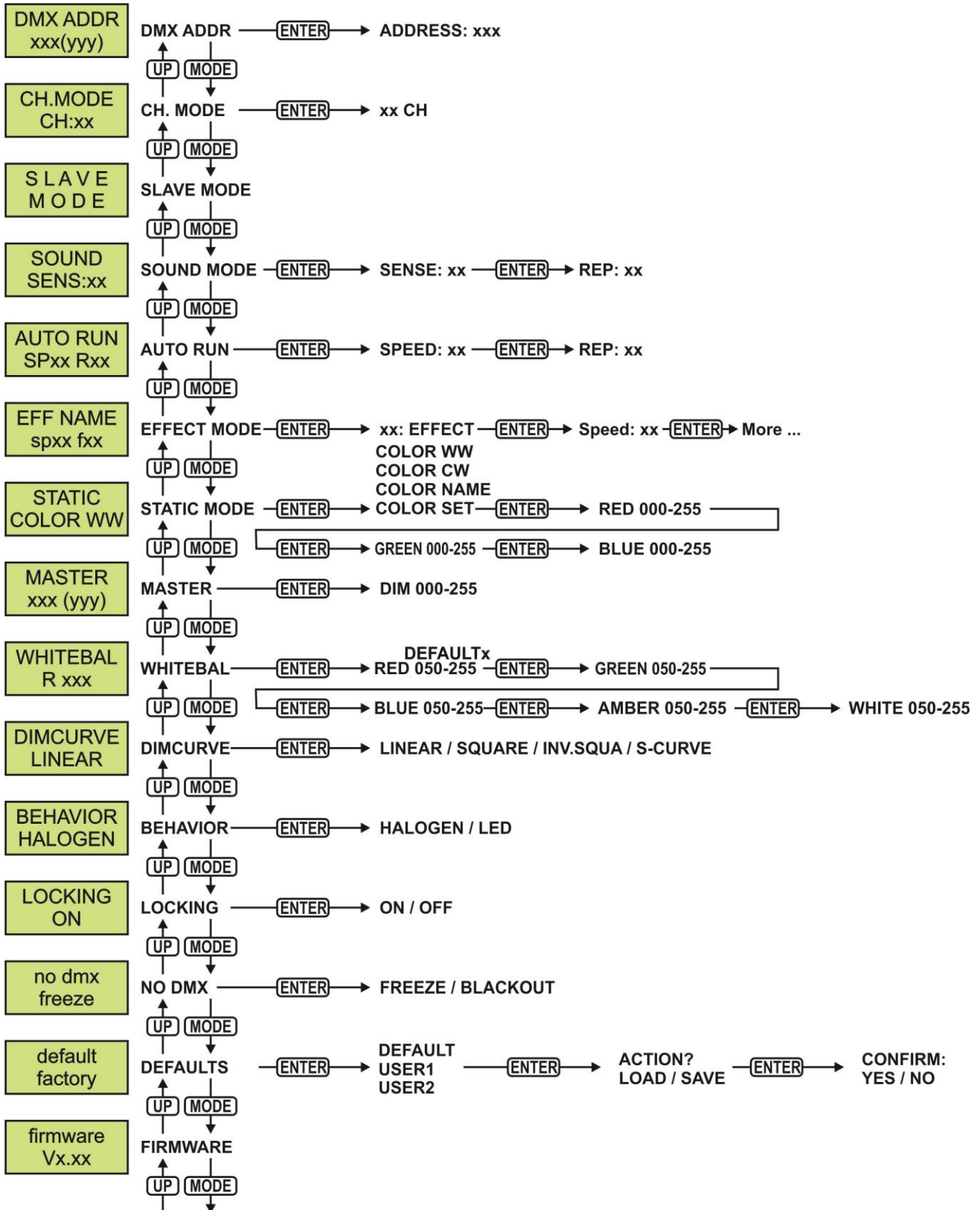
- The DMX-protocol is a widely used high speed signal to control intelligent light equipment. You need to "daisy chain" your DMX controller and all the connected units with a good quality balanced cable.
- To prevent strange behavior of the light effects, due to interferences, you must use a 90Ω to 120Ω terminator at the end of the chain. Never use Y-splitter cables, this simply won't work!
- Make sure that all units are connected to the mains.
- Each light effect in the chain needs to have its proper start address so it knows which commands from the controller it has to decode. In the section HOW TO SETUP you will learn how to set the DMX addresses. If for example you use the 4 channel DMX mode, a possible address setup could be: unit1 = 001 ~ unit2 = 005 ~ unit3 = 009 ~ unit4 = 013 ~ etc.



HOW TO SETUP:

For both models all points are identical, except for the display messages: displays are shown on the left side.

- To select any of the functions, press the MODE button until the required function is shown on the display or use the DOWN and UP buttons to browse the menu.
- Select the function with the ENTER button.
- Use DOWN and UP buttons to change the values.
- Once the required value is selected, press the ENTER button to confirm.



DMX ADDR

Used to set the desired DMX-address.

- Press the MODE button until the desired function is showing on the display.
- Press the ENTER button: the values can be changed
- Use DOWN and UP buttons to select the desired DMX512 address. The last occupied DMX-address is also shown: makes it easier to set the address of the next unit in the chain.
- Once the correct address shows on the display, press the ENTER button to save it.

Note: on RDM-compatible controllers this option can also be remotely set.

CH. MODE

Used to set the desired channel mode.

- Press the MODE button until the desired function is showing on the display.
- Press the ENTER button: the values can be changed
- Use DOWN and UP buttons to select the desired mode
- Once the correct option shows on the display, press the ENTER button to save it.

Remark: on RDM-compatible controllers this option can also be remotely set.

SLAVE MODE

Used to set the projector as slave in a master/slave setup.

- Press the MODE button until SLAVE MODE is showing on the display.

SOUND MODE

Used to set sensitivity of the microphone for use with the automatic Sound Mode.

- Press the MENU button until **SOUND SENS** is shown on the display.
- Press the ENTER button to select.
- Use DOWN and UP buttons to change the sensitivity of the build-in microphone (00 = minimal sensitivity, 31 = maximal sensitivity).
- Once the correct sensitivity is shown on the display, press the ENTER button to confirm.

AUTO RUN

When you select this function, the projector will run all its integrated programs automatically.

You can set the program speed and number of times each program should be repeated.

- Press the MODE button until AUTO RUN is showing on the display.
- Press the ENTER button. SP will blink: this means you can set the running speed of the automatic mode
- Use DOWN and UP buttons to select the desired speed
- Press the ENTER button. R (rate) will blink: this means you can set the number of times each program should be repeated
- Use DOWN and UP buttons to select the desired rate
- Press the ENTER button to confirm

EFFECT MODE

Used to set the desired effect mode while used as master.

- Press the MODE button until the desired function is showing on the display.
- Press the ENTER button: the values can be changed
- Use DOWN and UP buttons to selected the desired mode:
 - **COL.CH6** (COLOR CHANGE 6) 6 colors change automatically without fading.
 - **COL.CH30** (COLOR CHANGE 30) 30 different colors change automatically without fading.
 - **COL.FADE** (COLOR FADE) colors change with a nice fading effect.
- Once the correct option shows on the display, press the ENTER button to save it.
- Use DOWN and UP buttons to select the desired **playback speed** from 01 (very slow) to 99 (fast).
- Once the correct value shows on the display, press the ENTER button to save it.
- Use DOWN and UP buttons to select the desired **strobe speed** from 00 (NO strobe) to 99 (fast).
- Once the correct value shows on the display, press the ENTER button to save it.

STATIC COLOR MODE

Used to set the desired fixed color while used as master: 9 preset colors + 1 custom color.

- Press the MODE button until the desired function is showing on the display.
- Press the ENTER button: the values can be changed
- Use DOWN and UP buttons to selected the desired color:

- **COLOR WW** warm white 3200K
- **COLOR CW** warm white 5600K
- **RED**
- **ORANGE**
- **YELLOW**
- **GREEN**
- **CYAN**
- **BLUE**
- **PURPLE**
- **STATIC SET** this is a color that can be set by the user. Follow these steps:
- Press the ENTER button: the display shows the value (000-255) for RED. (change with ± buttons)
- Press the ENTER button: the display shows the value (000-255) for GREEN. (change with ± buttons)
- Repeat the previous steps for all the other remaining colors until you have the desired color mix.
- Press the ENTER button to confirm

MASTER DIM

Used to set the master dimmer while used as master.

- Press the MODE button until the desired function is showing on the display.
- Press the ENTER button: the values can be changed
- Use DOWN and UP buttons to select the desired level for the master dimmer. (please note that the last selected static color will be used to set the value)
- Once you have the desired level, press the ENTER button to save it.

Note: the setting of this option has NO effect while the projector is used as SLAVE or in DMX-mode.

WHITE BALANCE

Used to set the white balance or to perfectly match the colors of several projectors.

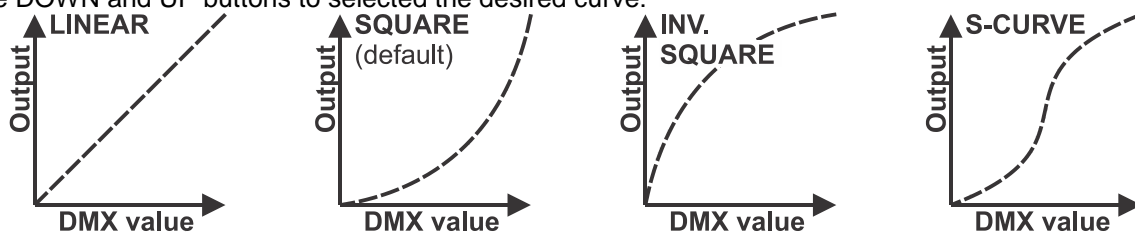
- Press the MODE button until the desired function is showing on the display.
- Press the ENTER button: the display shows the value (050-255) for RED. (change with ± buttons)
- Press the ENTER button: the display shows the value (050-255) for GREEN. (change with ± buttons)
- Repeat these steps for all the remaining colors until you have the desired white balance.
- Press ENTER to confirm. The settings will be automatically saved.

Note: the setting of this option affects all color settings, static colors and DMX-controlled colors.

DIMMER CURVE

Used to set the dimmer curve of the master dimmer.

- Press the MODE button until the desired function is showing on the display.
- Press the ENTER button: the values can be changed
- Use DOWN and UP buttons to selected the desired curve:



- Once you have the desired curve, press the ENTER button to save it.

LAMP BEHAVIOR

Used to select the reaction time of the projector.

- Press the MODE button until the desired function is showing on the display.
- Press the ENTER button: the values can be changed
- Use DOWN and UP buttons to select the desired mode:
 - **LED** The projector follows the instructions instantly, no delay.
 - **HALOGEN** The projector imitates the behavior of a halogen lamp (slower reaction time).
- Once the correct option shows on the display, press the ENTER button to save it.

LOCKING MODE

Used to lock the setup menu against unwanted altering of the settings.

- Press the MODE button until the desired function is showing on the display.
- Press the ENTER button: the values can be changed
- Use DOWN and UP buttons to select the desired mode:
 - **OFF** The setup menu can be used at any time.
 - **ON** After a short time the setup menu locks automatically, the display shows “**LOCKED *******”.
Unlock the display by pressing the buttons in this order: **UP, DOWN, UP, DOWN, ENTER**.
- Once the correct option shows on the display, press the ENTER button to save it.

NO DMX BEHAVIOR

Used to set how the projector reacts when the DMX-signal suddenly disappears.

- Press the MODE button until the desired function is showing on the display.
- Press the ENTER button: the values can be changed
- Use DOWN and UP buttons to select the desired mode:
 - **BLACKOUT** output turns black while no DMX is detected.
 - **FREEZE:** output based on the last valid DMX-signal is kept on the projector.
- Once the correct option shows on the display, press the ENTER button to save it.

Note: as soon as the input detects a DMX-signal, blackout or freeze mode will be cancelled.

DEFAULT SETTINGS

This is your emergency exit if you really messed up the settings: just return to factory settings.

Also 2 user settings can be saved/loaded.

- Press the MODE button until the desired function is showing on the display.
- Press the ENTER button: the values can be changed
- Use DOWN and UP buttons to selected the desired settings:
 - **FACTORY**
 - **USER1**
 - **USER2**
- Press the ENTER button:
 - **FACTORY** was selected: the display shows “LOAD”
 - Press the ENTER button: the display shows “CONFIRM?”
 - Use DOWN and UP buttons to select YES / NO
 - Press the ENTER button to confirm.
 - **USER1 / USER2** was selected: the display shows “ACTION?”
 - Use DOWN and UP buttons to select LOAD / SAVE
 - Press the ENTER button to confirm: the display shows “CONFIRM?”
 - Use DOWN and UP buttons to select YES / NO
 - Press the ENTER button to confirm.
 - **SAVE** was selected: the current settings of the setup menu are saved to memory.
 - **LOAD** was selected: the previously saved settings are loaded.

FIRMWARE VERSION

Used to show the current version of the firmware.

- Press the MODE button until the FIRMWARE is showing on the display.

The firmware of this unit can be upgraded using a special upgrade tool with Windows® software. (separately available from Briteq).

Each time the projector is switched on, the display shows “UPDATE Wait ...”: while this message shows on the display you can start the update using our special upgrade tool. More information about this can be found in the user manual of the upgrade tool and / or our website: www.briteq-lighting.com

RDM FUNCTIONS / REMOTE SETUP

RDM means “Remote Device Management”. This projector works with a brief set of RDM-functions which means that it can setup a bi-directional communication with an RDM-compatible DMX-controller. Some of these functions are briefly explained below, others will be added in the future.

- The DMX-controller sends out a “discovery command”, all RDM devices respond and send their unique device ID.
- The DMX-controller asks each RDM device for some basic data so it knows which devices are connected. The projector will respond:
 - **Device name:** the actual name of the unit
 - **Manufacturer:** Briteq®
 - **Category:** LED Dimmer
 - **Firmware:** x.x.x.x (firmware version of the projector)
 - **DMX address:** xxx (current DMX start address of the projector)
 - **DMX footprint:** xx (number of DMX-channels used by the projector)
 - **Personality:** xx (current personality [or DMX-working mode] used by the projectors)
- The DMX-controller can send certain commands to each RDM device which allow remote setup of the units. Thanks to this the projectors can be setup remotely.

The following functions can be managed remotely:

No more need to take a ladder and set all units one by one!

- **DMX START ADDRESS:** The start address can be set remotely from 001 to xxx.
- **PERSONALITY:** The DMX working mode (DMX-chart) can be set remotely.

These 2 functions make it possible to prepare a complete DMX-patch of all projectors on the DMX-controller and send these data to all projectors at once. More functions will be added later.

OPERATING INSTRUCTIONS

Note: when the projector is switched on the display shows “UPDATE WAIT ...” This message informs you that IF you want to upgrade the firmware, you should do it while this message is shown on the display. For normal use you can ignore this message completely.

A. Standalone 1unit:

- Just connect the projector to the mains.
- Select one of the automatic, sound or static color modes
- Refer to chapter HOW TO SETUP to learn how to make the settings.

B. Two or more units in master/slave setup:

- Connect the units together. Refer to the chapter “electrical installation” to learn how to do this.
- Select one of the automatic, sound or static color modes on the master (the first projector in the DMX chain)
- Set all the other projectors in SLAVE mode
- The projectors will now follow the program of the master projector so they all work synchronously.

C. Controlled by a universal DMX-controller:

- Connect all units together. Refer to the chapter “Electrical installation for two or more units in DMX-mode” to learn how to do this (don’t forget to address all units properly!)
- Connect all units to the mains and turn on the DMX controller.

Since each unit has its own DMX-address, you can control them individually. Remember that each unit can use a different number DMX-channels, depending on the DMX-mode you have selected in the menu. See the different DMX charts below:

1 channel DMX-Mode: White

Channel:	Value:	Function:	Remarks
1	000-255	R+G+B+W+A (0-100%)	

2 channel DMX-Mode: White & UV

Channel:	Value:	Function:	Remarks
1	000-255	R+G+B+W+A Dimmer (0-100%)	
2	000-255	UV Dimmer (0-100%)	

3 channel DMX-Mode: White & UV + strobe

Channel:	Value:	Function:	Remarks
1	000-255	R+G+B+W+A Dimmer (0-100%)	
2	000-255	UV Dimmer (0-100%)	
3	000-255	Strobe Speed	From slow to fast

3+ channel DMX-Mode: Cold White to Warm White & UV

Channel:	Value:	Function:	Remarks
1	000-255	Master Dimmer (0-100%)	Only for the white color
2	000-255	Color Temperature for White	3200K to 10000K
3	000-255	UV Dimmer (0-100%)	

4 channel DMX-Mode: R-G-B + MASTER DIM / STROBE

Note: This mode can be used with JB Systems LEDCON-02 Mk2

Channel:	Value:	Function:	Remarks
1	000-255	Red (0-100%)	
2	000-255	Green (0-100%)	
3	000-255	Blue (0-100%)	
4	000-190	Master dimmer	000=0% ~ 200=100% (full open)
	191-200	Sound Chase	
	201-247	Strobe	Increasing speed: 201=slow ~ 247=fast
	248-255	Master dimmer @ 100%	Master dimmer is full open

8 channel DMX-Mode: R-G-B-W-UV + MASTER DIMMER + STROBE CONTROL

Channel:	Value:	Function:	Remarks
1	000-255	Red (0-100%)	
2	000-255	Green (0-100%)	
3	000-255	Blue (0-100%)	
4	000-255	White (0-100%)	
5	000-255	Amber (0-100%)	
6	000-255	UV (0-100%)	
7	000-255	Master dimmer	
8	000	Strobe Off	
	001-005	Sound Control	
	006-010	Strobe Off	
	011-255	Strobe Speed	Slow (011) to Fast (255)

9 channel DMX-Mode: R-G-B-W-UV + MASTER DIMMER + STROBE CONTROL + COLOR MACRO'S

Channel:	Value:	Function:	Remarks
1	000-255	Red (0-100%)	
2	000-255	Green (0-100%)	
3	000-255	Blue (0-100%)	
4	000-255	White (0-100%)	
5	000-255	Amber (0-100%)	
6	000-255	UV (0-100%)	
7	000-255	Master dimmer	
8	000	Strobe Off	
	001-005	Sound Control	
	006-010	Strobe Off	
	011-255	Strobe Speed	Slow (011) to Fast (255)
9	000-007	Normal Color mixing	Use channels 1 to 6
	008-255	Color Macro's	30 pre-installed colors are available

9+ channel Mode:**R-G-B-W-UV + MASTER DIMMER + STROBE CONTROL + PREPROGRAMMED SHOWS**

Channel:	Value:	Function:	Remarks
1	000-255	Master dimmer	
2	000-007	ON / Open	
	008-037	Random Strobe	
	038-067	Sound Strobe	
	068-255	Strobe Speed: Slow to Fast	
3	000-007	No special function	
	008-247	Color Fade	Slow to Fast
	248-255	Sound Chase	
4	000-255	Red (0-100%)	
5	000-255	Green (0-100%)	
6	000-255	Blue (0-100%)	
7	000-255	White (0-100%)	
8	000-255	Amber (0-100%)	
9	000-255	UV (0-100%)	

MAINTENANCE

- Make sure the area below the installation place is free from unwanted persons during servicing.
- Switch off the unit, unplug the mains cable and wait until the unit has been cooled down.

During inspection the following points should be checked:

- All screws used for installing the device and any of its parts should be tightly fastened and may not be corroded.
- Housings, fixations and installations spots (ceiling, truss, suspensions) should be totally free from any deformation.
- When an optical lens is visibly damaged due to cracks or deep scratches, it must be replaced.
- The mains cables must be in impeccable condition and should be replaced immediately when even a small problem is detected.
- In order to protect the device from overheat the cooling fans (if any) and ventilation openings should be cleaned monthly.
- The cleaning of internal and external optical lenses and/or mirrors must be carried out periodically to optimize light output. Cleaning frequency depends on the environment in which the fixture operates: damp, smoky or particularly dirty surroundings can cause greater accumulation of dirt on the unit's optics.
 - Clean with a soft cloth using normal glass cleaning products.
 - Always dry the parts carefully.

Attention: We strongly recommend internal cleaning to be carried out by qualified technician!

SPECIFICATIONS

Mains Input:	110-250Vac, 50/60Hz
Power consumption:	120 Watt Max.
Fuse:	250V 2A slow blow (20mm glass)
Sound Control:	Internal microphone
DMX connections:	XLR 3pin
DMX modes:	1Ch, 2Ch, 3Ch, 3+Ch, 4Ch, 8Ch, 9Ch, 9+Ch
LEDs:	12pcs 12W "6in1" LEDs (Red, Green, Blue, White, Amber, UV)
Beam angle:	25°
Size:	300 x 275 x 300mm
Weight:	3,5 kg

The information might be modified without prior notice

You can download the latest version of this user manual on our website: www.briteq-lighting.com

GUIDE D'UTILISATION

Nous vous remercions d'avoir acheté ce produit Briteq®. Pour tirer pleinement profit de toutes les possibilités du produit et pour votre propre sécurité, lisez ces instructions très attentivement avant d'utiliser cet appareil.

CARACTÉRISTIQUES

Cet appareil ne produit pas d'interférences radio. Ce produit répond aux exigences des directives européennes et nationales actuelles. La conformité a été établie, les déclarations et documents correspondants ont été déposés par le fabricant.

Cet appareil a été conçu pour produire un effet d'éclairage décoratif et est utilisé dans les systèmes de jeu de lumière.

- PAR à LED puissant, parfait pour les entreprises de location, discothèques, DJ professionnels etc.
- Puissant faisceau de 25 ° grâce aux 12 diodes lumineuses de 12 W « 6 en 1 » (Rouge, Vert, Bleu, Blanc, Jaune, Ultraviolet) dans une armature PAR classique.
- Toutes les combinaisons de couleur sont possibles et un effet de lumière noire (ultraviolet) est inclus !
- Excellent mélange de couleurs RVB et gradation à 0%.
- Afficheur à cristaux liquides alphanumérique rétroéclairé pour sélectionner les différentes options dans le menu de configuration.
- Comportement des lampes au choix : lampe halogène (lente) ou diode (rapide)
- Quatre courbes de variation de l'intensité : linéaire, carré, carré inversé, courbe en S
- En cas de faille du signal DMX, le projecteur passera en mode « tout éteint » ou « maintien » selon votre choix.
- Fonction de verrouillage afin d'empêcher les modifications indésirables de la configuration.
- Fonctionne en mode autonome et en configuration maître/esclave :
 - Vous permettant de composer votre couleur fixe statique
 - Fondus de couleur automatiques et contrôle manuel de la vitesse
 - Changeur de couleurs automatique et contrôle manuel de la vitesse
 - Changeur de couleurs automatique en fonction du son avec contrôle manuel de la sensibilité
- Contrôlable par DMX : 8 modes différents :
 - Mode DMX 1 canal : Gradateur blanc
 - Mode DMX 2 canal : Gradateur blanc et ultraviolet
 - Mode DMX 3 canal : Gradateur blanc, gradateur ultraviolet, effet stroboscopique
 - Mode DMX 3+ canal : Gradateur blanc, réglage de la température de couleur du blanc, effet stroboscopique
 - Mode DMX 4 canal : rouge, vert, bleu, gradation/effet stroboscopique/contrôle sonore
 - Mode DMX 8 canal : rouge, vert, bleu, blanc, jaune, ultraviolet, commande d'effet stroboscopique
 - Mode DMX 9 canal : Gradateur maître, rouge, vert, bleu, blanc, jaune, ultraviolet, gradation, commande d'effet stroboscopique, macro de couleur
 - Mode DMX 9+ canal : Gradateur maître, effet stroboscopique, vitesse de fondu de couleur/entrelacement sonore, rouge, vert, bleu, blanc, jaune, ultraviolet
- Fonctionnalité RDM pour faciliter la configuration à distance : Adressage DMX, mode canal, ...
- Balance des blancs pour faire coïncider parfaitement les couleurs de plusieurs projecteurs.
- Réglages par défaut d'usine + 2 réglages personnels pouvant être enregistrés/chargés.

AVANT UTILISATION

- Avant d'utiliser cet appareil, vérifiez s'il n'a pas été endommagé durant le transport. En cas de dommages, n'utilisez pas l'appareil et consultez immédiatement votre revendeur.
- **Important** : Cet appareil est expédié de notre usine en parfait état et bien emballé. Il est absolument nécessaire que l'utilisateur suive strictement les instructions et les avertissements de sécurité se trouvant dans ce manuel. Tout dommage dû à une mauvaise manipulation n'est pas garanti. Le revendeur n'accepte aucune responsabilité pour tous les défauts et problèmes dus au non-respect de ce manuel.
- Conservez ce manuel dans un endroit sûr pour toute consultation future. Si vous vendez l'appareil, assurez-vous de joindre ce manuel.

Vérifiez le contenu :

Vérifiez que l'emballage contient les éléments suivants :

- Instructions d'utilisation
- BT-STAGEPAR « 6 en 1 »
- Porte-filtre

INSTRUCTIONS DE SÉCURITÉ :



CAUTION
RISK OF ELECTRIC SHOCK
DO NOT OPEN



ATTENTION : Pour réduire le risque de choc électrique, ne retirez pas le panneau supérieur. L'appareil ne contient aucun composant réparable par l'utilisateur. Confiez toute réparation à un personnel qualifié uniquement.



Le symbole de l'éclair à l'intérieur d'un triangle équilatéral est destiné à alerter l'utilisateur de la présence de « tensions dangereuses » non isolées à l'intérieur de l'appareil, d'une magnitude pouvant constituer un risque d'électrocution.



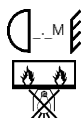
Le symbole du point d'exclamation dans un triangle équilatéral sert à avertir l'utilisateur que d'importants conseils d'utilisation et de maintenance sont fournis dans la documentation accompagnant l'appareil.



Ce symbole signifie : pour un usage intérieur uniquement



Ce symbole signifie : Lisez les instructions



Ce symbole définit : la distance minimale requise avec les objets éclairés. La distance minimale entre la sortie de lumière et la surface éclairée doit être supérieure à un 1 mètre
Cet appareil n'est pas adapté pour un montage direct sur des surfaces normalement inflammables. (ne convient que pour le montage sur surfaces non combustibles)

RISK GROUP 2
CAUTION:
Do not stare at operating lamp

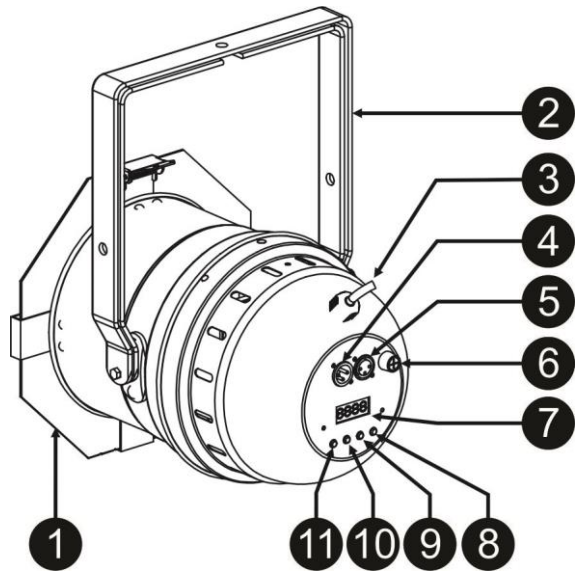
ATTENTION : Ne fixez pas votre regard sur une lampe allumée.
Peut être nocif pour les yeux.

- Pour protéger l'environnement, essayez de recycler autant que possible les matériaux d'emballage.
- Pour éviter une formation de condensation interne, laissez l'appareil s'adapter à la température ambiante quand vous le mettez dans une pièce chaude après le transport. La condensation empêche parfois l'appareil de fonctionner à plein rendement ou peut même causer des dommages.
- Ne placez pas d'objets métalliques et ne renversez pas de liquides à l'intérieur de l'appareil. Un choc électrique ou un dysfonctionnement peut en résulter. Si un corps étranger pénètre dans l'appareil, débranchez immédiatement le cordon d'alimentation de la prise secteur.
- Placez l'appareil dans un endroit bien aéré, loin de tout matériau et/ou liquide inflammable. L'appareil doit être fixé à au moins 50 cm des murs environnants.
- Ne couvrez pas les ouvertures de ventilation, cela pourrait entraîner une surchauffe.
- Évitez une utilisation dans des environnements poussiéreux et nettoyez l'appareil régulièrement.
- Gardez l'appareil loin de la portée des enfants.
- Les personnes inexpérimentées ne doivent pas utiliser cet appareil.
- La température ambiante de fonctionnement maximale est de 40°C. N'utilisez pas cet appareil à des températures ambiantes plus élevées.
- Assurez-vous qu'aucune personne étrangère ne se trouve dans la zone en dessous de l'emplacement d'installation durant le montage, le démontage et l'entretien.
- Laissez environ 10 minutes à l'appareil pour refroidir avant de commencer l'entretien.
- Débranchez toujours l'appareil lorsqu'il ne va pas être utilisé pendant une longue période ou avant de commencer l'entretien.
- L'installation électrique doit être effectuée par du personnel qualifié, conformément à la réglementation en matière de sécurité électrique et mécanique dans votre pays.
- Vérifiez que la tension secteur n'est pas supérieure à celle indiquée sur l'appareil.
- Le cordon d'alimentation doit toujours être en parfait état. Éteignez immédiatement l'appareil dès que le cordon d'alimentation est écrasé ou endommagé. Il doit être remplacé par le fabricant, son agent de service ou une personne de même qualification afin d'éviter tout danger.
- Ne laissez jamais le cordon d'alimentation entrer en contact avec d'autres câbles !
- Ce luminaire doit être mis à la terre pour être conforme à la réglementation en matière de sécurité.
- Ne connectez pas l'appareil à un variateur de lumière.
- Utilisez toujours un câble de sécurité approprié et certifié lors de l'installation de l'appareil.
- Afin d'éviter un choc électrique, n'ouvrez aucun panneau. L'appareil ne contient aucun composant réparable par l'utilisateur.
- Ne réparez **jamais** un fusible et ne court-circuitez jamais le porte-fusible. Remplacez **toujours** un fusible endommagé par un fusible du même type ayant les mêmes spécifications électriques !
- En cas de sérieux problèmes de fonctionnement, cessez d'utiliser l'appareil et contactez immédiatement votre revendeur.
- Le boîtier et les lentilles optiques doivent être remplacés s'ils sont visiblement endommagés.
- Utilisez l'emballage d'origine pour transporter l'appareil.
- Pour des raisons de sécurité, il est interdit d'apporter des modifications non autorisées à l'appareil.

Important : Ne regardez jamais directement la source de lumière ! N'utilisez pas le jeu de lumière en présence de personnes souffrant d'épilepsie.

DESCRIPTION :**PROJECTEUR**

1. **PORTE-FILTRE** : utilisable avec toutes sortes de filtres comme les filtres de Frost (pour rendre le faisceau plus large).
2. **SUPPORT DOUBLE** : avec molette pour bloquer l'appareil dans la position souhaitée et un trou de fixation pour fixer un crochet. Comme il s'agit d'un support double, le projecteur peut être posé sur le sol.
3. **Câble SECTEUR** : pour alimenter l'appareil.
4. **ENTRÉE DMX** : connecteur XLR 3 broches mâle pour connecter le projecteur au contrôleur DMX ou à l'unité précédente dans la chaîne DMX.
5. **SORTIE DMX** : connecteur XLR 3 broches femelle pour connecter le projecteur à l'unité suivante dans la chaîne DMX.
6. **PORTE-FUSIBLE** : remplacez toujours un fusible endommagé par un fusible du même type ayant les mêmes spécifications électriques ! (250 V 2 A à action retardée)
7. **L'AFFICHEUR** affiche les différents menus et les fonctions sélectionnées.
8. **Touche BAS** : pour diminuer les valeurs indiquées sur l'afficheur.
9. **Touche HAUT** : pour augmenter les valeurs indiquées sur l'afficheur.
10. **Touche ENTER** : pour confirmer votre choix ou pour accéder au mode configuration d'une fonction.
11. **Touche MODE** : pour parcourir les différentes fonctions du menu

**MONTAGE AU PLAFOND**

- **Important** : L'installation ne doit être effectuée que par un personnel qualifié. Une mauvaise installation peut entraîner des blessures et/ou dommages graves. Un montage au plafond exige une grande expérience ! Les limites de charge de fonctionnement doivent être respectées, des matériels d'installation certifiés doivent être utilisés, l'appareil installé doit être inspecté régulièrement pour vérifier les conditions de sécurité.
- Assurez-vous qu'aucune personne étrangère ne se trouve dans la zone en dessous de l'emplacement d'installation durant le montage, le démontage et l'entretien.
- Fixez l'appareil dans un endroit bien aéré, loin de tout matériau et/ou liquide inflammable. L'appareil doit être fixé à **au moins 50 cm** des murs environnants.
- L'appareil doit être installé hors de portée des personnes, loin des passages et des endroits où des personnes peuvent aller et venir, ou s'asseoir.
- Avant de lever l'appareil, assurez-vous que le point de suspension peut supporter une charge d'au moins 10 fois le poids de l'appareil.
- Lors de l'installation de l'appareil, utilisez toujours un câble de sécurité certifié qui peut supporter 12 fois le poids de l'appareil. Ce support de suspension de sécurité secondaire doit être installé de manière à ce qu'aucune partie de l'installation ne puisse tomber de plus de 20 cm si le support principal lâche.
- L'appareil doit être bien fixé, un montage balançant est dangereux et ne doit pas être envisagé !
- Ne couvrez pas les ouvertures de ventilation, cela pourrait entraîner une surchauffe.
- L'opérateur doit s'assurer que la sécurité relative à l'installation et les conditions techniques sont approuvées par un expert avant d'utiliser l'appareil pour la première fois. Les installations doivent être inspectées chaque année par une personne qualifiée pour être sûr que la sécurité est toujours optimale.



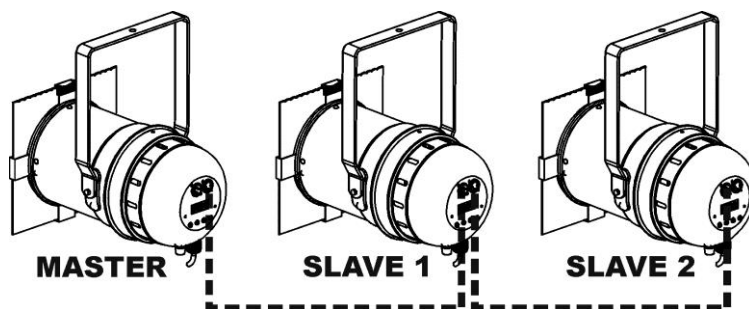
INSTALLATION ÉLECTRIQUE + ADRESSAGE

⚠ Important : L'installation électrique doit être effectuée par du personnel qualifié, conformément à la réglementation en matière de sécurité électrique et mécanique dans votre pays.

Mode Maître/Esclave :

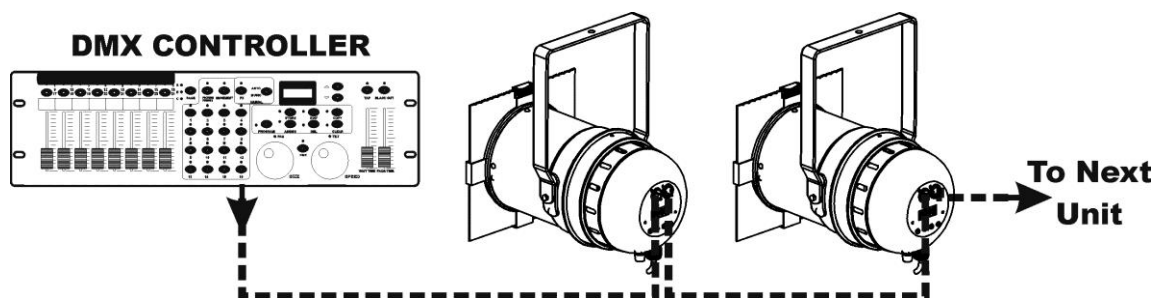
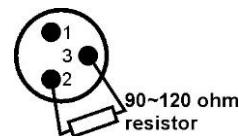
Connectez ensemble les projecteurs comme indiqué sur le schéma. Veuillez consulter le paragraphe « MENU DE CONFIGURATION » pour configurer l'unité maître. Toutes les unités esclave doivent être réglées en mode SLAVE. Le nombre d'unité esclave est limité uniquement par la consommation électrique totale de la chaîne qui est fixée à 10 A (2300 W).

IMPORTANT : vérifiez qu'aucun contrôleur DMX ne soit connecté, il en résulterait un comportement imprévisible !



Installation électrique de deux ou plusieurs unités en mode DMX :

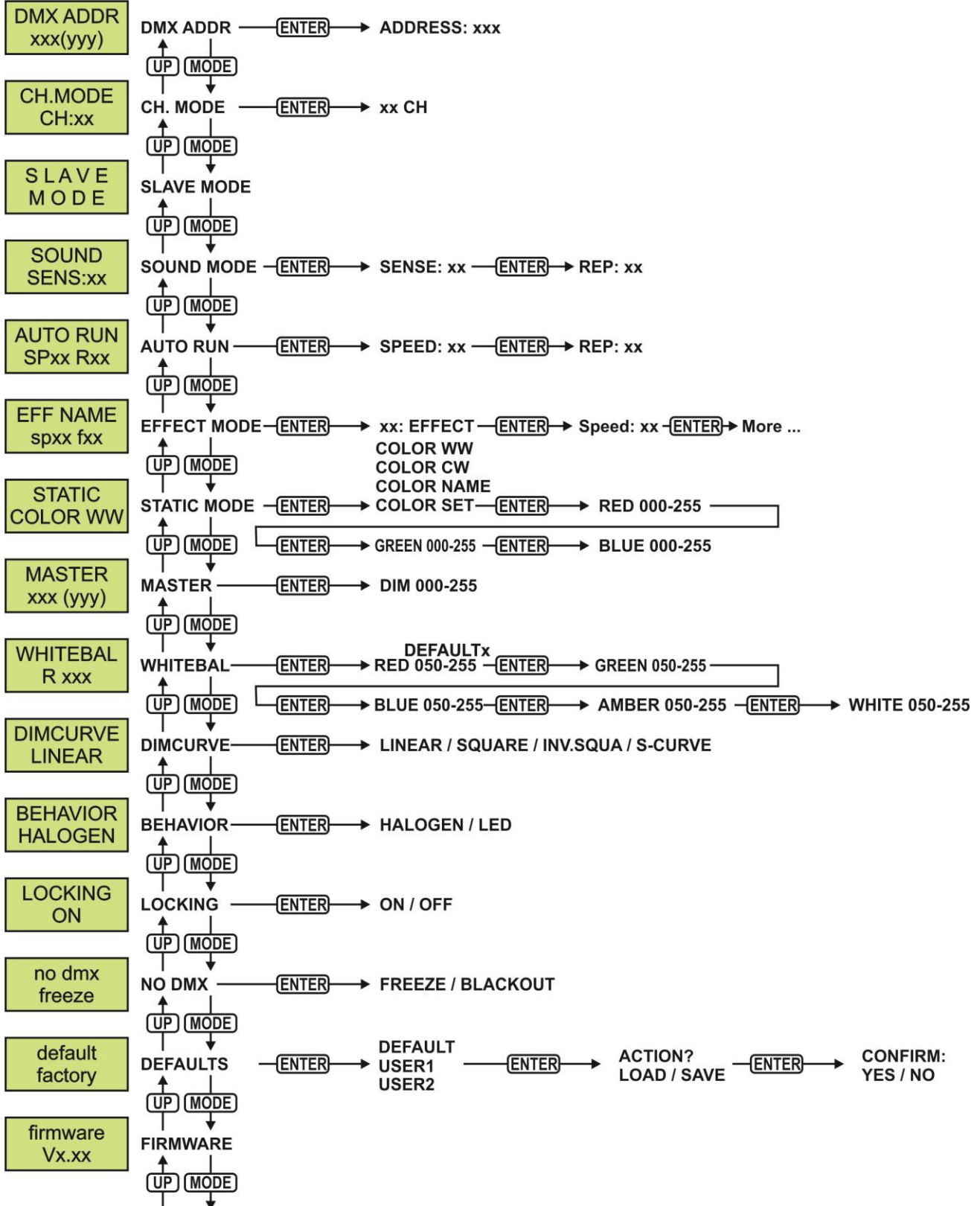
- Le protocole DMX est largement utilisé pour contrôler des équipements lumineux multifonctions au moyen d'un signal à haute vitesse. Vous devez mettre en chaîne votre contrôleur DMX avec toutes les unités connectées par un câble symétrique de bonne qualité.
- Pour éviter un comportement anormal des effets de lumière, à cause des interférences, vous devez utiliser un terminateur de 90 à 120 Ω à la fin de la chaîne. N'utilisez jamais de séparateurs de câbles en Y, cela ne fonctionne pas !
- Assurez-vous que toutes les unités sont branchées au secteur.
- Chaque effet de lumière dans la chaîne doit avoir sa propre adresse de départ afin qu'il sache quelles commandes du contrôleur à décoder. Dans la section « COMMENT CONFIGURER » vous apprendrez comment configurer les adresses DMX. Si, par exemple, vous utilisez le mode DMX 4 canaux, un réglage de l'adresse possible pourrait être : unité1 = 001 ~ unité2 = 005 ~ unité3 = 009 ~ unité4 = 013 ~ etc.



COMMENT CONFIGURER :

Pour les deux modèles, tous les points abordés sont identiques à l'exception des messages affichés : le texte affiché est indiqué sur la partie gauche.

- Pour sélectionner n'importe quelle fonction, appuyez sur la touche MODE jusqu'à ce que la fonction nécessaire apparaisse à l'écran ou utilisez les touches « DOWN » et « UP » pour parcourir le menu.
- Utilisez la touche « ENTER » pour sélectionner la fonction.
- Utilisez les touches « UP »/« DOWN » pour modifier la valeur.
- Une fois la valeur voulue sélectionnée, appuyez sur la touche « ENTER » pour valider.



ADRESSE DMX

Pour régler l'adresse DMX souhaitée.

- Appuyez sur la touche « MODE » jusqu'à ce que la fonction souhaitée s'affiche sur l'écran.
- Appuyez sur la touche « ENTER » : les valeurs sont à présent modifiables
- Utilisez les touches « DOWN » et « UP » pour sélectionner l'adresse DMX512 souhaitée. La dernière adresse DMX utilisée est également affichée : il sera plus facile de régler l'adresse de l'unité suivante dans la chaîne.
- Une fois que l'adresse correcte s'affiche à l'écran, appuyez sur la touche « ENTER » pour l'enregistrer.

Remarque : sur les contrôleurs compatibles RDM, cette option est aussi configurable à distance.

MODE CH.

Pour régler le mode de canal souhaité.

- Appuyez sur la touche « MODE » jusqu'à ce que la fonction souhaitée s'affiche sur l'écran.
- Appuyez sur la touche « ENTER » : les valeurs sont à présent modifiables
- Utilisez les touches « DOWN » et « UP » pour sélectionner le mode souhaité
- Une fois que l'option souhaitée s'affiche à l'écran, appuyez sur la touche « ENTER » pour l'enregistrer.

Remarque : sur les contrôleurs compatibles RDM, cette option est aussi configurable à distance.

MODE ESCLAVE

Pour placer le projecteur en mode maître/esclave.

- Appuyez sur la touche MODE jusqu'à ce que « SLAVE MODE » s'affiche à l'écran.

MODE SONORE

Permet de définir la sensibilité du microphone pour l'utilisation du mode sonore automatique.

- Appuyez sur le bouton MENU jusqu'à ce que « SOUND SENS » soit affichée à l'écran.
- Appuyez sur la touche « ENTER » pour sélectionner.
- Utilisez les touches « DOWN » et « UP » pour modifier la sensibilité du microphone intégré (00 = sensibilité minimale, 31 = sensibilité maximale).
- Une fois que la bonne sensibilité apparaît à l'écran, appuyez sur la touche « ENTER » pour confirmer.

EXÉCUTION AUTOMATIQUE

En cas de sélection de cette fonction, le projecteur lancera automatiquement tous les programmes intégrés.

La vitesse des programmes et le nombre de répétition de chaque programme est également réglable.

- Appuyez sur la touche MODE jusqu'à ce que « AUTO RUN » s'affiche à l'écran.
- Appuyez sur la touche « ENTER ». Le symbole SP clignotera : vous pouvez régler la vitesse d'exécution du mode automatique
- Utilisez les touches « DOWN » et « UP » pour sélectionner la vitesse souhaitée
- Appuyez sur la touche « ENTER ». Le symbole R (rapport) clignotera : vous pouvez régler le nombre de répétition de chaque programme
- Utilisez les touches « DOWN » et « UP » pour sélectionner le rapport souhaité
- Appuyez sur « ENTER » pour confirmer.

MODE EFFET

Pour régler le mode d'effet souhaité en cas d'utilisation en unité maître.

- Appuyez sur la touche « MODE » jusqu'à ce que la fonction souhaitée s'affiche sur l'écran.
- Appuyez sur la touche « ENTER » : les valeurs sont à présent modifiables
- Utilisez les touches « DOWN » et « UP » pour sélectionner le mode souhaité :
 - **COL.CH6** (VARIATION SUR 6 COULEURS) 6 couleurs s'alternent automatiquement sans fondu.
 - **COL.CH30** (VARIATION SUR 30 COULEURS) 30 couleurs s'alternent automatiquement sans fondu.
 - **COL.FADE** (FONDU DE COULEUR) variation de couleur avec un agréable effet de fondu.
- Une fois que l'option souhaitée s'affiche à l'écran, appuyez sur la touche « ENTER » pour l'enregistrer.
- Utilisez les touches « DOWN » et « UP » pour sélectionner la **vitesse d'exécution** souhaitée de 01 (très lent) à 99 (rapide).
- Une fois que la valeur souhaitée s'affiche à l'écran, appuyez sur la touche « ENTER » pour l'enregistrer.
- Utilisez les touches « DOWN » et « UP » pour sélectionner la **fréquence stroboscopique** souhaitée de 00 (aucun effet stroboscopique) à 99 (rapide).
- Une fois que la valeur souhaitée s'affiche à l'écran, appuyez sur la touche « ENTER » pour l'enregistrer.

MODE COULEUR FIXE

Pour régler la couleur fixe souhaitée en cas d'utilisation en unité maître : 9 couleurs pré-réglées + 1 couleur personnalisée.

- Appuyez sur la touche « MODE » jusqu'à ce que la fonction souhaitée s'affiche sur l'écran.
- Appuyez sur la touche « ENTER » : les valeurs sont à présent modifiables
- Utilisez les touches « DOWN » et « UP » pour sélectionner la couleur souhaitée :
 - **COLOR WW** Blanc chaud 3200 K
 - **COLOR CW** Blanc chaud 5600K
 - **RED**
 - **ORANGE**
 - **YELLOW**
 - **GREEN**
 - **CYAN**
 - **BLUE**
 - **PURPLE**
 - **STATIC SET** C'est une couleur au choix de l'utilisateur. Suivez la procédure suivante :
- Appuyez sur la touche « ENTER » : l'écran affiche la valeur (000-255) pour le ROUGE. (Changez la valeur avec les touches \pm)
- Appuyez sur la touche « ENTER » : l'écran affiche la valeur (000-255) pour le VERT. (Changez la valeur avec les touches \pm)
- Répétez la procédure précédente pour toutes les autres couleurs restantes tant que vous n'obtenez pas le mélange de couleur souhaité.
- Appuyez sur « ENTER » pour confirmer.

GRADATEUR MAÎTRE

Pour régler le gradateur maître en cas d'utilisation en unité maître.

- Appuyez sur la touche « MODE » jusqu'à ce que la fonction souhaitée s'affiche sur l'écran.
- Appuyez sur la touche « ENTER » : les valeurs sont à présent modifiables
- Utilisez les touches « DOWN » et « UP » pour sélectionner le niveau souhaité pour le gradateur maître. (veuillez noter que la dernière couleur fixe sélectionnée sera utilisée pour régler la valeur)
- Une fois le niveau souhaité obtenu, appuyez sur la touche « ENTER » pour l'enregistrer.

Remarque : le réglage de cette option n'a AUCUN effet quand le projecteur est utilisé en ESCLAVE ou en mode DMX.

BALANCE DES BLANCS

Pour régler la balance des blancs ou faire coïncider parfaitement les couleurs de plusieurs projecteurs.

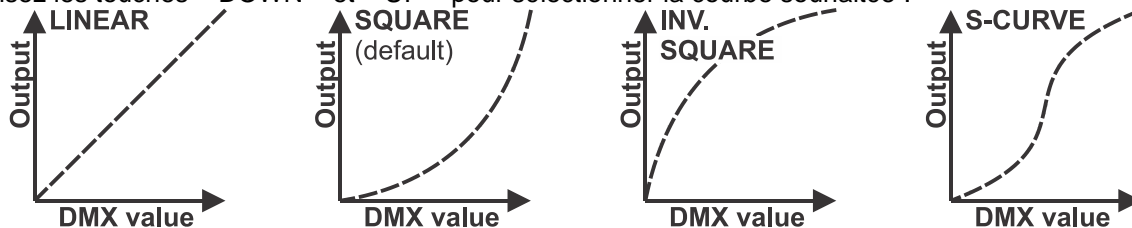
- Appuyez sur la touche « MODE » jusqu'à ce que la fonction souhaitée s'affiche sur l'écran.
- Appuyez sur la touche « ENTER » : l'écran affiche la valeur (050-255) pour le ROUGE. (Changez la valeur avec les touches \pm)
- Appuyez sur la touche « ENTER » : l'écran affiche la valeur (050-255) pour le VERT. (Changez la valeur avec les touches \pm)
- Répétez la procédure précédente pour toutes les couleurs restantes tant que vous n'obtenez pas la balance des blancs souhaitée.
- Appuyez sur « ENTER » pour confirmer. Les réglages sont automatiquement enregistrés.

Remarque : le réglage de cette option modifie tous les réglages de couleur, les couleurs fixes et les couleurs gérées par DMX.

COURBE DE GRADATION

Pour régler la courbe de gradation du gradateur maître.

- Appuyez sur la touche « MODE » jusqu'à ce que la fonction souhaitée s'affiche sur l'écran.
- Appuyez sur la touche « ENTER » : les valeurs sont à présent modifiables
- Utilisez les touches « DOWN » et « UP » pour sélectionner la courbe souhaitée :



- Une fois la courbe souhaitée obtenue, appuyez sur la touche « ENTER » pour l'enregistrer.

COMPORTEMENT EN MODE LAMPE

Pour sélectionner le temps de réaction du projecteur.

- Appuyez sur la touche « MODE » jusqu'à ce que la fonction souhaitée s'affiche sur l'écran.
- Appuyez sur la touche « ENTER » : les valeurs sont à présent modifiables
- Utilisez les touches « DOWN » et « UP » pour sélectionner le mode souhaité :
 - **LED** Le projecteur suit immédiatement les instructions sans délai.
 - **HALOGEN** Le projecteur imite le comportement d'une lampe halogène (temps de réaction plus faible).
- Une fois que l'option souhaitée s'affiche à l'écran, appuyez sur la touche « ENTER » pour l'enregistrer.

MODE DE VERROUILLAGE

Pour verrouiller le menu de configuration contre des modifications indésirables des réglages.

- Appuyez sur la touche « MODE » jusqu'à ce que la fonction souhaitée s'affiche sur l'écran.
- Appuyez sur la touche « ENTER » : les valeurs sont à présent modifiables
- Utilisez les touches « DOWN » et « UP » pour sélectionner le mode souhaité :
 - **OFF** Le menu de configuration peut être utilisé à tout moment.
 - **ON** Après un court laps de temps, le menu de configuration est verrouillé automatiquement, l'afficheur indique « **LOCKED ******* ». Déverrouillez l'afficheur en appuyant sur les touches suivantes dans l'ordre donné : **UP, DOWN, UP, DOWN, ENTER**.
- Une fois que l'option souhaitée s'affiche à l'écran, appuyez sur la touche « ENTER » pour l'enregistrer.

COMPORTEMENT SANS DMX

Pour régler la façon dont le projecteur réagit si le signal DMX vient à manquer soudainement.

- Appuyez sur la touche « MODE » jusqu'à ce que la fonction souhaitée s'affiche sur l'écran.
 - Appuyez sur la touche « ENTER » : les valeurs sont à présent modifiables
 - Utilisez les touches « DOWN » et « UP » pour sélectionner le mode souhaité :
 - **BLACKOUT** L'éclairage est éteint si aucun DMX n'est détecté.
 - **FREEZE** le projecteur utilise le dernier signal DMX valide.
 - Une fois que l'option souhaitée s'affiche à l'écran, appuyez sur la touche « ENTER » pour l'enregistrer.
- Remarque : dès que l'entrée détecte un signal DMX, les modes « blackout » ou « freeze » sont abandonnés.*

RÉGLAGES PAR DÉFAUT

C'est votre sortie de secours dans le cas où vous aurez mis la pagaille dans les paramètres : il suffit de restaurer les paramètres par défaut.

Vous pouvez également enregistrer/charger 2 réglages personnels.

- Appuyez sur la touche « MODE » jusqu'à ce que la fonction souhaitée s'affiche sur l'écran.
- Appuyez sur la touche « ENTER » : les valeurs sont à présent modifiables
- Utilisez les touches « DOWN » et « UP » pour sélectionner les réglages souhaités :
 - **FACTORY**
 - **USER1**
 - **USER2**
- Appuyez sur la touche « ENTER » :
 - **FACTORY** est sélectionné : l'afficheur indique « **LOAD** »
 - Appuyez sur la touche « ENTER », l'affichage indique « **CONFIRM?** ».
 - Utilisez les touches « DOWN » et « UP » pour sélectionner « **YES/NO** ».
 - Appuyez sur « ENTER » pour confirmer.
 - **USER1/USER2** est sélectionné : l'afficheur indique « **ACTION?** »
 - Utilisez les touches « DOWN » et « UP » pour sélectionner « **LOAD/SAVE** ».
 - Appuyez sur la touche « ENTER » pour confirmer : l'afficheur indique « **CONFIRM?** »
 - Utilisez les touches « DOWN » et « UP » pour sélectionner « **YES/NO** ».
 - Appuyez sur « ENTER » pour confirmer.
 - **SAVE** est sélectionnée : les réglages actuels du menu de configuration sont mémorisés.
 - **LOAD** est sélectionné : des réglages mémorisés précédemment sont chargés.

VERSION DU MICROLOGICIEL

Pour afficher la version actuelle du micrologiciel.

- Appuyez sur la touche « MODE » jusqu'à ce que « **FIRMWARE** » s'affiche à l'écran.
- Le micrologiciel de cet appareil peut être mise à niveau à l'aide d'un outil spéciale de mise à niveau sous le système d'exploitation Windows®. (disponible séparément auprès de Briteq).
Chaque fois que le projecteur est allumé, l'afficheur indique « **UPDATE Wait...** » : alors que ce message est affiché, vous pouvez réaliser la mise à niveau à l'aide de l'outil spécial de mise à niveau. Pour plus d'informations sur cette fonctionnalité, consultez le mode d'emploi de l'outil de mise à niveau et/ou notre site Web : www.briteq-lighting.com

FONCTIONS RDM / CONFIGURATION A DISTANCE

RDM signifie « Remote Device Management » (gestion des appareils à distance). Ce projecteur fonctionne avec une brève série de fonctions RDM, cela signifie qu'il peut établir une communication bidirectionnelle avec un contrôleur DMX compatible RDM. Certaines de ces fonctions sont brièvement expliquées ci-dessous, d'autres le seront dans le futur.

- Le contrôleur DMX envoie une commande de détection « discovery » ; tous les appareils RDM réagissent en envoyant leur identifiant de dispositif unique.
- Le contrôleur DMX demande à chaque appareil RDM d'envoyer certaines données de base afin de déterminer les appareils connectés. Le projecteur répondra :
 - **Nom de l'appareil** : le nom actuel de l'unité
 - **Fabricant** : Briteq®
 - **Catégorie** : Gradateur DEL
 - **Micrologiciel** : x.x.x.x (version du micrologiciel du projecteur)
 - **Adresse DMX** : xxx (adresse de début DMX actuelle du projecteur)
 - **Empreinte DMX** : xx (nombre de canaux DMX utilisés par le projecteur)
 - **Personnalité** : xx (personnalité actuelle [ou mode de fonctionnement DMX] utilisée par les projecteurs)
- Le contrôleur DMX peut envoyer certaines commandes à chaque appareil RDM qui permettent la configuration à distance des unités. Grâce à celles-ci, les projecteurs peuvent être configurés à distance.

Les fonctions suivantes peuvent être gérées à distance :

Plus besoin d'échelle pour monter et régler les unités une par une !

- **ADRESSE DMX DE DÉBUT** : L'adresse de début peut être réglée à distance entre 001 et xxx.
- **PERSONNALITÉ** : Le mode de fonctionnement DMX (tableaux DMX) peut être réglé à distance.

Ces 2 fonctions permettent de préparer un raccordement DMX complet de tous les projecteurs sur le contrôleur DMX et d'envoyer ces données à tous les projecteurs à la fois. D'autres fonctions seront disponibles ultérieurement.

INSTRUCTIONS D'UTILISATION

Remarque : À la mise sous tension du projecteur, l'écran affiche « UPDATE WAIT... » Ce message vous indique que, si vous souhaitez effectuer la mise à niveau du micrologiciel, vous devez le faire alors que ce message est affiché sur l'afficheur. Ignorez complètement ce message en utilisation normale.

A. Une seule unité autonome :

- Il suffit de brancher le projecteur au secteur.
- Sélectionnez l'un des modes de couleur automatique, sonore ou fixe
- Reportez-vous au chapitre « COMMENT CONFIGURER » pour apprendre à configurer ces paramètres.

B. Configuration de deux ou plusieurs unités en maître/esclave :

- Connectez ensemble toutes les unités. Reportez-vous au chapitre « Installation électrique » pour les opérations à suivre.
- Sélectionnez l'un des modes de couleur automatique, sonore ou fixe sur le maître (le premier projecteur de la chaîne DMX)
- Mettez tous les autres projecteurs en mode ESCLAVE
- Les projecteurs vont se synchroniser au programme du projecteur maître.

C. Contrôlé par un contrôleur DMX universel :

- Connectez ensemble toutes les unités. Reportez-vous au chapitre « Installation électrique de deux ou plusieurs unités en mode DMX » pour les opérations à suivre (n'oubliez pas de définir correctement les adresses de toutes les unités !)
- Branchez toutes les unités au secteur et allumez le contrôleur DMX.

Étant donné que chaque unité possède sa propre adresse DMX, vous pouvez les contrôler individuellement. N'oubliez pas que chaque unité utilise un nombre différent de canaux DMX, selon le mode DMX sélectionné dans le menu. Reportez-vous aux différents tableaux DMX ci-dessous :

Mode DMX 1 canal : Blanc

Canal :	Valeur :	Fonction :	Remarques
1	000-255	R+G+B+W+A (0-100%)	

Mode DMX 2 canal : Blanc et ultraviolet

Canal :	Valeur :	Fonction :	Remarques
1	000-255	Gradateur R+G+B+W+A (0-100%)	
2	000-255	Gradateur d'ultraviolet (0-100%)	

Mode DMX 3 canal : Blanc et ultraviolet + effet stroboscopique

Canal :	Valeur :	Fonction :	Remarques
1	000-255	Gradateur R+G+B+W+A (0-100%)	
2	000-255	Gradateur d'ultraviolet (0-100%)	
3	000-255	Vitesse stroboscopique	De lent à rapide

Mode DMX plus de 3 canaux De blanc froid à blanc chaud et ultraviolet

Canal :	Valeur :	Fonction :	Remarques
1	000-255	Gradateur maître (0-100%)	Uniquement pour la couleur blanche
2	000-255	Température de couleur pour le blanc	3200 K à 10000 K
3	000-255	Gradateur d'ultraviolet (0-100%)	

Mode DMX 4 canal : R-V-B + GRADATEUR MAÎTRE/EFFET STROBOSCOPIQUE

Remarque : Ce mode peut être utilisé avec le contrôleur LEDCON-02 Mk2 de JB Systems

Canal :	Valeur :	Fonction :	Remarques
1	000-255	Rouge (0-100%)	
2	000-255	Vert (0-100%)	
3	000-255	Bleu (0-100%)	
4	000-190	Gradateur maître	000 = 0% ~ 200 = 100% (ouverture totale)
	191-200	Entrelacement et son	
	201-247	Effet stroboscopique	Vitesse croissante : 201 = lente ~ 247 = rapide
	248-255	Gradateur maître à 100%	Gradateur maître complètement ouvert

Mode DMX 8 canal : R-G-B-W-UV + GRADATEUR MAÎTRE + COMMANDE D'EFFET STROBOSCOPIQUE

Canal :	Valeur :	Fonction :	Remarques
1	000-255	Rouge (0-100%)	
2	000-255	Vert (0-100%)	
3	000-255	Bleu (0-100%)	
4	000-255	Blanc (0-100%)	
5	000-255	Jaune (0-100%)	
6	000-255	Ultraviolet (0-100%)	
7	000-255	Gradateur maître	
8	000	Effet stroboscopique désactivé	
	001-005	Commande sonore	
	006-010	Effet stroboscopique désactivé	
	011-255	Vitesse stroboscopique	De lent (011) à rapide (255)

Mode DMX 9 canal : R-G-B-W-UV + GRADATEUR MAÎTRE + COMMANDE D'EFFET STROBOSCOPIQUE + MACRO DE COULEUR

Canal :	Valeur :	Fonction :	Remarques
1	000-255	Rouge (0-100%)	
2	000-255	Vert (0-100%)	
3	000-255	Bleu (0-100%)	
4	000-255	Blanc (0-100%)	
5	000-255	Jaune (0-100%)	
6	000-255	Ultraviolet (0-100%)	
7	000-255	Gradateur maître	
8	000	Effet stroboscopique désactivé	
	001-005	Commande sonore	
	006-010	Effet stroboscopique désactivé	
	011-255	Vitesse stroboscopique	De lent (011) à rapide (255)
9	000-007	Mélange de couleur normal	Utiliser les canaux 1 à 6
	008-255	Macro de couleur	30 couleurs prédéfinies sont disponibles

Mode plus de 9 canaux :

R-G-B-W-UV + GRADATEUR MAÎTRE + COMMANDE D'EFFET STROBOSCOPIQUE + SHOWS PRÉPROGRAMMÉS

Canal :	Valeur :	Fonction :	Remarques
1	000-255	Gradateur maître	
2	000-007	ON/Ouvert	
	008-037	Effet stroboscopique aléatoire	
	038-067	Son et lumière	
	068-255	Vitesse stroboscopique : De lent à rapide	
3	000-007	Aucune fonction spéciale	
	008-247	Fondu de couleur	De lent à rapide
	248-255	Entrelacement et son	
4	000-255	Rouge (0-100%)	
5	000-255	Vert (0-100%)	
6	000-255	Bleu (0-100%)	
7	000-255	Blanc (0-100%)	
8	000-255	Jaune (0-100%)	
9	000-255	Ultraviolet (0-100%)	

ENTRETIEN

- Assurez-vous qu'aucune personne étrangère ne se trouve dans la zone en dessous de l'emplacement d'installation durant l'entretien.
- Éteignez l'appareil, débranchez le câble secteur et attendez que l'appareil refroidisse.

Lors de l'inspection, les points suivants doivent être vérifiés :

- Toutes les vis utilisées pour l'installation de l'appareil et chacun des composants doivent être solidement fixés et ne doivent pas être rouillés.
- Les boîtiers, les supports et les points d'installation (plafond, poutre, suspensions) ne doivent pas être déformés.
- Quand une lentille optique est visiblement endommagée en raison de fissures ou de rayures profondes, elle doit être remplacée.
- Les câbles d'alimentation doivent être dans un état impeccable et doivent être remplacés immédiatement même si un petit problème est détecté.
- Afin de protéger l'appareil de toute surchauffe, les ventilateurs de rafraîchissement (le cas échéant) et les ouvertures de ventilation doivent être nettoyés mensuellement.
- Le nettoyage des lentilles optiques et/ou miroirs internes et externes doit être effectué périodiquement pour optimiser le flux lumineux. La fréquence de nettoyage dépend de l'environnement dans lequel le projecteur est utilisé : des environnements humides, enfumés ou particulièrement sales peuvent causer l'accumulation de saleté sur l'optique de l'appareil.
 - Nettoyez avec un chiffon doux en utilisant des produits de nettoyage pour verre normal.
 - Séchez toujours les pièces soigneusement.

Attention : Nous vous conseillons fortement de faire effectuer le nettoyage interne par un personnel qualifié !

SPÉCIFICATIONS

Tension d'entrée :	110-250 V CA, 50/60 Hz
Consommation électrique :	120 W max.
Fusible :	250 V 2 A à action retardée (verre 20 mm)
Commande sonore :	Microphone interne
Connexions DMX :	XLR 3 broches
Modes DMX :	1 canal, 2 canal, 3 canal, 3+ canal, 4 canal, 8 canal, 9 canal, 9+ canal
Diodes :	12 diodes lumineuses 12 W « 6 en 1 » (Rouge, Vert, Bleu, Blanc, Jaune, Ultraviolet)
Angle de faisceau :	25 °
Dimensions :	300 x 275 x 300 mm
Poids :	3,5 kg

Les informations peuvent être modifiées sans préavis

Vous pouvez télécharger la dernière version de ce manuel sur notre site web :

www.briteq-lighting.com

GEBRUIKSAANWIJZING

Hartelijk dank voor de aankoop van dit Briteq® product. Lees voordat u dit apparaat in gebruik neemt deze gebruiksaanwijzing zorgvuldig door, om ten volle te kunnen profiteren van alle mogelijkheden en voor uw eigen veiligheid.

EIGENSCHAPPEN

Dit apparaat is voorzien van onderdrukking voor radiostoring. Dit apparaat voldoet aan de eisen van de huidige Europese en nationale richtlijnen. De conformiteit werd vastgesteld en de desbetreffende verklaringen en documenten zijn door de fabrikant gedeponneerd.

Dit apparaat is ontworpen om decoratieve effectverlichting te produceren en wordt in lichtshowsysteem gebruikt.

- Hoog vermogen LED PAR, perfect voor verhuurbedrijven, discotheken, professionele DJ's, enz.
- Krachtige 25° bundel, dankzij 12 krachtige 12 W "6 in 1" LED's (rood, groen, blauw, wit, amber, UV) in een klassiek PAR-armatuur.
- Alle mogelijke kleurencombinaties zijn beschikbaar, inclusief blacklight UV-effect!
- Uitstekende RGB-kleurenmenging en dimfunctie tot 0%.
- Alfa-numeriek LCD-scherm met achterverlichting voor het selecteren van de verschillende opties van het installatiemenu.
- Gedrag van de lamp kan worden geselecteerd: halogeenlamp (traag) of LED (snel).
- Vier dimmerkrommen: lineair, square, omgekeerd square, S-kromme.
- In geval van DMX-storing kunt u kiezen uit de modi black-out en bevroren.
- Vergrendelfunctie om ongewenst wijzigen van de instellingen te vermijden.
- Werkt als standalone en in master-/slaveconfiguratie:
 - Stel uw eigen statische, vaste kleur samen
 - Automatische en soepele kleurafading met handmatige snelheidsregeling
 - Automatische kleurverandering met handmatige snelheidsregeling
 - Geluidgestuurde kleurverandering met handmatige gevoeligheidsregeling voor de ingebouwde microfoon
- DMX-regelbaar: Er zijn 8 verschillende modi beschikbaar:
 - 1-kanaals DMX-modus: Witdimmer
 - 2-kanaals DMX-modus: Witdimmer en UV-dimmer
 - 3-kanaals DMX-modus: Witdimmer, UV-dimmer, stroboscoop
 - 3+ kanaals DMX-modus: Witdimmer, kleurtemperatuurselectie voor wit, stroboscoop
 - 4-kanaals DMX-modus: Rood, groen, blauw, algemene dimmer/stroboscoop/volg geluid
 - 8-kanaals DMX-modus: Rood, groen, blauw, wit, amber, UV, master dimmer, stroboscoopregeling
 - 9-kanaals DMX-modus: Rood, groen, blauw, wit, amber, UV, master dimmer, stroboscoopregeling, kleurenmacro
 - 9+ kanaals DMX-modus: Master dimmer, stroboscoop, snelheid kleurafading/volg geluid, rood, groen, blauw, wit, amber, UV
- RDM-functionaliteit voor eenvoudige instelling op afstand: DMX-adressering, kanaalmodus, ...
- Witbalans om de kleuren van diverse projectors perfect op elkaar af te stemmen.
- Er kunnen standaard fabrieksinstellingen en 2 gebruikersinstellingen worden opgeslagen/geladen.

VOOR HET GEBRUIK

- Controleer het apparaat voordat u het in gebruik neemt op transportschade. Als er schade is, gebruik het apparaat dan niet en raadpleeg eerst uw dealer.
- **Belangrijk:** Dit apparaat verliet de fabriek in perfecte staat en goed verpakt. Het is absoluut noodzakelijk dat de gebruiker de veiligheidsinstructies en waarschuwingen in deze gebruiksaanwijzing strikt opvolgt. Eventuele schade veroorzaakt door verkeerde behandeling valt niet onder de garantie. De dealer neemt geen verantwoording voor eventuele fouten of problemen die worden veroorzaakt door het niet naleven van deze gebruiksaanwijzing.
- Bewaar dit boekje op een veilige plaats om het in de toekomst te kunnen raadplegen. Als u het armatuur verkoopt, voeg dan deze gebruiksaanwijzing bij.

Controleer de inhoud:

Controleer of de verpakking de volgende artikelen bevat:

- Gebruiksaanwijzing
- BT-STAGEPAR 6in1
- Filterframe

VEILIGHEIDSIINSTRUCTIES:



CAUTION
RISK OF ELECTRIC SHOCK
DO NOT OPEN



LET OP: Verwijder de bovenste afdekking niet, om het risico op elektrische schokken te verminderen. Er bevinden zich geen door de gebruiker te repareren onderdelen in het apparaat. Laat het onderhoud alleen door gekwalificeerd onderhoudspersoneel uitvoeren.



De bliksemschicht met pijlpunt in een gelijkzijdige driehoek is bedoeld om de gebruiker te waarschuwen voor de aanwezigheid van ongeïsoleerde "gevaarlijke spanning" binnen de behuizing van het apparaat, die van voldoende omvang is om een risico op elektrische schokken te vormen.



Het uitroepteken in een gelijkzijdige driehoek is bedoeld om de gebruiker te waarschuwen voor de aanwezigheid van belangrijke gebruiks- en onderhouds- (reparatie)aanwijzingen in de documentatie die bij dit apparaat is gevoegd.



Dit symbool betekent: alleen gebruik binnenshuis.



Dit symbool betekent: Lees de instructies



Dit symbool bepaalt: de minimale afstand tot verlichte voorwerpen. De minimale afstand tussen de lichtbron en het verlichte oppervlak moet meer dan 1 meter zijn.



Het apparaat is niet geschikt voor directe montage op normaal brandbare oppervlakken. (alleen geschikt voor montage op onbrandbare oppervlakken.)

RISK GROUP 2
CAUTION:
Do not stare at operating lamp

LET OP: Kijk niet naar een werkende lamp.
Dit kan schadelijk zijn voor de ogen.

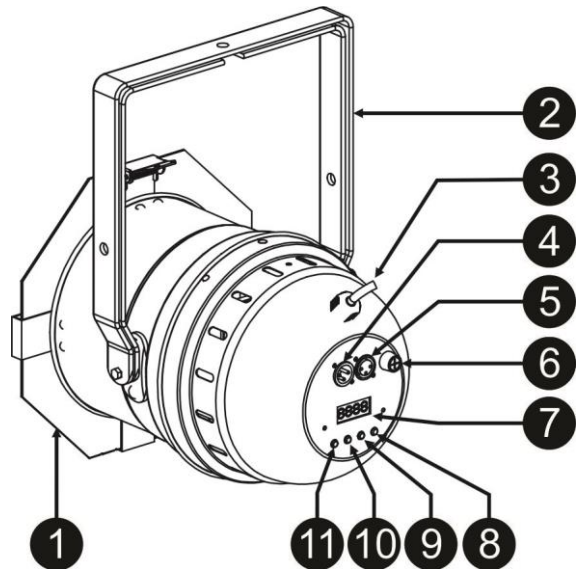
- Probeer ter bescherming van het milieu het verpakkingsmateriaal zoveel mogelijk te recyclen.
- Als het apparaat na transport in een warme ruimte wordt gebracht, wacht dan tot het is aangepast aan de omgevingstemperatuur, om te voorkomen dat er binnen het apparaat condens wordt gevormd. Condens kan soms verhinderen dat het apparaat op volle capaciteit werkt of kan zelfs schade veroorzaken.
- Zorg ervoor dat er geen metalen voorwerpen of vloeistoffen in het apparaat terechtkomen. Dit kan elektrische schokken of storing veroorzaken. Als er voorwerpen van buitenaf in het apparaat terechtkomen, haal dan onmiddellijk de stekker uit het stopcontact.
- Plaats het armatuur op een goed geventileerde plek, uit de buurt van brandbare materialen en/of vloeistoffen. Het armatuur moet op minstens 50 cm vanaf omringende muren worden bevestigd.
- Bedek geen ventilatieopeningen, omdat dit tot oververhitting kan leiden.
- Voorkom het gebruik in stoffige omgevingen en maak het apparaat regelmatig schoon.
- Houd het apparaat buiten het bereik van kinderen.
- Onervaren personen mogen dit apparaat niet bedienen.
- De maximale veilige omgevingstemperatuur is 40°C. Gebruik dit apparaat niet bij hogere omgevingstemperaturen.
- Zorg ervoor dat er zich tijdens takelen, onttakelen en onderhoud geen ongewenste personen in het gebied onder de installatieplaats bevinden.
- Laat het apparaat ongeveer 10 minuten afkoelen voordat u er onderhoud aan pleegt.
- Ontkoppel het apparaat altijd wanneer het voor een langere tijd niet wordt gebruikt of voordat er onderhoud aan wordt gepleegd.
- De elektrische installatie dient alleen door gekwalificeerd personeel en in overeenstemming met de voorschriften voor elektrische en mechanische veiligheid in uw land te worden uitgevoerd.
- Controleer of de beschikbare spanning niet hoger is dan op het apparaat is aangegeven.
- Het netsnoer dient altijd in perfecte staat te zijn. Schakel het apparaat onmiddellijk uit als het netsnoer is geplet of beschadigd. Het moet door de fabrikant, zijn vertegenwoordiger, of door een vergelijkbaar bevoegde persoon worden vervangen, om gevaar te vermijden.
- Laat het netsnoer nooit met andere kabels in contact komen!
- Dit armatuur moet worden geaard om aan de veiligheidsvoorschriften te voldoen.
- Sluit het apparaat niet aan op een dimmerpack.
- Gebruik bij het installeren van het apparaat altijd een geschikte en gecertificeerde veiligheidskabel.
- Open de afdekking niet, om elektrische schokken te voorkomen. Er bevinden zich geen door de gebruiker te repareren onderdelen in het apparaat.
- Repareer **nooit** een zekering en overbrug nooit de zekeringhouder. Vervang een kapotte zekering **altijd** met een zekering van hetzelfde type en met dezelfde elektrische specificaties!
- Als er zich ernstige problemen voordoen met de werking van het armatuur, gebruik het dan niet en neem onmiddellijk contact op met uw dealer.
- De behuizing en de lenzen moeten worden vervangen als ze zichtbaar zijn beschadigd.
- Gebruik de originele verpakking als het apparaat dient te worden vervoerd.
- Het is om veiligheidsredenen verboden om ongeautoriseerde modificaties aan het apparaat aan te brengen.

Belangrijk: Kijk nooit rechtstreeks in de lichtbron! Gebruik het effect niet in aanwezigheid van personen die aan epilepsie lijden.

BESCHRIJVING:

PROJECTOR

1. **FILTERFRAME:** kan voor allerlei optionele filters, zoals frostfilters (om de bundel breder te maken), worden gebruikt.
2. **DUBBELE BEUGEL:** met knop om het apparaat in de gewenste positie vast te zetten en een bevestigingsgat voor het bevestigen van een bevestigingshaak. Omdat het een dubbele beugel is, kan hij ook als vloerstandaard worden gebruikt.
3. **Netsnoer:** om het apparaat van stroom te voorzien.
4. **DMX-INGANG:** 3-pens mannelijke XLR-connector die wordt gebruikt om de projector aan te sluiten op de vorige eenheid in de DMX-keten.
5. **DMX-UITGANG:** 3-pens vrouwelijke XLR-connector die wordt gebruikt om de projector aan te sluiten op de volgende eenheid in de DMX-keten.
6. **Zekeringhouder:** Vervang een kapotte zekering altijd met een zekering van hetzelfde type en met dezelfde elektrische specificaties! (trage zekering 250 V 2 A)
7. **SCHERM** toont de verschillende menu's en de geselecteerde functies.
8. **NEER-toets:** voor het verlagen van de op het scherm weergegeven waarden.
9. **OP-toets:** voor het verhogen van de op het scherm weergegeven waarden.
10. **Toets ENTER:** wordt gebruikt om uw keuze te bevestigen of de installatiemodus van een functie te openen.
11. **Toets MODUS:** wordt gebruikt om door de verschillende functies in het menu te bladeren.



HOOG HIJSEN

- **Belangrijk:** De installatie mag alleen door gekwalificeerd onderhoudspersoneel worden uitgevoerd. Onjuiste installatie kan leiden tot ernstig letsel en/of schade aan goederen. Hoog hijsen vereist veel ervaring! Belastinglimieten dienen in acht te worden genomen; er dienen gecertificeerde installatiematerialen te worden gebruikt; het geïnstalleerde apparaat dient regelmatig te worden gecontroleerd op veiligheid.
- Zorg ervoor dat er zich tijdens takelen, onttakelen en onderhoud geen ongewenste personen in het gebied onder de installatieplaats bevinden.
- Plaats het armatuur op een goed geventileerde plaats, uit de buurt van brandbare materialen en/of vloeistoffen. Het armatuur moet **op minstens 50 cm** vanaf omringende muren worden bevestigd.
- Het apparaat dient buiten het bereik van mensen en buiten de gebieden waar personen kunnen lopen of zitten te worden geïnstalleerd.
- Controleer voor het hijsen of de installatieplaats een minimale puntbelasting van 10 keer het gewicht van het apparaat kan dragen.
- Gebruik bij het installeren van het apparaat altijd een gecertificeerde veiligheidskabel die 12 keer het gewicht van het apparaat kan dragen. Deze secundaire veiligheidsbevestiging dient op een zodanige wijze te worden geïnstalleerd dat er geen enkel onderdeel van de installatie meer dan 20 cm kan vallen als de hoofdbevestiging het begeeft.
- Het apparaat dient goed te worden bevestigd; een vrij slingerende montage is gevaarlijk en mag niet worden overwogen!
- Bedek geen ventilatieopeningen, omdat dit tot oververhitting kan leiden.
- De exploitant moet ervoor zorgen dat de aan veiligheid gerelateerde en machinetechnische installaties door een deskundige zijn goedgekeurd voordat deze voor de eerste keer in gebruik worden genomen. De installaties dienen jaarlijks door een vakman te worden geïnspecteerd, om er zeker van te zijn dat de veiligheid nog steeds optimaal is.



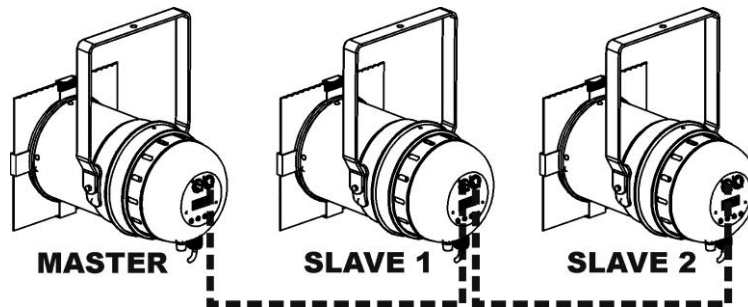
ELEKTRISCHE INSTALLATIE + ADRESSERING

⚠ Belangrijk: De elektrische installatie dient alleen door gekwalificeerd personeel en in overeenstemming met de voorschriften voor elektrische en mechanische veiligheid in uw land te worden uitgevoerd.

Master/Slave-modus:

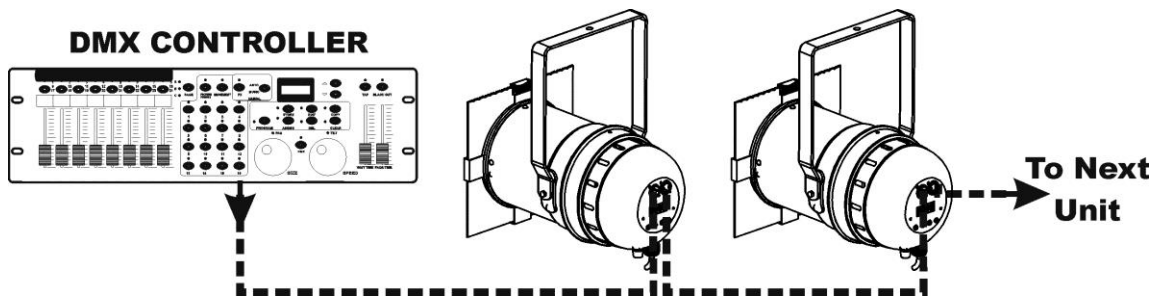
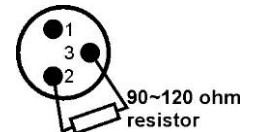
Sluit de projectors op elkaar aan, zoals in de tekening is aangegeven. Zie voor het installeren van de master de paragraaf "INSTALLATIEMENU". Alle slaves dienen te worden ingesteld in de SLAVE-modus. U kunt net zoveel slaves gebruiken als u wilt, onder de voorwaarde dat het totale stroomverbruik over de voedingskabel minder bedraagt dan 10 A (2300 W).

BELANGRIJK: zorg ervoor dat er geen DMX-controller is aangesloten. Dit heeft onverwacht gedrag tot gevolg!



Elektrische installatie voor twee of meer apparaten in DMX-modus:

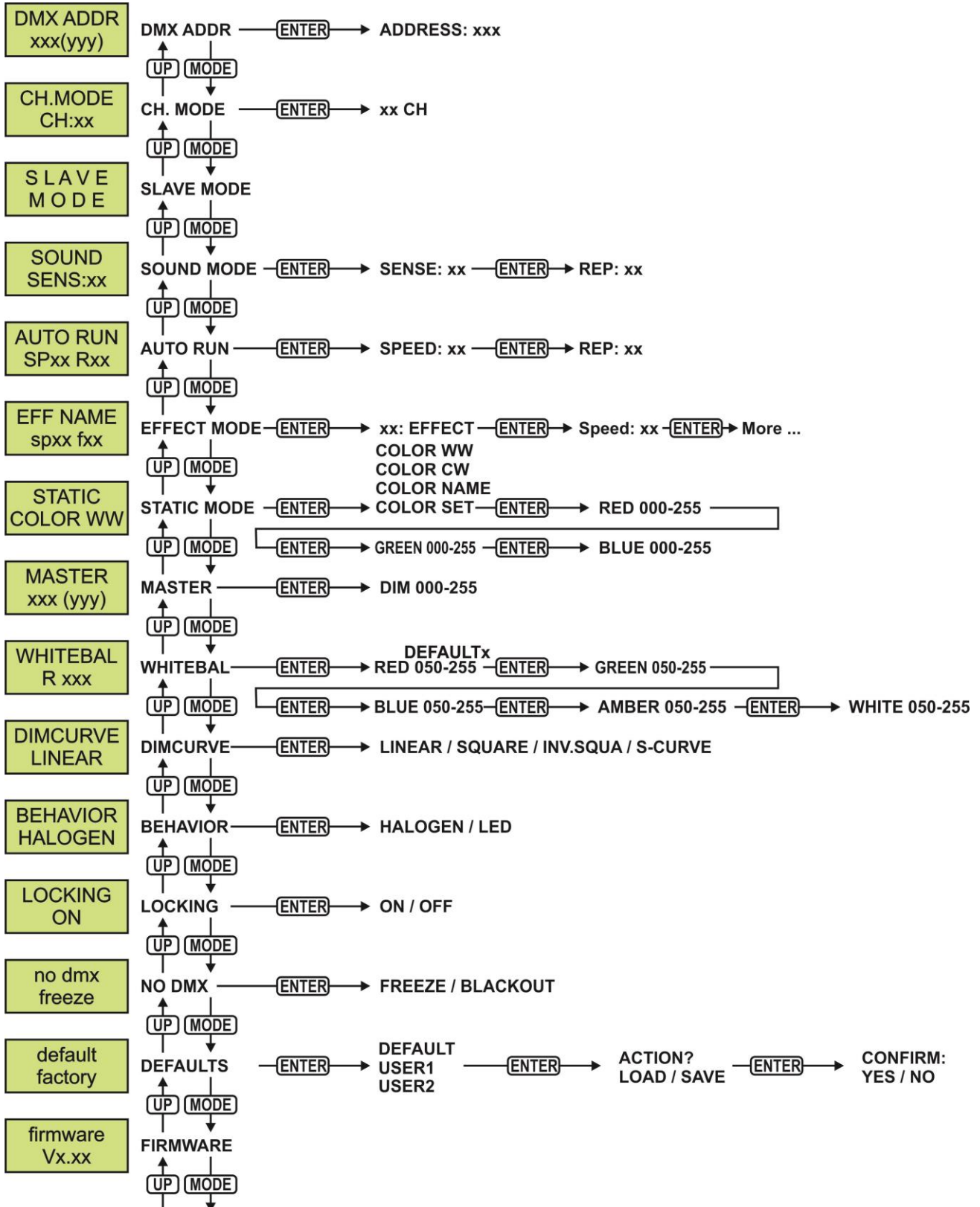
- Het DMX-protocol is een veel gebruikt hogesnelheidssignaal om intelligente lichtapparatuur aan te sturen. U moet uw DMX-controller en alle aangesloten apparaten met een goede kwaliteit gebalanceerde kabel aan elkaar doorkoppelen.
- Ter voorkoming van vreemd gedrag van de lichteffecten als gevolg van storingen, dient er aan het eind van de keten een terminator van 90 Ω tot 120 Ω te worden gebruikt. Gebruik nooit Y-splitterkabels, dit werkt gewoon niet!
- Zorg ervoor dat alle apparaten op het lichtnet zijn aangesloten.
- Elk lichteffect in de keten heeft het juiste startadres nodig, zodat het weet welke commando's van de controller het moet decoderen. In de paragraaf HOE TE INSTALLEREN leert u hoe de DMX-adressen kunt instellen. Als u bijvoorbeeld de 4-kanaals DMX-modus gebruikt, kan een mogelijke adresinstelling als volgt zijn: toestel1 = 001 ~ toestel2 = 005 ~ toestel3 = 009 ~ toestel4 = 013 ~ enz.



HOE TE INSTALLEREN:

Alle punten zijn voor beide modellen identiek, behalve voor de schermberichten: de schermen worden aan de linkerkant weergegeven.

- Druk om een menuoptie te selecteren net zolang de MODE-toets totdat de gewenste optie op het scherm wordt weergegeven, of gebruik de toetsen DOWN en UP om door het menu te bladeren menu.
- Selecteer de functie met de ENTER-toets.
- Gebruik de toetsen DOWN en UP om de waarden te wijzigen.
- Druk wanneer de gewenste waarde is geselecteerd de ENTER-toets om hem te bevestigen.



DMX-ADRES

Wordt gebruikt om het gewenste DMX-adres in te stellen.

- Druk de MODE-toets totdat de gewenste functie op het scherm wordt weergegeven.
- Druk de ENTER-toets: de waarden kunnen worden gewijzigd.
- Gebruik de toetsen DOWN en UP om het gewenste DMX512-adres in te stellen. Het laatstgebruikte DMX-adres wordt ook weergegeven: dit maakt het gemakkelijker om het adres van het volgende apparaat in de keten in te stellen.
- Druk zodra het juiste adres op het scherm wordt weergegeven de ENTER-toets om het op te slaan.

Opmerking: op RDM-compatibele controllers kan deze optie ook op afstand worden ingesteld.

KAN.MODUS

Wordt gebruikt om de gewenste kanaalmodus in te stellen.

- Druk de MODE-toets totdat de gewenste functie op het scherm wordt weergegeven.
- Druk de ENTER-toets: de waarden kunnen worden gewijzigd.
- Gebruik de toetsen DOWN en UP om de gewenste modus in te stellen
- Druk zodra de juiste optie op het scherm wordt aangegeven de ENTER-toets om hem op te slaan.

Opmerking: op RDM-compatibele controllers kan deze optie ook op afstand worden ingesteld.

SLAVEMODUS

Wordt gebruikt om de projector in de installatie voor master/slave als slave in te stellen.

- Druk op de MODE-toets totdat er SLAVE MODE op het scherm wordt weergegeven.

GELUIDMODUS

Wordt gebruikt om de gevoeligheid van de microfoon voor gebruik met de automatische geluidsmodus in te stellen.

- Houd de MENU-toets ingedrukt totdat **SOUND SENS** op het scherm wordt weergegeven.
- Druk op de ENTER-toets om te selecteren.
- Gebruik de toetsen DOWN en UP om de gevoeligheid van de ingebouwde microfoon te wijzigen (00 = minimale gevoeligheid, 31 = maximale gevoeligheid).
- Druk zodra de juiste gevoeligheid op het scherm wordt weergegeven, de ENTER-toets om dit te bevestigen.

AUTOMATISCH UITVOEREN

Als u deze functie selecteert doorloopt de projector automatisch al zijn geïntegreerde programma's. U kunt de programmasnelheid en het aantal keren dat ieder programma moet worden herhaald instellen.

- Druk op de MODE-toets totdat AUTO RUN op het scherm verschijnt.
- Druk de ENTER-toets. SP knippert: dit betekent dat u de snelheid van de automatische modus kunt instellen
- Gebruik de toetsen DOWN en UP om de gewenste snelheid te selecteren
- Druk de ENTER-toets. R (tempo) knippert: dit betekent dat u het aantal keren dat ieder programma moet worden herhaald kunt instellen.
- Gebruik de toetsen DOWN en UP om het gewenste tempo te selecteren
- Druk de ENTER-toets om dit te bevestigen.

EFFECTMODUS

Wordt bij gebruik als master gebruikt om de gewenste effectmodus in te stellen.

- Druk de MODE-toets totdat de gewenste functie op het scherm wordt weergegeven.
- Druk de ENTER-toets: de waarden kunnen worden gewijzigd.
- Gebruik de toetsen DOWN en UP om de gewenste modus te selecteren:
 - **COL.CH6** (KLEUR WIJZIGEN 6) de 6 kleuren wijzigen automatisch zonder fading.
 - **COL.CH30** (KLEUR WIJZIGEN 30) de 30 verschillende kleuren wijzigen automatisch zonder fading.
 - **COL.FADE** (KLEURFADEN) kleuren wijzigen met een mooi fadingeffect.
- Druk zodra de juiste optie op het scherm wordt aangegeven de ENTER-toets om hem op te slaan.
- Gebruik de toetsen DOWN en UP om de gewenste **weergavesnelheid**, tussen 01 (erg langzaam) en 99 (snel), te selecteren.
- Druk zodra de gewenste waarde op het scherm wordt weergegeven de ENTER-toets om hem op te slaan.
- Gebruik de toetsen DOWN en UP om de gewenste **stroboscoopsnelheid**, tussen 00 (GEEN stroboscoop) en 99 (snel), te selecteren.
- Druk zodra de gewenste waarde op het scherm wordt weergegeven de ENTER-toets om hem op te slaan.

STATISCHE KLEURMODUS

Wordt bij gebruik als master gebruikt om de gewenste vaste kleur in te stellen: 9 vooraf ingestelde kleuren + 1 kleur op maat.

- Druk de MODE-toets totdat de gewenste functie op het scherm wordt weergegeven.
- Druk de ENTER-toets: de waarden kunnen worden gewijzigd.
- Gebruik de toetsen DOWN en UP om de gewenste kleur te selecteren:
 - **COLOR WW** warm wit 3200K
 - **COLOR CW** warm wit 5600K
 - **RED**
 - **ORANGE**
 - **YELLOW**
 - **GREEN**
 - **CYAN**
 - **BLUE**
 - **PURPLE**
 - **STATIC SET** dit is een kleur die door de gebruiker kan worden ingesteld. Volg deze stappen:
- Druk de ENTER-toets: het scherm geeft de waarde (000 - 255) voor ROOD aan. (wijzigen met ± toetsen)
- Druk de ENTER-toets: het scherm geeft de waarde (000 - 255) voor GROEN aan. (wijzigen met ± toetsen)
- Herhaal de vorige stappen voor alle resterende kleuren totdat u de gewenste kleurmenging hebt verkregen.
- Druk de ENTER-toets om dit te bevestigen.

MASTER DIMMER

Wordt gebruikt om de master dimmer in te stellen als hij als master wordt gebruikt.

- Druk de MODE-toets totdat de gewenste functie op het scherm wordt weergegeven.
 - Druk de ENTER-toets: de waarden kunnen worden gewijzigd.
 - Gebruik de toetsen DOWN en UP om het gewenste niveau voor de master dimmer in te stellen. (merk op dat de laatst geselecteerde statische kleur wordt gebruikt om de waarde in te stellen)
 - Druk zodra u het gewenste niveau hebt de ENTER-toets om het op te slaan.
- Opmerking: de instelling van deze optie heeft GEEN invloed als de projector als SLAVE of in de DMX-modus wordt gebruikt.*

WITBALANS

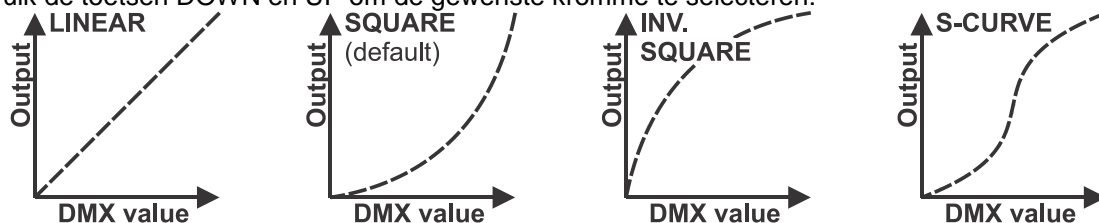
Wordt gebruikt om de witbalans in te stellen of de kleuren van diverse projectors op elkaar af te stemmen.

- Druk de MODE-toets totdat de gewenste functie op het scherm wordt weergegeven.
 - Druk de ENTER-toets: het scherm geeft de waarde (050 - 255) voor ROOD aan. (wijzigen met ± toetsen)
 - Druk de ENTER-toets: het scherm geeft de waarde (050 - 255) voor GROEN aan. (wijzigen met ± toetsen)
 - Herhaal deze stappen voor alle resterende kleuren totdat u de gewenste witbalans hebt verkregen.
 - Druk op ENTER om dit te bevestigen. De instellingen worden automatisch opgeslagen.
- Opmerking: de instelling van deze optie beïnvloedt alle kleurinstellingen, statische kleuren en DMX-gestuurde kleuren.*

DIMMERKROMME

Wordt gebruikt om de dimmerkromme van de master dimmer in te stellen.

- Druk de MODE-toets totdat de gewenste functie op het scherm wordt weergegeven.
- Druk de ENTER-toets: de waarden kunnen worden gewijzigd.
- Gebruik de toetsen DOWN en UP om de gewenste kromme te selecteren:



- Druk zodra u de gewenste kromme hebt de ENTER-toets om hem op te slaan.

GEDRAG VAN DE LAMP

Wordt gebruikt om de reactietijd van de projector te selecteren.

- Druk de MODE-toets totdat de gewenste functie op het scherm wordt weergegeven.
- Druk de ENTER-toets: de waarden kunnen worden gewijzigd.
- Gebruik de toetsen DOWN en UP om de gewenste modus in te stellen:
 - **LED** De projector voert de instructies direct, zonder vertraging uit.
 - **HALOGEN** De projector imiteert het gedrag van een traditionele halogeenlamp (langere reactietijd).
- Druk zodra de juiste optie op het scherm wordt aangegeven de ENTER-toets om hem op te slaan.

VERGRENDELMODUS

Wordt gebruikt om het instellingenmenu te vergrendelen tegen ongewenst wijzigen van de instellingen.

- Druk de MODE-toets totdat de gewenste functie op het scherm wordt weergegeven.
- Druk de ENTER-toets: de waarden kunnen worden gewijzigd.
- Gebruik de toetsen DOWN en UP om de gewenste modus in te stellen:
 - **OFF** Het installatiemenu kan op ieder moment worden gebruikt.
 - **ON** Na korte tijd wordt het installatiemenu automatisch vergrendeld; op het scherm wordt "LOCKED *****" weergegeven.
Ontgrendel het scherm door de toetsen in deze volgorde te drukken: **UP, DOWN, UP, DOWN, ENTER.**
- Druk zodra de juiste optie op het scherm wordt aangegeven de ENTER-toets om hem op te slaan.

GEEN DMX-GEDRAG

Wordt gebruikt om in te stellen hoe de projector reageert als het DMX-siginaal plotseling verdwijnt.

- Druk de MODE-toets totdat de gewenste functie op het scherm wordt weergegeven.
 - Druk de ENTER-toets: de waarden kunnen worden gewijzigd.
 - Gebruik de toetsen DOWN en UP om de gewenste modus in te stellen:
 - **BLACKOUT** De uitvoer wordt zwart als er geen DMX wordt waargenomen.
 - **FREEZE** De uitvoer van de projector wordt aangehouden op basis van het laatste geldige DMX-siginaal.
 - Druk zodra de juiste optie op het scherm wordt aangegeven de ENTER-toets om hem op te slaan.
- Opmerking: zodra de ingang een DMX-siginaal detecteert wordt de black-out- of freezemode geannuleerd.*

STANDAARD INSTELLINGEN

Dit is een noodoplossing als u de instellingen echt hebt verknoeid: keer gewoon terug naar de fabrieksinstellingen.

Er kunnen ook 2 gebruikersinstellingen worden opgeslagen/geladen.

- Druk de MODE-toets totdat de gewenste functie op het scherm wordt weergegeven.
- Druk de ENTER-toets: de waarden kunnen worden gewijzigd.
- Gebruik de toetsen DOWN en UP om de gewenste instellingen te selecteren:
 - **FACTORY**
 - **USER1**
 - **USER2**
- Druk de ENTER-toets:
 - Er werd **FACTORY** geselecteerd: op het scherm wordt "LOAD" weergegeven.
 - Druk de ENTER-toets. Op het scherm wordt "CONFIRM?" weergegeven.
 - Gebruik de toetsen DOWN en UP om YES/NO te selecteren.
 - Druk de ENTER-toets om dit te bevestigen.
 - Er werd **USER1/USER2** geselecteerd: op het scherm wordt "ACTION?" weergegeven.
 - Gebruik de toetsen DOWN en UP om LOAD/SAVE te selecteren
 - Druk de ENTER-toets om de keuze te bevestigen: op het scherm wordt "CONFIRM?" weergegeven.
 - Gebruik de toetsen DOWN en UP om YES/NO te selecteren.
 - Druk de ENTER-toets om dit te bevestigen.
 - Er is **SAVE** geselecteerd: de huidige instellingen van het installatiemenu worden in het geheugen opgeslagen.
 - Er is **LOAD** geselecteerd: de eerder opgeslagen instellingen worden geladen.

FIRMWAREVERSIE

Wordt gebruikt om de huidige versie van de firmware te tonen.

- Houd de MODE-toets ingedrukt totdat de FIRMWARE op het scherm wordt weergegeven.

De firmware van dit apparaat kan worden opgewaardeerd door gebruik te maken van Windows® software en een speciaal hulpprogramma voor het opwaarderen. (apart verkrijgbaar bij Briteq).

Wanneer de projector wordt ingeschakeld wordt er op het scherm "UPDATE Wait ..." weergegeven. Zolang het bericht op het scherm wordt weergegeven kunt u het opwaarderen starten of ons speciale hulpprogramma voor opwaarderen gebruiken. U kunt hierover meer informatie vinden in de gebruiksaanwijzing, het hulpprogramma voor opwaarderen en/of onze website: **www.briteq-lighting.com**

RDM-FUNCTIES / INSTELLING OP AFSTAND

RDM betekent "Remote Device Management" (Apparatenbeheer op afstand). Deze projector werkt met een beperkte set RDM-functies, wat betekent dat hij een tweerichtingscommunicatie met een RDM-compatibele DMX-controller tot stand kan brengen. Enkele van deze functies worden hieronder kort uitgelegd, andere functies worden in de toekomst toegevoegd.

- De DMX-controller stuurt een "identificatiecommando", alle RDM-apparaten reageren en sturen hun uniek apparaat-ID.
- De DMX-controller vraagt elk RDM-apparaat om bepaalde algemene gegevens zodat het kan identificeren welke apparaten zijn aangesloten. De projector antwoordt:
 - **Naam van het apparaat:** de feitelijke naam van het apparaat.
 - **Fabrikant:** Briteq®
 - **Categorie:** LED-dimmer
 - **Firmware:** x.x.x.x (firmwareversie van de projector)
 - **DMX-adres::** xxx (huidig DMX-startadres van de projector)
 - **DMX-aantal:** xx (aantal DMX-kanalen dat door de projector wordt gebruikt)
 - **Persoonlijkheid:** xx (huidige persoonlijkheid [of DMX-bedrijfsmodus] die door de projectors wordt gebruikt)
- De DMX-controller kan bepaalde commando's naar elk RDM-apparaat sturen om de apparaten op afstand in te stellen. Hierdoor kan de installatie van de projectors op afstand worden uitgevoerd.

De volgende functies kunnen op afstand worden beheerd:

Er is geen ladder meer nodig om alle apparaten één voor één in te stellen!

- **DMX-STARTADRES:** Het startadres kan op afstand worden ingesteld van 001 tot xxx.
- **PERSOONLIJKHEID:** De DMX-bedrijfsmodus (DMX-tabel) kan op afstand worden ingesteld.

Deze 2 functies maken het mogelijk om voor alle projectors op de DMX-controller een complete DMX-patch voor te bereiden en deze gegevens gelijktijdig naar alle projectors te sturen. Er worden in de toekomst meer functies toegevoegd.

GEBRUIKSAANWIJZING

Opmerking: wanneer de projector wordt ingeschakeld wordt er op het scherm "UPDATE WAIT ..." weergegeven. Dit bericht informeert u dat INDIEN u de firmware wilt opwaarderen, dat u dit dient te doen terwijl dit bericht op het scherm wordt weergegeven. U kunt dit bericht bij normaal gebruik volledig negeren.

A. Standalone 1 apparaat:

- Sluit gewoon de projector aan op het lichtnet.
- Selecteer een van de automatische, geluids- of statische standen.
- Lees de sectie HOE TE INSTALLEREN voor meer informatie over deze instellingen.

B. Twee of meer apparaten in een master-/slave-installatie:

- Sluit alle apparaten op elkaar aan. Raadpleeg het hoofdstuk "elektrische installatie" om te leren hoe u dit dient te doen.
- Selecteer een van de automatische, geluids- of statische standen op de master (de eerste projector in de DMX-keten).
- Stel alle andere projectors in op SLAVE-modus
- De projectors volgen nu de programmering van de master-projector en werken dus allemaal gesynchroniseerd.

C. Wordt aangestuurd via de universele DMX-controller:

- Sluit alle apparaten op elkaar aan. Raadpleeg het hoofdstuk "Elektrische installatie voor twee of meer apparaten in de DMX-modus" om te leren hoe u dit dient te doen (vergeet niet om alle apparaten juist te adresseren!)
- Sluit alle apparaten aan op het lichtnet en zet de DMX-regelaar aan.

Aangezien elk apparaat een eigen DMX-adres heeft, kunt u ze individueel bedienen. Onthoud dat ieder apparaat een verschillend aantal DMX-kanalen kan gebruiken, afhankelijk van de DMX-modus die u in het menu hebt geselecteerd. Zie de verschillende DMX-tabellen hieronder:

1-kanaals DMX-Modus: Wit

Kanaal:	Waarde:	Functie:	Opmerkingen
1	000-255	R+G+B+W+A (0-100%)	

2-kanaals DMX-Modus: Wit en UV

Kanaal:	Waarde:	Functie:	Opmerkingen
1	000-255	R+G+B+W+A dimmer (0-100%)	
2	000-255	UV-dimmer (0-100%)	

3-kanaals DMX-Modus: Wit, UV en stroboscoop

Kanaal:	Waarde:	Functie:	Opmerkingen
1	000-255	R+G+B+W+A dimmer (0-100%)	
2	000-255	UV-dimmer (0-100%)	
3	000-255	Stroboscoopsnelheid	Van traag naar snel

3+ kanaals DMX-modus: Koud wit tot warm wit en UV

Kanaal:	Waarde:	Functie:	Opmerkingen
1	000-255	Master dimmer (0-100%)	Uitsluitend voor de witte kleur
2	000-255	Kleurtemperatuur voor wit	3200 K tot 10000 K
3	000-255	UV-dimmer (0-100%)	

4-kanaals DMX-Modus: R-G-B + MASTER DIMMER/STROBOSCOOP

Opmerking: Deze modus kan met de LEDCON-02 Mk2 van JB Systems worden gebruikt.

Kanaal:	Waarde:	Functie:	Opmerkingen
1	000-255	Rood (0-100%)	
2	000-255	Groen (0-100%)	
3	000-255	Blauw (0-100%)	
4	000-190	Master dimmer	000=0% ~ 200=100% (volledig open)
	191-200	Volg geluid	
	201-247	Stroboscoop	Verhogen snelheid: 201=traag ~ 247=snel
	248-255	Master dimmer @ 100%	Master dimmer is volledig open

8-kanaals DMX-Modus: R-G-B-W-UV + MASTER DIMMER + STROBOSCOOPREGELING

Kanaal:	Waarde:	Functie:	Opmerkingen
1	000-255	Rood (0-100%)	
2	000-255	Groen (0-100%)	
3	000-255	Blauw (0-100%)	
4	000-255	Wit (0-100%)	
5	000-255	Amber (0-100%)	
6	000-255	UV (0-100%)	
7	000-255	Master dimmer	
8	000	Stroboscoop Uit	
	001-005	Geluidsaansturing	
	006-010	Stroboscoop Uit	
	011-255	Stroboscoopsnelheid	Snel (011) naar langzaam (255)

9-kanaals DMX-Modus: R-G-B-W-UV + MASTER DIMMER + STROBOSCOOPREGELING + KLEURENMACRO'S

Kanaal:	Waarde:	Functie:	Opmerkingen
1	000-255	Rood (0-100%)	
2	000-255	Groen (0-100%)	
3	000-255	Blauw (0-100%)	
4	000-255	Wit (0-100%)	
5	000-255	Amber (0-100%)	
6	000-255	UV (0-100%)	
7	000-255	Master dimmer	
8	000	Stroboscoop Uit	
	001-005	Geluidsaansturing	
	006-010	Stroboscoop Uit	
	011-255	Stroboscoopsnelheid	Snel (011) naar langzaam (255)
9	000-007	Normale kleurmenging	Gebruik kanalen 1 tot 6.
	008-255	Kleurenmacro's	Er zijn 30 vooraf geïnstalleerde kleuren beschikbaar

9+ kanaalmodus:

R-G-B-W-UV + MASTER DIMMER + STROBOSCOOPREGELING + VOORGEPROGRAMMEERDE SHOWS

Kanaal:	Waarde:	Functie:	Opmerkingen
1	000-255	Master dimmer	
2	000-007	AAN/Open	
	008-037	Willekeurige stroboscoop	
	038-067	Geluidstroboscoop	
	068-255	Stroboscoopsnelheid: Langzaam naar snel	
	000-007	Geen speciale functie	
3	008-247	Kleurfading	Langzaam naar snel
	248-255	Volg geluid	
4	000-255	Rood (0-100%)	
5	000-255	Groen (0-100%)	
6	000-255	Blauw (0-100%)	
7	000-255	Wit (0-100%)	
8	000-255	Amber (0-100%)	
9	000-255	UV (0-100%)	

ONDERHOUD

- Zorg ervoor dat het gebied onder de installatieplaats tijdens takelen, onttakelen en onderhoud vrij is van ongewenste personen.
- Schakel het apparaat uit, ontkoppel het netsnoer en wacht totdat het apparaat is afgekoeld.

Tijdens de inspectie dienen de volgende punten te worden gecontroleerd:

- Alle voor de bevestiging van het apparaat en zijn onderdelen gebruikte schroeven dienen goed vast te zitten en mogen niet zijn gecorrodeerd.
- Behuizingen, bevestigingen en installatieplaatsen (plafond, truss, ophangingen) moeten volledig vrij van vervorming zijn.
- Wanneer een optische lens zichtbaar is beschadigd als gevolg van scheuren of diepe krassen, moet hij worden vervangen.
- De netsnoeren moeten in perfecte conditie zijn en onmiddellijk worden vervangen wanneer er ook maar een klein probleem wordt ontdekt.
- Om het apparaat tegen oververhitting te beschermen moeten de ventilatoren (indien aanwezig) en ventilatieopeningen maandelijks worden gereinigd.
- Het reinigen van de interne en externe optische lenzen en/of spiegels moet regelmatig worden uitgevoerd om de lichtopbrengst te optimaliseren. De frequentie van reiniging hangt af van de omgeving waarin het armatuur werkt: een vochtige, rokerige of bijzonder vuile omgeving kan leiden tot een grotere opeenhoping van vuil op de optiek van het apparaat.
 - Reinig met een zachte doek en gebruik hierbij normale reinigingsmiddelen voor glas.
 - Droog de onderdelen altijd zorgvuldig.

Opgelet: Wij raden nadrukkelijk aan om het inwendig reinigen door gekwalificeerd personeel uit te laten voeren!

SPECIFICATIES

Lichtnetspanning:	110-250 V wisselspanning, 50/60 Hz
Opgenomen vermogen:	Maximaal 120 Watt
Zekering:	250V 2A trage zekering (20mm glas)
Geluidsaansturing:	Ingebouwde microfoon
DMX-aansluitingen:	XLR 3-pens
DMX-modi:	1 kan, 2 kan, 3 kan, 3+ kan, 4 kan, 8 kan, 9 kan, 9+ kan
LED's:	12 stuks 12 W "6in1" LED's (rood, groen, blauw, wit, amber, UV)
Bundelhoek:	25°
Afmetingen:	300 x 275 x 300 mm
Gewicht:	3,5 kg

De informatie kan zonder voorafgaande kennisgeving worden gewijzigd

U kunt de nieuwste versie van deze handleiding downloaden van onze website: www.briteq-lighting.com

BEDIENUNGSANLEITUNG

Vielen Dank für den Kauf dieses Briteq®-Produkts. Bitte lesen Sie diese Bedienungshinweise vor der Inbetriebnahme sorgfältig durch, um alle Möglichkeiten des Geräts voll nutzen zu können, sowie zu Ihrer eigenen Sicherheit.

EIGENSCHAFTEN

Dieses Gerät ist funkentstört. Das Gerät entspricht den aktuellen europäischen Anforderungen und nationalen Richtlinien. Die Konformität wurde nachgewiesen und die entsprechenden Erklärungen und Unterlagen liegen beim Hersteller vor.

Dieses Gerät wird zur Erzeugung von dekorativen Beleuchtungseffekten in Lichtshows eingesetzt.

- Hochleistungs-LED PARCAN, ideal für Verleiher, Diskotheken, DJs usw.
- Kräftiger 25° Strahl durch den Einsatz 12 leistungsstarker 12 W „6 in 1“-LEDs (Rot, Grün, Blau, Weiß, Bernsteinfarben, UV) in einer klassischen PAR-Armatur.
- Alle erdenklichen Farbkombinationen sind möglich, einschließlich Schwarzlicht UV-Effekt!
- Ausgezeichnete RGB-Farbmischung und Dimmen bis zu 0%.
- Alphanumerisches LCD-Display mit Hintergrundbeleuchtung zur Auswahl der verschiedenen Optionen des Setupmenüs.
- Wählbares Lampenverhalten: Halogenlampe (langsam) oder LED (schnell)
- Vier Dimmerkurven: Linear, quadratisch, invers quadratisch, S-Kurve
- Im Falle eines DMX-Ausfalls können Sie zwischen Blackout- und Freeze-Modus wählen.
- Sperrfunktion zum Vermeiden unerwünschter Änderungen an den Einstellungen.
- Arbeitet eigenständig und in einer Master/Slave-Konfiguration:
 - Erzeugen Sie Ihre statische feste Farbe
 - Automatische weiche Farbfades mit manueller Geschwindigkeitssteuerung
 - Automatischer Farbwechsler mit manueller Geschwindigkeitssteuerung
 - Musikgesteuerter Farbwechsler mit manueller Empfindlichkeitssteuerung für das integrierte Mikrofon
- Über DMX steuerbar: 8 unterschiedliche Modi sind verfügbar:
 - 1-Kanal DMX-Modus: Weißer Dimmer
 - 2-Kanal DMX-Modus: Weißer und UV-Dimmer
 - 3-Kanal DMX-Modus: Weißer Dimmer, UV-Dimmer, Stroboskop
 - 3+ -Kanal DMX-Modus: Weißer Dimmer, Weiße Farbtemperaturauswahl, Stroboskop
 - 4-Kanal DMX-Modus: Rot, Grün, Blau, allgemeiner Dimmer/Stroboskop/Sound-Chase
 - 8-Kanal DMX-Modus: Rot, Grün, Blau, Weiß, Bernsteinfarben, UV, Master-Dimmer, Stroboskopsteuerung
 - 9-Kanal DMX-Modus: Rot, Grün, Blau, Weiß, Bernsteinfarben, UV, Master-Dimmer, Stroboskopsteuerung, Farbmakro
 - 9+ -Kanal DMX-Modus: Master-Dimmer, Stroboskop, Geschwindigkeit des Farbfaders/Sound-Chase, Rot, Grün, Blau, Weiß, Bernsteinfarben, UV
- RDM-Funktionalität für einfache Ferneinstellung: DMX-Adressierung, Kanal-Modus ...
- Weißabgleich für optimale Anpassung der Farben mehrerer Projektoren.
- Werkseinstellungen und 2 Benutzereinstellungen können gespeichert oder geladen werden.

VOR DER ERSTBENUTZUNG

- Vor der Erstbenutzung das Gerät zuerst auf Transportschäden überprüfen. Sollte das Gerät einen Schaden aufweisen, benutzen Sie es nicht, sondern wenden Sie sich unverzüglich an Ihren Händler.
- **Wichtig:** Dieses Gerät hat das Werk unbeschädigt und gut verpackt verlassen. Es ist wichtig, dass der Benutzer sich streng an die Sicherheitshinweise und Warnungen in der Bedienungsanleitung hält. Schäden durch unsachgemäße Handhabung sind von der Garantie ausgeschlossen. Der Händler übernimmt keine Verantwortung für Schäden, die durch Nichtbeachtung der Bedienungsanleitung entstanden sind.
- Die Bedienungsanleitung zum zukünftigen Nachschlagen bitte an einem sicheren Ort aufbewahren. Bei Verkauf oder sonstiger Weitergabe des Gerätes, bitte Bedienungsanleitung beifügen.

Packungsinhalt prüfen:

Bitte überprüfen Sie, ob die Verpackung folgende Artikel enthält:

- Bedienungsanleitung
- BT-STAGEPAR 6in1
- Filterrahmen

SICHERHEITSHINWEISE:

ACHTUNG: Um sich nicht der Gefahr eines elektrischen Schlags auszusetzen, entfernen Sie nicht die obere Abdeckung. Im Geräteinneren befinden sich keine vom Benutzer wartbaren Teile. Überlassen Sie Reparatur- und Wartungsarbeiten dem qualifizierten Kundendienst.



Das Blitzsymbol innerhalb eines gleichseitigen Dreiecks warnt den Benutzer vor nicht isolierter „gefährlicher Spannung“ im Innern des Produktgehäuses, die so stark sein kann, dass für Personen die Gefahr von Stromschlägen besteht.



Das Ausrufezeichen im Dreieck weist den Benutzer auf wichtige Bedienungs- und Wartungshinweise in den Dokumenten hin, die dem Gerät beiliegen.



Dieses Symbol bedeutet: Nur für den Einsatz im Innenbereich.



Dieses Symbol bedeutet: Die Bedienungsanleitung lesen.



Dieses Symbol legt fest: Den minimalen Abstand von beleuchteten Objekten. Der minimale Abstand zwischen Projektor und dem beleuchteten Objekt muss mehr als 1 Meter betragen.



Das Gerät eignet sich nicht für die direkte Montage auf gängigen entflammaren Oberflächen. (Nur für die Montage auf nicht-brennbaren Oberflächen geeignet)



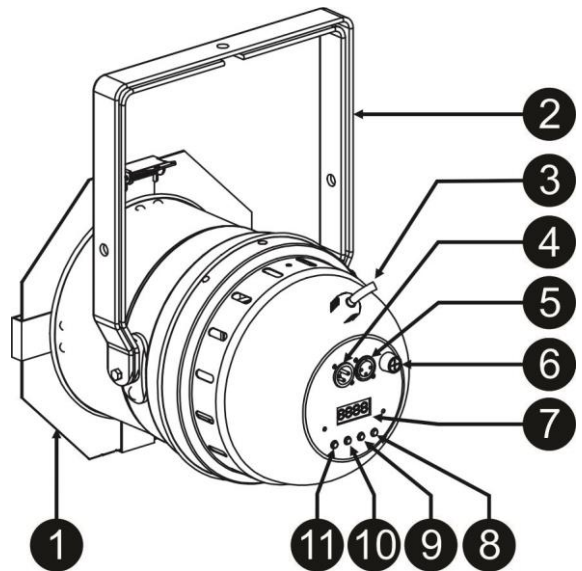
ACHTUNG: Nicht direkt in die Lichtquelle blicken. Das kann für die Augen schädlich sein.

- Aus Umweltschutzgründen die Verpackung bitte wiederverwenden oder richtig trennen.
- Zur Vermeidung von Kondensation im Inneren des Geräts bitte nach dem Transport in eine warme Umgebung einige Zeit zum Temperatúrausgleich ausgeschaltet stehen lassen. Kondensation kann zu Leistungsverlust des Geräts oder gar Beschädigungen führen.
- Keine Metallgegenstände oder Flüssigkeiten ins Innere des Geräts gelangen lassen. Ein Kurzschluss oder eine Fehlfunktion können die Folge sein. Falls es doch einmal vorkommen sollte, bitte sofort den Netzstecker ziehen und vom Stromkreis trennen.
- Das Gerät nur an einem gut belüfteten Ort und entfernt von entflammaren Materialien oder Flüssigkeiten aufstellen. Das Gerät muss mindestens 50 cm von allen umgebenden Wänden entfernt montiert werden.
- Die Ventilationsöffnungen nicht abdecken, da Überhitzungsgefahr!
- Nicht in staubiger Umgebung verwenden und regelmäßig reinigen.
- Für Kinder unerreichbar aufbewahren.
- Unerfahrene Personen dürfen das Gerät nicht bedienen.
- Umgebungstemperatur darf 40°C nicht überschreiten. Das Gerät bei höheren Raumtemperaturen nicht verwenden.
- Stellen Sie sicher, dass sich während des Auf- oder Abbaus und der Wartung keine unbefugten Personen unterhalb des Geräts befinden.
- Lassen Sie das Gerät etwa 10 Minuten abkühlen, bevor Sie mit der Wartung beginnen.
- Stets den Netzstecker ziehen, wenn das Gerät für einen längeren Zeitraum nicht genutzt oder es gewartet wird.
- Die elektrische Installation darf nur von qualifiziertem Personal, unter Beachtung der Vorschriften zur elektrischen und mechanischen Sicherheit in Ihrem Land durchgeführt werden.
- Stellen Sie sicher, dass Netzspannung mit Geräteaufkleber übereinstimmt.
- Das Gerät nicht mit einem beschädigten Netzkabel in Betrieb nehmen. Wenn das Netzkabel gequetscht oder beschädigt wurde, schalten Sie das Gerät sofort aus. Im Falle von Beschädigungen muss das Netzkabel vom Hersteller, einem autorisierten Kundendienstmitarbeiter oder einer ähnlich qualifizierten Person ersetzt werden, um Gefährdungen zu vermeiden.
- Lassen Sie das Netzkabel niemals mit anderen Kabeln in Berührung kommen!
- Zur Einhaltung der Sicherheitsbestimmungen muss das Gerät geerdet sein.
- Das Gerät nicht an einen Dimmer anschließen.
- Ausschließlich vorschriftsmäßige und zugelassene Sicherheitskabel zur Installation verwenden.
- Zur Vorbeugung gegen elektrische Schläge keine Abdeckungen entfernen. Im Geräteinneren befinden sich keine zu wartenden Teile.
- Eine Sicherung **niemals** reparieren oder überbrücken. Eine durchgebrannte Sicherung **immer** durch eine Sicherung gleichen Typs und mit gleichen elektrischen Spezifikationen ersetzen!
- Bei Fehlfunktion das Gerät nicht benutzen und sich mit dem Händler in Verbindung setzen.
- Bei sichtbaren Beschädigungen müssen Gehäuse und Optik ersetzt werden.
- Bei Transport bitte die Originalverpackung verwenden, um Schäden am Gerät zu vermeiden.
- Aus Sicherheitsgründen dürfen an dem Gerät keine unbefugten Veränderungen vorgenommen werden.

Wichtig: Nicht direkt in die Lichtquelle blicken! Das Gerät nicht verwenden, wenn sich Personen im Raum befinden, die unter Epilepsie leiden.

BESCHREIBUNG:**PROJEKTOR**

1. **FILTERRAHMEN:** kann für alle Typen optionaler Filter benutzt werden, wie Frostfilter (um den Strahl zu verbreitern).
2. **DOPPELBÜGEL:** mit Rändelschraube zur Befestigung des Geräts in der gewünschten Stellung und einer Montageöffnung zur Befestigung einer Sparrenklemme. Da es sich um einen Doppelbügel handelt, kann er auch als Bodenstandfuß benutzt werden.
3. **NETZKABEL:** zur Stromversorgung des Geräts.
4. **DMX EINGANG:** Die 3-polige XLR-Steckerbuchse verbindet den Projektor mit der nächsten Einheit der DMX-Kette.
5. **DMX-AUSGANG:** Die 3-polige XLR-Buchse verbindet den Projektor mit der nächsten Einheit der DMX-Kette.
6. **Sicherungshalter:** Eine durchgebrannte Sicherung immer durch eine Sicherung gleichen Typs und mit gleichen elektrischen Spezifikationen ersetzen! (250 V, 2 A träge)
7. Das **DISPLAY** zeigt die verschiedenen Menüs und die gewählten Funktionen an.
8. **ABWÄRTS-Taste:** Verringern der auf dem Display angezeigten Werte.
9. **AUFWÄRTS-Taste:** Erhöhen der auf dem Display angezeigten Werte.
10. **ENTER-Taste:** Bestätigen Ihrer Auswahl oder um den Setupmodus einer Funktion aufzurufen.
11. **MODUS-Taste:** Scrollen in den verschiedenen Funktionen im Menü.

**ÜBERKOPF-MONTAGE**

- **Wichtig:** Die Montage ausschließlich durch qualifiziertes Fachpersonal durchführen lassen. Unvorschriftsmäßiger Einbau kann erhebliche Verletzungen und/oder Schäden verursachen. Die Überkopf-Montage setzt die entsprechende Erfahrung voraus! Die Belastungsgrenzen müssen beachtet, geeignetes Installationsmaterial muss verwendet und das installierte Gerät muss in regelmäßigen Abständen überprüft werden.
- Stellen Sie sicher, dass sich während des Auf- oder Abbaus und der Wartung keine unbefugten Personen unterhalb des Geräts befinden.
- Das Gerät nur an einem gut belüfteten Ort und entfernt von entflammaren Materialien und/oder Flüssigkeiten aufstellen. Das Gerät muss **mindestens 50 cm** von allen umgebenden Wänden entfernt montiert werden.
- Das Gerät außerhalb der Reichweite von Personen und nicht in niedrigen Durchgängen oder in der Nähe von Sitzgelegenheiten installieren.
- Vor Montage sicherstellen, dass die gewählte Position wenigstens das 10-fache Gerätegewicht aufnehmen kann.
- Zur Aufhängung stets geeignetes Befestigungsmaterial verwenden, welches das 12-fache Gerätegewicht aushalten kann. Eine zweite Sicherheitsaufhängung muss angebracht werden, die ein Absacken des Geräts von mehr als 20 cm verhindert, sollte die Befestigung brechen.
- Das Gerät gut befestigen. Eine freischwingende Aufhängung ist gefährlich und sollte auf gar keinen Fall in Betracht gezogen werden!
- Die Ventilationsöffnungen nicht abdecken, da Überhitzungsgefahr!
- Der Betreiber muss sicherstellen, dass die sicherheitsrelevanten und technischen Installationen vor Erstbetrieb fachmännisch vorgenommen worden sind. Installationen sollten jährlich durch qualifiziertes Fachpersonal überprüft werden, um jederzeit einen sicheren Betrieb zu gewährleisten.



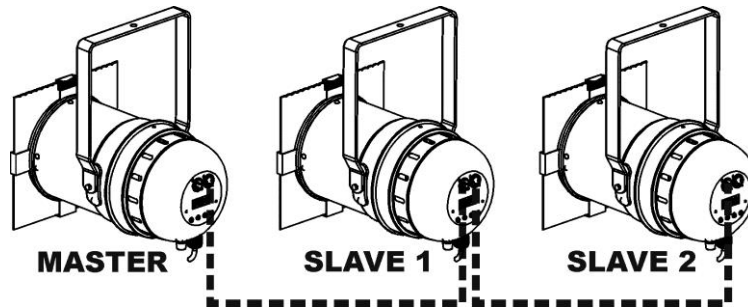
ELEKTROINSTALLATION + ADRESSIERUNG

⚠ Wichtig: Die elektrische Installation darf nur von qualifiziertem Personal, unter Beachtung der Vorschriften zur elektrischen und mechanischen Sicherheit in Ihrem Land durchgeführt werden.

Master/Slave-Modus:

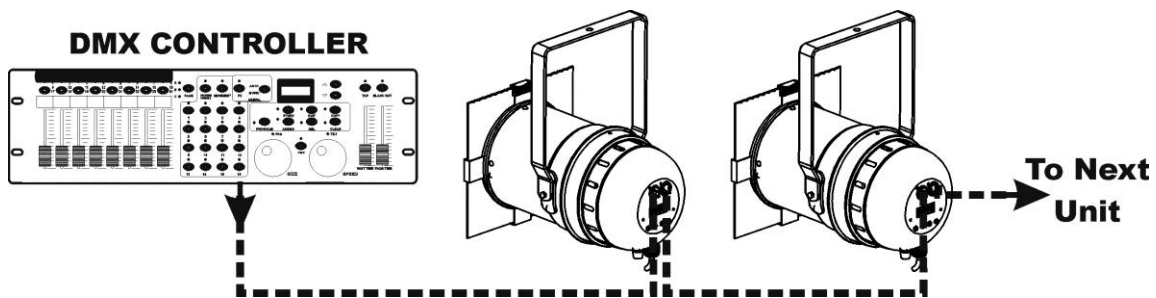
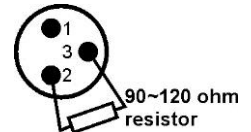
Schließen Sie die Projektoren wie in der Zeichnung dargestellt an. Um den Master einzurichten, finden Sie im Absatz „SETUPMENÜ“ weitere Informationen. Alle Slaves muss auf den SLAVE-Modus eingestellt werden. Sie können beliebig viele Slaves einschalten, aber nur unter der Bedingung, dass der Gesamtstrom des Netzverkettung unterhalb von 10 A (2300 W) liegt.

WICHTIG: Achten Sie darauf, dass kein DMX-Controller angeschlossen wurde. Dies führt zu einem unerwarteten Verhalten!



Elektrische Installation von zwei oder weiteren Geräten im DMX-Modus:

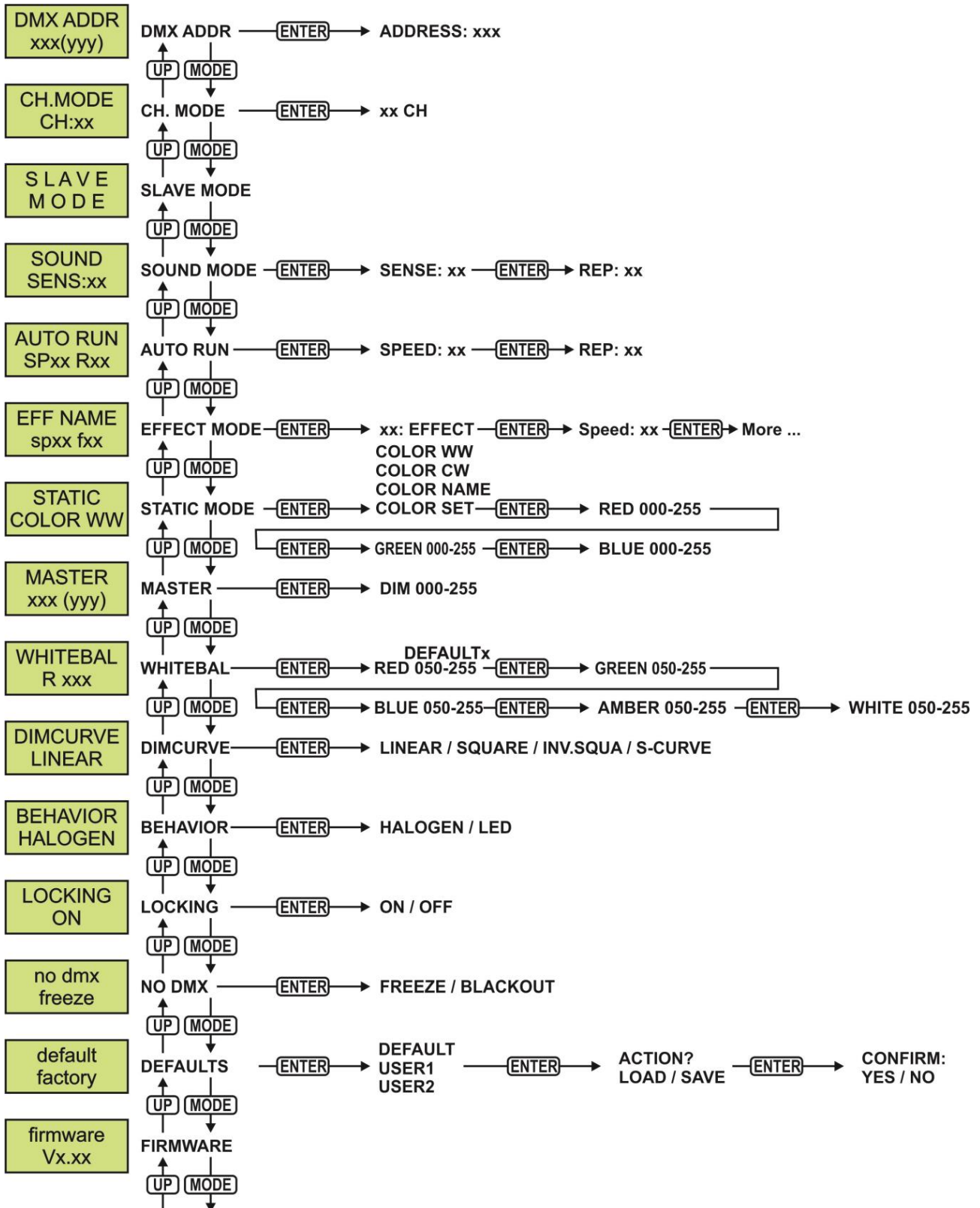
- Das DMX-Protokoll ist ein gängiges Hochgeschwindigkeitssignal zur Steuerung von intelligenten Lichtsystemen. Sie müssen Ihren DMX-Controller und alle angeschlossenen Geräte mit einem hochwertigen symmetrischen Kabel hintereinander schalten (Daisy Chain).
- Zur Verhinderung von unerwünschten Lichteffekten durch Störungen muss die Kette mit einem 90 Ω bis 120 Ω Abschlusswiderstand abgeschlossen werden. Verwenden Sie niemals Y-Splitter-Kabel, das funktioniert einfach nicht!
- Achten Sie darauf, dass alle Geräte an die Netzversorgung angeschlossen sind.
- Jeder Lichteffekt in der Kette muss seine eigene Startadresse haben, damit er erkennt, welche Befehle des Controllers er entschlüsseln muss. In Abschnitt „EINSTELLUNGSANLEITUNG“ erfahren Sie, wie man die DMX-Adressen einstellt. Wenn Sie beispielsweise den 4-Kanal DMX-Modus verwenden, lautet eine mögliche Adresseneinrichtung: Einheit1 = 001, Einheit2 = 005, Einheit3 = 009, Einheit4 = 013 usw.



EINRICHTUNGSANLEITUNG:

Bei beiden Modellen sind alle Punkte identisch, mit Ausnahme der Displaymeldungen: Die Meldungen sind auf der linken Seite dargestellt.

- Drücken Sie zur Auswahl einer der Funktionen die Taste MODE, bis die gewünschte Funktion auf dem Display gezeigt wird oder blättern Sie mit den Tasten DOWN und UP durch die Menüs.
- Wählen Sie die Funktion mit ENTER.
- Sie können die Werte mit den Tasten DOWN und UP ändern.
- Wenn der gewünschte Wert ausgewählt wurde, bestätigen Sie ihn mit ENTER.



DMX-ADRESSE

Stellt die gewünschte DMX-Adresse ein.

- Drücken Sie MODE, bis die gewünschte Funktion im Display angezeigt wird.
- Drücken Sie die ENTER-Taste: Die Werte können geändert werden.
- Wählen Sie nun mit den Tasten DOWN und UP die gewünschte DMX512-Adresse. Die letzte belegte DMX-Adresse wird auch angezeigt: Dies macht es einfacher, die Adresse des nächsten Geräts in der Kette einzustellen.
- Wenn Sie die korrekte Adresse eingestellt haben, speichern Sie Ihre Auswahl mit ENTER.

Hinweis: Bei RDM-kompatiblen Controllern kann diese Option auch per Fernzugriff eingerichtet werden.

CH-MODUS

Stellt den gewünschten Kanalmodus ein.

- Drücken Sie MODE, bis die gewünschte Funktion im Display angezeigt wird.
- Drücken Sie die ENTER-Taste: Die Werte können geändert werden.
- Wählen Sie mit DOWN und UP den gewünschten Modus.
- Wenn die richtige Option auf dem Display angezeigt wird, speichern Sie sie mit ENTER.

Hinweis: Bei RDM-kompatiblen Controllern kann diese Option auch per Fernzugriff eingerichtet werden.

SLAVE-MODUS

Stellt den Projektor als Slave in einer Master/Slave-Konfiguration ein.

- Drücken Sie die MODE-Taste, bis „SLAVE MODE“ auf dem Display angezeigt wird.

TONMODUS

Einstellen der Mikrofonempfindlichkeit des automatischen Musikmodus.

- Drücken Sie die Taste MENU, bis „SOUND SENS“ auf dem Display angezeigt wird.
- Drücken Sie zur Auswahl die Taste ENTER.
- Ändern Sie mit den Tasten DOWN und UP die Empfindlichkeit des integrierten Mikrofons (00 = minimale Empfindlichkeit, 31 = maximale Empfindlichkeit).
- Sobald die richtige Empfindlichkeit im Display angezeigt wird, bestätigen Sie mit ENTER.

AUTO-RUN

Bei Auswahl dieser Funktion lässt der Projektor alle seine integrierten Programme automatisch ablaufen.

Sie können die Programmgeschwindigkeit und die Anzahl der Wiederholungen jedes Programms einstellen.

- Drücken Sie die MODE-Taste, bis „AUTO RUN“ auf dem Display gezeigt wird.
- Drücken Sie die ENTER-Taste. SP blinkt: dies bedeutet, dass Sie die Laufgeschwindigkeit des automatischen Modus einstellen können.
- Wählen Sie mit DOWN und UP die gewünschte Geschwindigkeit.
- Drücken Sie die ENTER-Taste. R (Anzahl) blinkt: dies bedeutet, dass Sie die Anzahl einstellen können, wie oft jedes Programm wiederholt werden soll.
- Wählen Sie mit DOWN und UP die gewünschte Anzahl.
- Bestätigen Sie mit ENTER.

EFFEKTMODUS

Stellt den gewünschten Effekt-Modus bei Verwendung als Master ein.

- Drücken Sie MODE, bis die gewünschte Funktion im Display angezeigt wird.
- Drücken Sie die ENTER-Taste: Die Werte können geändert werden.
- Wählen Sie den gewünschten Modus mit den Tasten DOWN und UP:
 - **COL.CH6** (FARBWECHSEL 6) 6 Farben wechseln automatisch ohne Überblenden.
 - **COL.CH30** (FARBWECHSEL 30) 30 unterschiedliche Farben wechseln automatisch ohne Überblenden.
 - **COL.FADE** (FARBFADE) Die Farben wechseln mit einem schönen Überblendeffekt.
- Wenn die richtige Option auf dem Display angezeigt wird, speichern Sie sie mit ENTER.
- Wählen Sie mit den Tasten DOWN und UP die gewünschte **Wiedergabegeschwindigkeit** von 01 (sehr langsam) bis 99 (schnell).
- Wenn Sie der richtige Wert auf dem Display angezeigt wird, speichern Sie ihn mit ENTER.
- Wählen Sie mit den Tasten DOWN und UP die gewünschte **Stroboskopgeschwindigkeit** von 00 (kein Stroboskop) bis 99 (schnell).
- Wenn Sie der richtige Wert auf dem Display angezeigt wird, speichern Sie ihn mit ENTER.

STATISCHER FARBMODUS

Stellt die gewünschte feste Farbe bei Verwendung als Master ein: 9 voreingestellte Farben + 1 benutzerdefinierte Farbe.

- Drücken Sie MODE, bis die gewünschte Funktion im Display angezeigt wird.
- Drücken Sie die ENTER-Taste: Die Werte können geändert werden.
- Wählen Sie die gewünschte Farbe mit den Tasten DOWN und UP:
 - **COLOR WW** Warmes Weiß 3200K
 - **COLOR CW** Warmes Weiß 5600K
 - **RED**
 - **ORANGE**
 - **YELLOW**
 - **GREEN**
 - **CYAN**
 - **BLUE**
 - **PURPLE**
 - **STATIC SET** Diese Farbe kann vom Benutzer eingestellt werden. Befolgen Sie diese Schritte:
- Drücken Sie ENTER: Das Display zeigt den Wert (000-255) für ROT an. (mit der Taste + oder - ändern)
- Drücken Sie ENTER: Das Display zeigt den Wert (000-255) für GRÜN an. (mit der Taste + oder - ändern)
- Wiederholen Sie die vorigen Schritte für alle übrigen Farben, bis Sie die gewünschte Farbmischung eingestellt haben.
- Bestätigen Sie mit ENTER.

MASTER-DIMMER

Stellt den Master-Dimmer bei Verwendung als Master ein.

- Drücken Sie MODE, bis die gewünschte Funktion im Display angezeigt wird.
- Drücken Sie die ENTER-Taste: Die Werte können geändert werden.
- Wählen Sie nun mit den Tasten DOWN und UP den gewünschten Pegel des Master-Dimmers. (Beachten Sie, dass die zuletzt ausgewählte statische Farbe zum Einstellen des Werts verwendet wird)
- Sobald Sie den gewünschten Pegel eingestellt haben, speichern Sie ihn mit ENTER.

Hinweis: Die Einstellung dieser Option hat KEINE Auswirkungen, wenn der Projektor als SLAVE oder im DMX-Modus verwendet wird.

WEISSABGLEICH

Stellt den Weißabgleich ein oder passte die Farben mehrerer Projektoren optimal an.

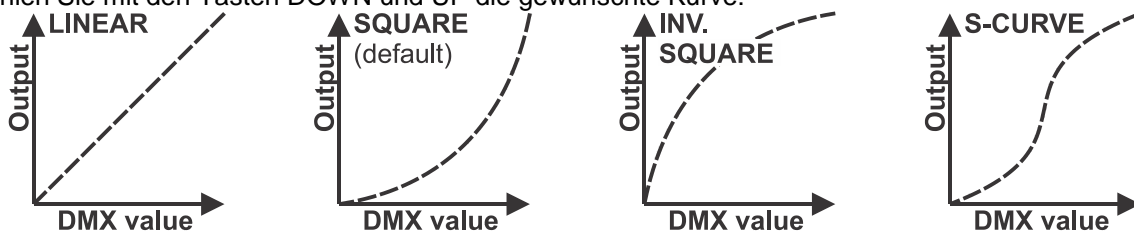
- Drücken Sie MODE, bis die gewünschte Funktion im Display angezeigt wird.
- Drücken Sie ENTER: Das Display zeigt den Wert (050-255) für ROT an. (mit der Taste + oder - ändern)
- Drücken Sie ENTER: Das Display zeigt den Wert (050-255) für GRÜN an. (mit der Taste + oder - ändern)
- Wiederholen Sie die vorigen Schritte für alle übrigen Farben, bis Sie den gewünschten Weißabgleich eingestellt haben.
- Bestätigen Sie mit ENTER. Die Einstellungen werden automatisch gespeichert.

Hinweis: Die Einstellung dieser Option wirkt sich auf alle Farbeinstellungen, statischen Farben und DMX-gesteuerten Farben aus.

DIMMERKURVE

Stellt die Dimmerkurve des Master-Dimmers ein.

- Drücken Sie MODE, bis die gewünschte Funktion im Display angezeigt wird.
- Drücken Sie die ENTER-Taste: Die Werte können geändert werden.
- Wählen Sie mit den Tasten DOWN und UP die gewünschte Kurve:



- Sobald Sie die gewünschte Kurve gewählt haben, speichern Sie sie mit ENTER.

LAMPENVERHALTEN

Wählt die Reaktionszeit des Projektors aus.

- Drücken Sie MODE, bis die gewünschte Funktion im Display angezeigt wird.
- Drücken Sie die ENTER-Taste: Die Werte können geändert werden.
- Wählen Sie mit DOWN und UP den gewünschten Modus:
 - **LED** Der Projektor folgt ohne Verzögerung sofort den Anweisungen.

- **HALOGEN** Der Projektor imitiert das Verhalten einer Halogenlampe (langsamere Reaktionszeit).
- Wenn die richtige Option auf dem Display angezeigt wird, speichern Sie sie mit ENTER.

SPERRMODUS

Sperrt das Setupmenü gegen unbefugtes Verändern der Einstellungen.

- Drücken Sie MODE, bis die gewünschte Funktion im Display angezeigt wird.
- Drücken Sie die ENTER-Taste: Die Werte können geändert werden.
- Wählen Sie mit DOWN und UP den gewünschten Modus:
 - **OFF** Das Setupmenü kann jederzeit verwendet werden.
 - **ON** Nach kurzer Zeit wird das Setupmenü automatisch gesperrt. Das Display zeigt „**LOCKED *******“ an.
Geben Sie das Display durch Drücken der Tasten in dieser Reihenfolge frei: **UP, DOWN, UP, DOWN, ENTER.**
- Wenn die richtige Option auf dem Display angezeigt wird, speichern Sie sie mit ENTER.

VERHALTEN BEI „KEIN DMX“

Legt fest, wie der Projektor reagiert, wenn das DMX-Signal plötzlich verschwindet.

- Drücken Sie MODE, bis die gewünschte Funktion im Display angezeigt wird.
 - Drücken Sie die ENTER-Taste: Die Werte können geändert werden.
 - Wählen Sie mit DOWN und UP den gewünschten Modus:
 - **BLACKOUT** Wenn kein DMX-Signal erkannt wurde, wird Schwarz ausgegeben.
 - **FREEZE** Die Ausgabe des Projektors wird auf Grundlage des letzten gültigen DMX-Signals gehalten.
 - Wenn die richtige Option auf dem Display angezeigt wird, speichern Sie sie mit ENTER.
- Hinweis: Sobald der Eingang ein DMX-Signal erkennt, wird der Blackout- oder Freeze-Modus abgebrochen.*

STANDARD-EINSTELLUNGEN

Dies ist Ihr Notausgang, wenn Sie die Einstellungen so richtig durcheinander gebracht haben: Kehren Sie einfach wieder zu den Werkseinstellungen zurück.

Es können auch 2 Benutzereinstellungen gespeichert und geladen werden.

- Drücken Sie MODE, bis die gewünschte Funktion im Display angezeigt wird.
- Drücken Sie die ENTER-Taste: Die Werte können geändert werden.
- Wählen Sie mit den Tasten DOWN und UP die gewünschten Einstellungen:
 - **FACTORY**
 - **USER1**
 - **USER2**
- Drücken Sie die ENTER-Taste:
 - **FACTORY** wurde gewählt: Das Display zeigt „LOAD“ an.
 - Drücken Sie die ENTER Taste: Das Display zeigt „CONFIRM?“ an.
 - Wählen Sie mit den Tasten DOWN und UP die Option YES oder NO aus.
 - Bestätigen Sie mit ENTER.
 - **USER1/USER2** wurde gewählt: Das Display zeigt „ACTION?“ an.
 - Wählen Sie mit den Tasten DOWN und UP die Option LOAD oder SAVE aus.
 - Bestätigen Sie mit ENTER: Das Display zeigt „CONFIRM?“ an.
 - Wählen Sie mit den Tasten DOWN und UP die Option YES oder NO aus.
 - Bestätigen Sie mit ENTER.
 - **SAVE** wurde ausgewählt: Die aktuellen Einstellungen des Setupmenüs werden gespeichert.
 - **LOAD** wurde gewählt: Die zuvor gespeicherten Einstellungen werden geladen.

FIRMWARE-VERSION

Zeigt die aktuelle Version der Firmware an.

- Drücken Sie die MODE-Taste, bis „FIRMWARE“ auf dem Display angezeigt wird.

Die Firmware des Geräts kann über ein spezielles Aktualisierungswerkzeug mit Windows®-Software aktualisiert werden. (optional von Briteq erhältlich).

Jedes Mal, wenn der Projektor eingeschaltet wird, zeigt das Display „UPDATE Wait ...“ an: Während diese Nachricht auf dem Display können Sie die Aktualisierung mit Hilfe unseres speziellen Aktualisierungswerkzeugs starten. Weitere Informationen hierzu finden Sie in der Bedienungsanleitung des Aktualisierungswerkzeugs bzw. auf unserer Website: www.briteq-lighting.com

RDM-FUNKTIONEN/EINSTELLUNG DER FERNBEDIENUNG

RDM bedeutet "Remote Device Management" (Verwaltung von Remote-Geräten). Dieser Projektor funktioniert mit einem kurzen Set von RDM-Funktionen, und dies bedeutet, dass er eine bidirektionale Kommunikation mit einem RDM-kompatiblen DMX-Controller einrichten kann. Einige dieser Funktionen werden nachfolgend kurz erläutert, andere werden zukünftig hinzugefügt.

- Der DMX-Controller sendet einen „Erkennungsbefehl“, alle RDM-Geräte reagieren und senden ihre eindeutige Geräte-ID.
- Der DMX-Controller fragt jedes RDM-Gerät nach einigen grundlegenden Daten, so dass er weiß, welche Geräte angeschlossen sind. Der Projektor antwortet:
 - **Gerätename:** Der aktuelle Name des Geräts
 - **Hersteller:** Briteq®
 - **Kategorie:** LED-Dimmer
 - **Firmware:** x.x.x.x (Firmware-Version des Projektors)
 - **DMX-Adresse:** xxx (aktuelle DMX-Startadresse des Projektors)
 - **DMX-Fußabdruck:** xx (Anzahl der DMX-Kanäle, die vom Projektor verwendet werden)
 - **Eigenschaft:** xx (aktuelle Eigenschaft [oder DMX-Arbeitsmodus], die von den Projektoren verwendet wird)
- Der DMX-Controller kann bestimmte Befehle, die Ferneinstellung der Geräte erlauben, an jedes RDM-Gerät senden. Dadurch können die Projektoren ferngesteuert eingerichtet werden.

Die folgenden Funktionen können ferngesteuert verwaltet werden:

Es ist nicht mehr erforderlich, alle Geräte mit einer Leiter, eines nach dem anderen einzustellen!

- **DMX-STARTADRESSE:** Die Startadresse kann ferngesteuert von 001 bis xxx eingestellt werden.
- **EIGENSCHAFT:** Der DMX-Arbeitsmodus (DMX-Grafik) kann ferngesteuert eingestellt werden.

Mit diesen 2 Funktionen kann ein vollständiger DMX-Patch aller Projektoren an dem DMX-Controller vorbereitet und diese Daten sofort an alle Projektoren gesendet werden. Weitere Funktionen werden später hinzugefügt.

BEDIENUNGSANLEITUNG

Hinweis: Wenn der Projektor eingeschaltet wurde, zeigt das Display „UPDATE WAIT ...“ an. Diese Meldung weist darauf hin, dass eine Aktualisierung der Firmware erfolgen muss, während diese Meldung auf dem Display angezeigt wird. Beim normalen Gebrauch können Sie diese Meldung ignorieren.

A. Standalone 1 Gerät:

- Schließen Sie einfach den Projektor an eine Steckdose an.
- Wählen Sie einen der automatischen, Musikgesteuerten oder statischen Farbmodi.
- Schlagen Sie im Kapitel EINRICHTUNGSANLEITUNG nach, wie man diese Einstellungen vornimmt.

B. Zwei oder weitere Geräte in einer Master/Slave-Installation:

- Verketteten Sie alle Geräte. Im Kapitel „Elektrische Installation“ erfahren Sie mehr darüber.
- Wählen Sie am Master (der erste Scheinwerfer in der DMX-Kette) einen der automatischen, Musikgesteuerten oder statischen Farbmodi.
- Stellen Sie alle anderen Projektoren in den Slave-Modus.
- Die Projektoren folgen jetzt dem Programm des Master-Projektors, so dass alle synchron arbeiten.

C. Steuerung mittels Universal-DMX-Controller:

- Verketteten Sie alle Geräte. Im Kapitel „Elektrische Installation von zwei oder weiteren Geräten im DMX-Modus“ erfahren Sie mehr darüber (vergessen Sie nicht, alle Geräte richtig zu adressieren!)
- Anschließend schließen Sie alle Geräte an die Stromversorgung an und schalten Sie den DMX-Controller ein.

Da jedes Gerät eine eigene DMX-Adresse besitzt, können Sie die Geräte einzeln steuern. Denken Sie daran, dass jedes Gerät eine unterschiedliche Anzahl von DMX-Kanälen verwenden kann, abhängig vom DMX-Modus, den Sie in diesem Menü gewählt haben. Siehe die folgenden unterschiedlichen DMX-Tabellen:

1-Kanal DMX-Modus: Weiß

Kanal:	Wert:	Funktion:	Hinweise
1	000-255	R+G+B+W+B (0-100 %)	

2-Kanal DMX-Modus: Weiß & UV

Kanal:	Wert:	Funktion:	Hinweise
1	000-255	R+G+B+W+B Dimmer (0-100 %)	
2	000-255	UV-Dimmer (0-100 %)	

3-Kanal DMX-Modus: Weiß & UV + Stroboskop

Kanal:	Wert:	Funktion:	Hinweise
1	000-255	R+G+B+W+B Dimmer (0-100 %)	
2	000-255	UV-Dimmer (0-100 %)	
3	000-255	Stroboskopgeschwindigkeit	Von langsam nach schnell

3+ Kanal DMX-Modus: Kaltweiß bis warmweiß & UV

Kanal:	Wert:	Funktion:	Hinweise
1	000-255	Master-Dimmer (0-100 %)	Nur für Weiß
2	000-255	Farbtemperatur für Weiß	3200K bis 10000K
3	000-255	UV-Dimmer (0-100 %)	

4-Kanal DMX-Modus: R-G-B + MASTER-DIMMER/STROBOSKOP

Hinweis: Dieser Modus kann mit LEDCON-02 Mk2 von JB Systems verwendet werden.

Kanal:	Wert:	Funktion:	Hinweise
1	000-255	Rot (0-100 %)	
2	000-255	Grün (0-100 %)	
3	000-255	Blau (0-100 %)	
4	000-190	Master-Dimmer	000=0 % ~ 200=100 % (vollständig geöffnet)
	191-200	Sound-Chase	
	201-247	Stroboskop	Zunehmende Geschwindigkeit: 201=langsam ~ 247=schnell
	248-255	Master-Dimmer bei 100 %	Master-Dimmer ist vollständig geöffnet

8-Kanal DMX-Modus: R-G-B-W-UV + MASTER-DIMMER + STROBOSKOPSTEUERUNG

Kanal:	Wert:	Funktion:	Hinweise
1	000-255	Rot (0-100 %)	
2	000-255	Grün (0-100 %)	
3	000-255	Blau (0-100 %)	
4	000-255	Weiß (0-100 %)	
5	000-255	Bernsteinfarben (0-100 %)	
6	000-255	UV (0-100 %)	
7	000-255	Master-Dimmer	
8	000	Stroboskop Aus	
	001-005	Musiksteuerung	
	006-010	Stroboskop Aus	
	011-255	Stroboskopgeschwindigkeit	Langsam (011) bis schnell (255)

9-Kanal DMX-Modus: R-G-B-W-UV + MASTER-DIMMER + STROBOSKOPSTEUERUNG + FARBMAKROS

Kanal:	Wert:	Funktion:	Hinweise
1	000-255	Rot (0-100 %)	
2	000-255	Grün (0-100 %)	
3	000-255	Blau (0-100 %)	
4	000-255	Weiß (0-100 %)	
5	000-255	Bernsteinfarben (0-100 %)	
6	000-255	UV (0-100 %)	
7	000-255	Master-Dimmer	
8	000	Stroboskop Aus	
	001-005	Musiksteuerung	
	006-010	Stroboskop Aus	
	011-255	Stroboskopgeschwindigkeit	Langsam (011) bis schnell (255)
9	000-007	Normale Farbmischung	Kanäle 1 bis 6 verwenden
	008-255	Farbmakros	30 vorinstallierte Farben stehen zur Verfügung

9+ -Kanalmodus:**R-G-B-W-UV + MASTER-DIMMER + STROBOSKOPSTEUERUNG + VORPROGRAMMIERTE SHOWS**

Kanal:	Wert:	Funktion:	Hinweise
1	000-255	Master-Dimmer	
2	000-007	EIN/Offen	
	008-037	Zufallsstroboskop	
	038-067	Musik Stroboskop	
	068-255	Stroboskopgeschwindigkeit: Langsam nach schnell	
3	000-007	Keine Sonderfunktion	
	008-247	Farbfade	Langsam nach schnell
	248-255	Sound-Chase	
4	000-255	Rot (0-100 %)	
5	000-255	Grün (0-100 %)	
6	000-255	Blau (0-100 %)	
7	000-255	Weiß (0-100 %)	
8	000-255	Bernsteinfarben (0-100 %)	
9	000-255	UV (0-100 %)	

WARTUNG

- Stellen Sie sicher, dass sich keine unbefugten Personen unterhalb des Geräts befinden, während es gewartet wird.
- Schalten Sie das Gerät aus, ziehen Sie den Netzstecker und warten Sie, bis es sich abgekühlt hat.

Während der Wartung sind folgende Punkte ganz besonders zu beachten:

- Sämtliche Schrauben zur Installation des Geräts und zur Befestigung jedes seiner Teile müssen fest angezogen und rostfrei sein.
- Gehäuse, Befestigungsmaterialien und Aufhängungen (Decke, Balken, abgehängte Decken) dürfen keine Anzeichen von Verformung aufweisen.
- Falls die Optik sichtbar beschädigt ist (Sprünge oder tiefe Kratzer), dann müssen die entsprechenden Teile ausgetauscht werden.
- Die Netzkabel müssen stets in einwandfreiem Zustand sein und selbst bei kleinsten Beschädigungen erneuert werden.
- Zur Vermeidung von Überhitzung müssen die Kühllüfter (sofern vorhanden) und Lüftungsschlitze monatlich gereinigt werden.
- Die Reinigung der inneren und äußeren optischen Linsen bzw. Spiegel muss in regelmäßigen Abständen zur Beibehaltung einer optimalen Lichtausbeute vorgenommen werden. Die Reinigungsintervalle hängen stark von der Umgebung ab, in der das Gerät betrieben wird: Feuchte, verrauchte oder besonders verschmutzte Umgebungen führen zu einer größeren Verschmutzung auf den Linsen.
 - Mit einem weichem Tuch und gewöhnlichem Glasreiniger säubern.
 - Alle Teile stets gut abtrocknen.

Achtung: Wir empfehlen dringend, die Reinigung des Geräteinneren nur von qualifiziertem Personal durchführen zu lassen!

TECHNISCHE DATEN

Netzspannung:	110-250 VAC, 50/60 Hz
Leistungsaufnahme:	120 Watt max.
Sicherung:	250 V, 2 A, träge (20 mm Glas)
Musiksteuerung:	Eingebautes Mikrofon
DMX-Anschlüsse:	XLR 3-polig
DMX-modus:	1-Kanal, 2-Kanal, 3-Kanal, 3+ -Kanal, 4-Kanal, 8-Kanal, 9-Kanal, 9+ -Kanal
LEDs:	12 x 12 W „6in1“-LEDs (Rot, Grün, Blau, Weiß, Bernsteinfarben, UV)
Abstrahlwinkel:	25°
Abmessungen:	300 x 275 x 300 mm
Gewicht:	3,5 kg

Technische Änderungen können auch ohne Vorankündigung vorgenommen werden
 Sie können sich die neueste Version dieses Benutzerhandbuches von unserer Website
 herunterladen: www.briteq-lighting.com

MANUAL DE INSTRUCCIONES

Gracias por comprar este producto de Briteq®. Para aprovechar al máximo todas las posibilidades y para su propia seguridad, lea detenidamente este manual de instrucciones antes de comenzar a utilizar la unidad.

CARACTERÍSTICAS

Esta unidad tiene supresión de radio interferencias. Este producto cumple con los requisitos de las normas actuales, tanto europeas como nacionales a tal respecto. Dicha conformidad ha sido establecida y las declaraciones y documentos pertinentes han sido depositados por el fabricante.

Este dispositivo fue diseñado para producir efectos de iluminación decorativa y se utiliza en sistemas de espectáculos de iluminación.

- LED PARCAN de gran potencia, perfecto para empresas de alquiler, discotecas, DJ profesionales, etc.
- Potente haz de luz de 25° gracias a sus 12 potentes LEDs "6 en 1" de 12W (rojo, verde, azul, blanco, ámbar y UV) dentro de una carcasa PAR clásica.
- ¡Es posible generar cualquier combinación de color, incluyendo efectos UV de luz de fondo!
- Excelente mezcla de color de RGB y una atenuación que baja hasta 0%.
- Pantalla LCD alfanumérica con luz de fondo para seleccionar las diferentes opciones del menú de configuración.
- Comportamiento de la lámpara seleccionable: lámpara halógena (lento) o LED (rápido)
- Cuatro curvas de atenuación: lineal, cuadrática, cuadrática inversa, curva en S
- En el caso de fallo DMX podrá elegir entre el modo apagado o el modo congelación.
- Función de bloqueo para evitar modificaciones involuntarias de la configuración.
- Funciona en configuraciones independiente y maestro/esclavo:
 - Cree su color fijo estático
 - Suave fundido automático de colores con control manual de velocidad
 - Cambio automático de color con control manual de velocidad
 - Cambio de color controlado por el sonido con control manual de sensibilidad para el micrófono integrado
- Controlable por DMX: hay disponibles 8 modos diferentes:
 - Modo de 1 canal DMX: Atenuación del blanco
 - Modo de 2 canal DMX: Atenuación del blanco y atenuación UV
 - Modo de 3 canal DMX: Atenuación del blanco, atenuación UV, estrobo
 - Modo de 3+ canales DMX: Atenuación del blanco, selección de la temperatura del color blanco, estrobo
 - Modo de 4 canal DMX: Rojo, verde, azul, atenuador general/estrobo/activación por sonido
 - Modo de 8 canal DMX: Rojo, verde, azul, blanco, ámbar, UV, atenuador maestro, control del estrobo
 - Modo de 9 canal DMX: Rojo, verde, azul, blanco, ámbar, UV, atenuador maestro, control del estrobo, macro de control
 - Modo de 9+ canales DMX: Atenuador maestro, estrobo, velocidad de atenuación del color/activación por sonido, rojo, verde, azul, blanco, ámbar, UV
- Funcionalidad RDM para una fácil instalación remota: Direccionamiento DMX, modo de canal, ...
- Balance de blancos para igualar perfectamente los colores de diferentes proyectores.
- Se pueden guardar/cargar la configuración preestablecida de fábrica + 2 configuraciones de usuario.

ANTES DE USAR

- Antes de comenzar a utilizar esta unidad, compruebe si no ha sufrido daños durante el transporte. Si hubiera alguno, no utilice el dispositivo y consulte primero con su distribuidor.
- **Importante:** Este dispositivo salió de nuestra fábrica en perfectas condiciones y bien embalado. Es absolutamente necesario que se obedezcan al pie de la letra las instrucciones y advertencias de seguridad que aparecen en este manual de usuario. Cualquier daño causado por una mala manipulación no estará cubierto por la garantía. El distribuidor no aceptará ninguna responsabilidad por defectos o problemas causados por no obedecer lo indicado en este manual de usuario.
- Mantenga este folleto en un lugar seguro para futuras consultas. Si vende este equipo, asegúrese de incluir este manual de usuario.

Compruebe el contenido:

Verifique que el paquete contiene los siguientes elementos:

- Instrucciones de funcionamiento
- BT-STAGEPAR 6-en-1
- Marco para el filtro

INSTRUCCIONES DE SEGURIDAD:



CAUTION
RISK OF ELECTRIC SHOCK
DO NOT OPEN



PRECAUCIÓN: Para reducir el riesgo de descarga eléctrica, no retire la cubierta superior. Dentro no hay componentes que puedan ser reparados por el usuario. Dirija cualquier reparación o mantenimiento solamente a personal cualificado.



El símbolo de relámpago con punta de flecha dentro de un triángulo equilátero advierte al usuario de la presencia de "tensiones peligrosas" no aisladas dentro de la carcasa del producto que pueden ser de una magnitud suficiente como para constituir un riesgo de descarga eléctrica. El signo de admiración dentro de un triángulo equilátero advierte al usuario de la presencia de instrucciones importantes relacionadas con la operación y el mantenimiento (reparación) en la literatura que se entrega junto con el equipo.



Este símbolo significa: sólo para uso en interiores



Este símbolo significa: lea las instrucciones



Este símbolo determina: la distancia mínima desde los objetos iluminados. La distancia mínima entre la salida de luz y la superficie iluminada debe ser mayor de 1 metro



El dispositivo no es adecuado para el montaje directo sobre superficies normalmente inflamables. (apto solamente para el montaje sobre superficies no combustibles)

RISK GROUP 2
CAUTION:
Do not stare at operating lamp

PRECAUCIÓN: No mire a las lámparas cuando estén encendidas. Pueden dañar la vista.

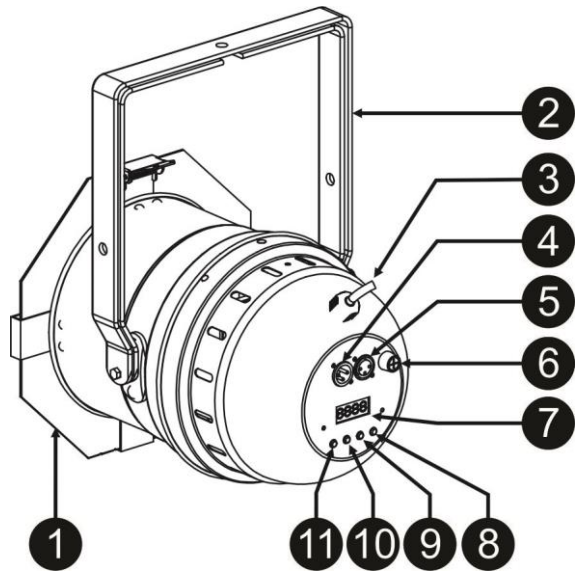
- Para proteger el medio ambiente, intente reciclar el material del embalaje en la mayor medida posible.
- Para evitar que se forme condensación en el interior del equipo, permita que la unidad se adapte a la temperatura del entorno cuando se lleve a una habitación cálida después del transporte. La condensación impide a veces que la unidad trabaje a plena capacidad e incluso puede causar averías.
- No coloque objetos metálicos ni derrame líquidos dentro de la unidad. Puede provocar una descarga eléctrica o un mal funcionamiento. Si un objeto extraño se introduce dentro de la unidad, desconecte de inmediato la alimentación eléctrica.
- Coloque el proyector en un lugar bien ventilado, lejos de materiales y/o líquidos inflamables. El proyector debe estar fijo con al menos 50 cm de separación de las paredes de su alrededor.
- No cubra ninguna abertura de ventilación ya que esto puede provocar sobrecalentamiento.
- Evite emplear la unidad en ambientes polvorientos y límpiela con regularidad.
- Mantenga la unidad lejos de los niños.
- Este equipo no debe ser utilizado por personas inexpertas.
- La temperatura ambiente máxima segura es de 40°C. No utilice esta unidad a temperaturas ambiente más altas.
- Asegúrese de que el área que se encuentra bajo el lugar de instalación esté libre de personas no autorizadas durante la subida, bajada y reparación del aparato.
- Deje enfriar el dispositivo unos 10 minutos antes de realizar cualquier mantenimiento o reparación.
- Siempre desenchufe la unidad cuando no se vaya a utilizar durante un período de tiempo prolongado o cuando vaya a realizar labores de mantenimiento o reparación.
- La instalación eléctrica debe realizarla solamente personal cualificado, de acuerdo con la normativa sobre seguridad eléctrica y mecánica de su país.
- Compruebe que la tensión disponible no sea superior a la indicada en la unidad.
- El cable de alimentación debe estar siempre en perfectas condiciones. Apague de inmediato la unidad cuando el cable de alimentación esté aplastado o dañado. Debe ser sustituido por el fabricante, por su representante de servicio técnico o por una persona de cualificación similar para evitar riesgos.
- ¡Nunca permita que el cable de alimentación haga contacto con otros cables!
- Este proyector debe conectarse a tierra para cumplir con las normas de seguridad.
- No conecte la unidad a un dispositivo de atenuación.
- Cuando instale la unidad utilice siempre un cable de seguridad apropiado y certificado.
- Para evitar descargas eléctricas, no abra la cubierta. Dentro no hay componentes que puedan ser reparados por el usuario.
- **Nunca** repare un fusible o puentee el soporte del fusible. ¡**Siempre** sustituya un fusible dañado con otro del mismo tipo y las mismas especificaciones eléctricas!
- En el caso de que haya serios problemas de funcionamiento, deje de usar el aparato y contacte inmediatamente con su distribuidor.
- La carcasa y las lentes deben sustituirse si están visiblemente dañadas.
- Utilice el embalaje original cuando haya que transportar el dispositivo.
- Por razones de seguridad, está prohibido realizar modificaciones no autorizadas a la unidad.

Importante: ¡Nunca mire directamente a la fuente de luz! No use efectos de luz en presencia de personas que padezcan de epilepsia.

DESCRIPCIÓN:

PROYECTOR

1. **MARCO DEL FILTRO:** se puede usar para todo tipo de filtros opcionales, como los filtros difusores 'frost' (para hacer el haz de luz más ancho).
2. **SOPORTE DOBLE:** con perno roscado para fijar la unidad en la posición deseada y un orificio de montaje para colgarlo sobre un gancho de montaje. Como el soporte es doble, también puede utilizarse para apoyarlo en el suelo.
3. **CABLE DE ALIMENTACIÓN:** para conectar la unidad a la red eléctrica.
4. **ENTRADA DMX:** conector macho XLR de 3 pines empleado para conectar el proyector con el controlador DMX o con la unidad anterior de la cadena DMX.
5. **SALIDA DMX:** conector hembra XLR de 3 pines empleado para conectar el proyector con la siguiente unidad de la cadena DMX.
6. **Porta-fusible:** ¡Siempre sustituya un fusible dañado con otro del mismo tipo y las mismas especificaciones eléctricas! (fusible lento de 250V y 2A)
7. **PANTALLA** muestra los diversos menús y las funciones seleccionadas.
8. **Botón ABAJO:** para disminuir los valores mostrados en pantalla.
9. **Botón ARRIBA:** para aumentar los valores mostrados en pantalla.
10. **Botón ENTER:** se utiliza para confirmar su elección o para entrar al modo de configuración de una función.
11. **Botón MODO:** se utiliza para navegar por las diferentes funciones del menú.



MONTAJE EN ALTURA (SOBRE LA CABEZA)

- **Importante:** La instalación debe efectuarla solamente personal de servicio cualificado. Una instalación no adecuada puede dar como resultado lesiones serias y/o daños a la propiedad. ¡Colocar el dispositivo sobre un montaje en altura requiere una gran experiencia! Deben respetarse los límites de carga de trabajo, utilizarse materiales de instalación certificados y el dispositivo instalado debe inspeccionarse con regularidad por motivos de seguridad.
- Asegúrese de que el área que se encuentra bajo el lugar de instalación esté libre de personas no autorizadas durante la subida, bajada y reparación del aparato.
- Coloque el proyector en un lugar bien ventilado, lejos de materiales y/o líquidos inflamables. El proyector debe estar fijo con **al menos 50 cm** de separación de las paredes de su alrededor.
- El dispositivo debe instalarse fuera del alcance de las personas y fuera de las áreas donde las personas puedan pasar o permanezcan sentadas.
- Antes de subir el proyector para su colocación, asegúrese de que el área de instalación pueda sostener una carga puntual mínima de 10 veces el peso del dispositivo.
- Cuando instale la unidad, utilice siempre un cable de elevación certificado que pueda sostener 12 veces el peso del dispositivo. Esta segunda fijación de seguridad debe instalarse de forma que ninguna parte de la instalación pueda caer más de 20 cm si la fijación principal falla.
- El dispositivo debe fijarse bien, ¡un montaje que permita el balanceo es peligroso y no debe considerarse!
- No cubra ninguna abertura de ventilación ya que esto puede provocar sobrecalentamiento.
- El operador tiene que estar seguro de que las instalaciones técnicas de la máquina y las relacionadas con la seguridad son aprobadas por un experto antes de utilizarlas por primera vez. Las instalaciones deben inspeccionarse anualmente por una persona con experiencia para asegurarse de que la seguridad es óptima.



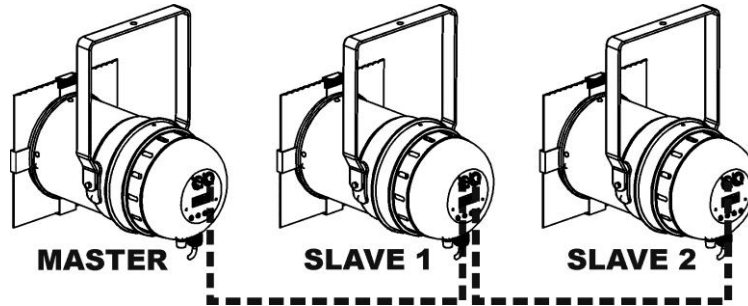
INSTALACIÓN ELÉCTRICA + DIRECCIONAMIENTO

⚠ Importante: La instalación eléctrica debe realizarla solamente personal cualificado, de acuerdo con la normativa sobre seguridad eléctrica y mecánica de su país.

Modo Maestro/esclavo:

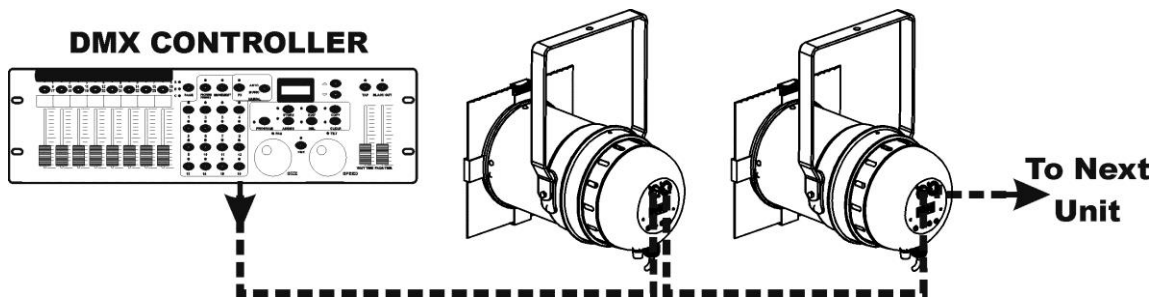
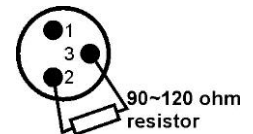
Conecte los proyectores entre sí como se muestra en el dibujo. Por favor, consulte el párrafo "MENU DE CONFIGURACIÓN" para configurar la unidad maestra. Todas las unidades esclavas deben de estar en modo ESCLAVO. Puede tener tantas unidades esclavas como desee con la condición que el consumo eléctrico no supere los 10A (2300W).

IMPORTANTE: Asegúrese de que no hay ningún controlador DMX conectado, ¡esto provocará un comportamiento inesperado de los proyectores!



Instalación eléctrica para dos o más unidades en modo DMX:

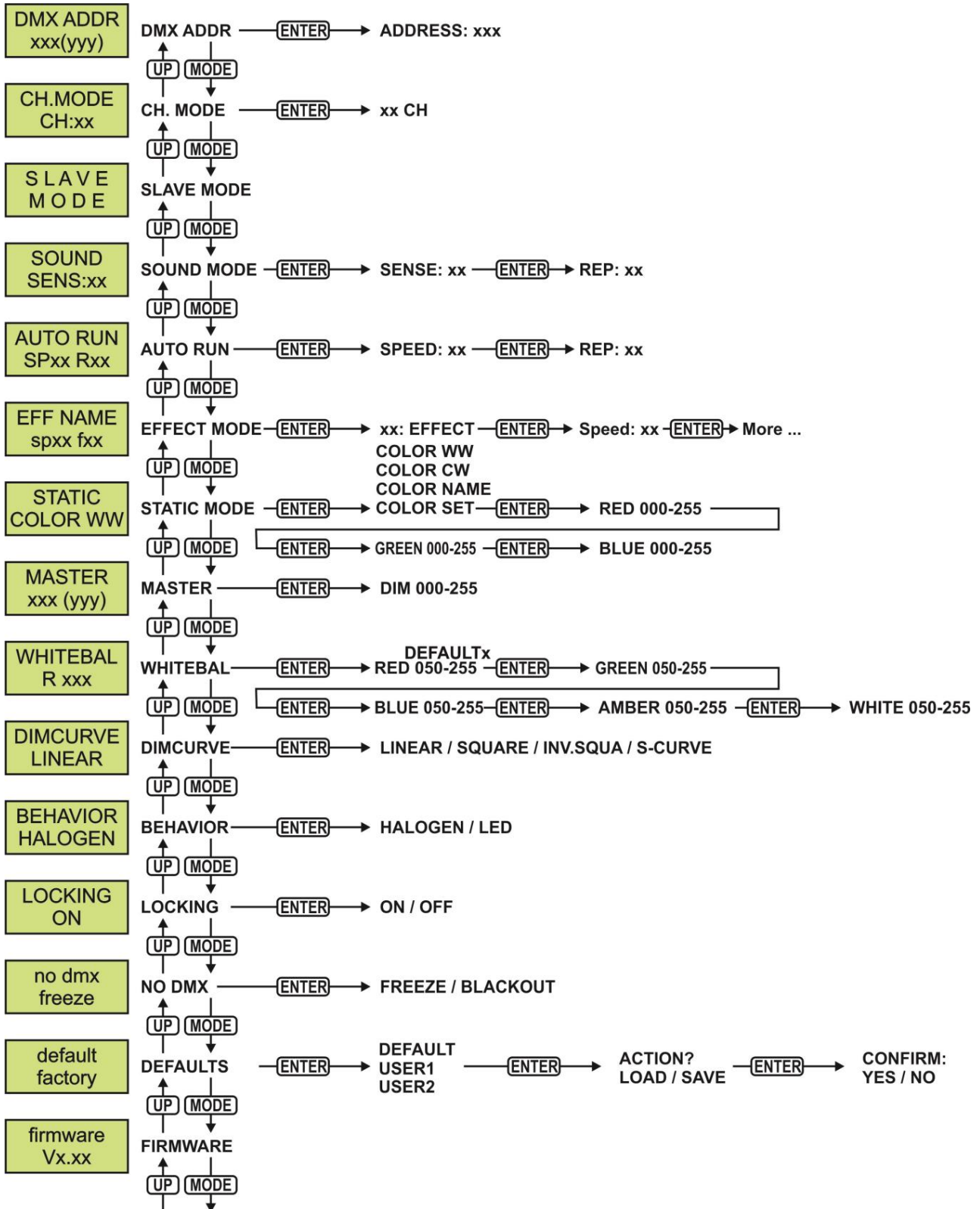
- El protocolo DMX es una señal de alta velocidad ampliamente utilizada para controlar sistemas de iluminación inteligente. Tiene que encadenar el controlador DMX y todas las unidades conectadas con un cable balanceado de buena calidad.
- Para evitar un comportamiento extraño de los efectos de luces debido a interferencias, debe utilizar una resistencia terminal de 90Ω a 120Ω al final de la cadena. Nunca utilice cables divisores en Y, ¡esto simplemente no funcionará!
- Asegúrese de que todas las unidades estén conectadas a la red eléctrica.
- Cada dispositivo de efectos de luces de la cadena tiene que tener su propia dirección de inicio, de manera que sepa qué comandos procedentes del controlador tiene que decodificar. En la sección CÓMO CONFIGURARLO aprenderá cómo establecer las direcciones DMX. Si, por ejemplo, utiliza el modo DMX de 4 canales, una posible configuración de direcciones sería: unidad1 = 001 ~ unidad2 = 005 ~ unidad3 = 009 ~ unidad4 = 013 ~ etc.



CÓMO CONFIGURARLO:

Todos los puntos siguientes son idénticos para ambos modelos, excepto los mensajes en pantalla: las presentaciones se muestran en el lado izquierdo.

- Para seleccionar cualquiera de las funciones, pulse el botón MODE varias veces hasta que la función que desea aparezca en la pantalla, o utilice los botones DOWN y UP para desplazarse por el menú.
- Seleccione la función con el botón ENTER.
- Use los botones DOWN y UP para cambiar los valores.
- Una vez haya seleccionado el valor deseado, pulse el botón ENTER para confirmar.



DIRECCIÓN DMX

Se utiliza para establecer la dirección DMX deseada.

- Pulse el botón MODE varias veces hasta que la función deseada aparezca en la pantalla.
- Pulse el botón ENTER: ahora podrá cambiar los valores
- Utilice los botones DOWN y UP para seleccionar la dirección DMX512 deseada. También aparecerá la última dirección DMX ocupada: esto facilita establecer la dirección de la unidad siguiente en la cadena.
- Una vez que tenga en la pantalla la dirección correcta, presione el botón ENTER para guardarla.

Nota: en los mandos a distancia compatibles RDM también podrá ajustar esta opción de modo remoto.

MODO CH.

Se utiliza para establecer el modo de canales deseados.

- Pulse el botón MODE varias veces hasta que la función deseada aparezca en la pantalla.
- Pulse el botón ENTER: ahora podrá cambiar los valores
- Utilice los botones DOWN y UP para seleccionar el modo deseado
- Una vez que la opción correcta aparece en la pantalla, pulse el botón ENTER para guardarla.

Observación: en los mandos a distancia compatibles RDM también podrá ajustar esta opción de modo remoto.

MODO ESCLAVO

Se usa para configurar el proyector como esclavo en una configuración maestro/esclavo.

- Pulse el botón MODE hasta que aparezca en pantalla SLAVE MODE.

MODO DE SONIDO

Se usa para establecer la sensibilidad del micrófono para usarlo con el modo automático activado por sonido.

- Pulse el botón MENU hasta que **SOUND SENS** se muestre en pantalla.
- Pulse el botón ENTER para seleccionar.
- Utilice los botones DOWN y UP para cambiar la sensibilidad del micrófono integrado (00 = sensibilidad mínima, 31 = sensibilidad máxima).
- Una vez aparezca en la pantalla la sensibilidad correcta, pulse el botón ENTER para confirmar.

FUNCIONAMIENTO AUTOMÁTICO

Cuando seleccione esta función, el proyector ejecutará todos los programas integrados automáticamente.

Se puede ajustar la velocidad del programa y el número de veces que se repetirá cada programa.

- Pulse el botón MODE hasta que aparezca en pantalla AUTO RUN.
- Pulse el botón ENTER. SP parpadeará en la pantalla: esto indica que puede ajustar la velocidad de ejecución del modo automático
- Use los botones DOWN y UP para seleccionar la velocidad deseada
- Pulse el botón ENTER. R (Repetición) parpadeará: esto indica que podrá ajustar el número de veces que se repetirá cada programa.
- Use los botones DOWN y UP para seleccionar las repeticiones deseadas
- Presione el botón ENTER para confirmar

MODO DE EFECTOS

Se utiliza para establecer el modo de efectos deseado mientras se usa como unidad maestra.

- Pulse el botón MODE varias veces hasta que la función deseada aparezca en la pantalla.
- Pulse el botón ENTER: ahora podrá cambiar los valores
- Utilice los botones DOWN y UP para seleccionar el modo deseado:
 - **COL.CH6** (CAMBIO DE COLOR 6) los 6 colores cambian automáticamente sin atenuación.
 - **COL.CH30** (CAMBIO DE COLOR 30) 30 colores diferentes cambian automáticamente sin atenuación.
 - **COL.FADE** (ATENUACIÓN DEL COLOR) los colores cambian con un agradable efecto de atenuación.
- Una vez que la opción correcta aparece en la pantalla, pulse el botón ENTER para guardarla.
- Use los botones DOWN y UP para seleccionar la **velocidad de ejecución** deseada desde 01 (muy lento) a 99 (rápido).
- Una vez que el valor correcto aparece en la pantalla, pulse el botón ENTER para guardarlo.
- Use los botones DOWN y UP para seleccionar la **velocidad del efecto estroboscópico** deseada desde 00 (sin estrobo) a 99 (rápido).
- Una vez que el valor correcto aparece en la pantalla, pulse el botón ENTER para guardarlo.

MODO COLOR ESTÁTICO

Se utiliza para establecer color estático deseado mientras se usa como unidad maestra: 9 colores preestablecidos + 1 color personalizable.

- Pulse el botón MODE varias veces hasta que la función deseada aparezca en la pantalla.
- Pulse el botón ENTER: ahora podrá cambiar los valores
- Utilice los botones DOWN y UP para seleccionar el color deseado:
 - **COLOR WW** Blanco cálido 3200K
 - **COLOR CW** Blanco cálido 5600K
 - **RED**
 - **ORANGE**
 - **YELLOW**
 - **GREEN**
 - **CYAN**
 - **BLUE**
 - **PURPLE**
 - **STATIC SET** este es un color que puede ser seleccionado por el usuario. Siga estos pasos:
- Pulse el botón ENTER: la pantalla le muestra el valor (000-255) para el ROJO. (cámbielo con los botones +/-)
- Pulse el botón ENTER: la pantalla le muestra el valor (000-255) para el VERDE. (cámbielo con los botones +/-)
- Repita los pasos anteriores para el resto de colores hasta que obtenga la mezcla de color deseada.
- Presione el botón ENTER para confirmar

ATENUACIÓN MAESTRA

Se utiliza para establecer la atenuación maestra mientras se use como unidad maestra.

- Pulse el botón MODE varias veces hasta que la función deseada aparezca en la pantalla.
- Pulse el botón ENTER: ahora podrá cambiar los valores
- Utilice los botones DOWN y UP para seleccionar el nivel deseado para la atenuación maestra. (fíjese que el último color estático seleccionado se usará para establecer el valor)
- Una vez tenga el nivel deseado, pulse el botón ENTER para guardarlo.

Nota: Los ajustes de esta opción NO tienen efecto cuando el proyector es usado como unidad ESCLAVA o esté en modo DMX.

BALANCE DE BLANCOS

Se utiliza para ajustar el balance de blancos para igualar los colores de varios proyectores.

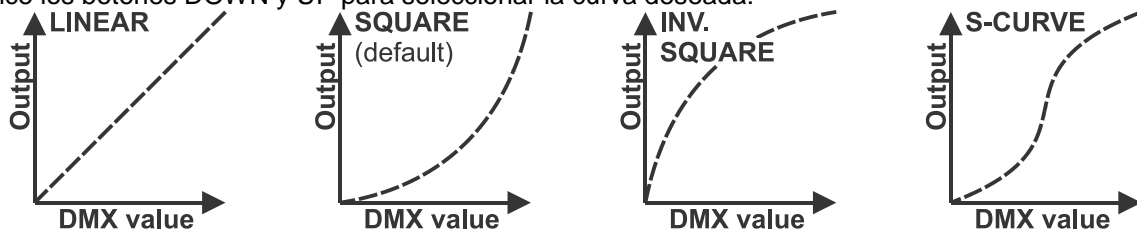
- Pulse el botón MODE varias veces hasta que la función deseada aparezca en la pantalla.
- Pulse el botón ENTER: la pantalla le muestra el valor (050-255) para el ROJO. (cámbielo con los botones +/-)
- Pulse el botón ENTER: la pantalla le muestra el valor (050-255) para el VERDE. (cámbielo con los botones +/-)
- Repita estos pasos para el resto de colores hasta que obtenga el balance de blancos deseado.
- Pulse ENTER para confirmar. El ajuste se guardará automáticamente.

Nota: el ajuste de esta opción afecta a toda la configuración del color, colores estáticos y colores controlados por DMX.

CURVA DEL ATENUADOR

Se utiliza para establecer la curva de atenuación del atenuador maestro.

- Pulse el botón MODE varias veces hasta que la función deseada aparezca en la pantalla.
- Pulse el botón ENTER: ahora podrá cambiar los valores
- Utilice los botones DOWN y UP para seleccionar la curva deseada:



- Una vez tenga la curva deseada, pulse el botón ENTER para guardarla.

COMPORTEAMIENTO DE LA LÁMPARA

Se utiliza para seleccionar el tiempo de reacción del proyector.

- Pulse el botón MODE varias veces hasta que la función deseada aparezca en la pantalla.
- Pulse el botón ENTER: ahora podrá cambiar los valores
- Utilice los botones DOWN y UP para seleccionar el modo deseado:

- **LED** El proyector seguirá las instrucciones instantáneamente, sin retardo.
- **HALOGEN** El proyector imita el comportamiento de una luz halógena (tiempo de reacción más lento).
- Una vez que la opción correcta aparece en la pantalla, pulse el botón ENTER para guardarla.

MODO BLOQUEO

Se utiliza para bloquear el menú de configuración y evitar modificaciones no deseadas de los parámetros.

- Pulse el botón MODE varias veces hasta que la función deseada aparezca en la pantalla.
- Pulse el botón ENTER: ahora podrá cambiar los valores
- Utilice los botones DOWN y UP para seleccionar el modo deseado:
 - **OFF** El menú de configuración se puede usar en cualquier momento.
 - **ON** Transcurrido un breve instante el menú de configuración se bloquea automáticamente y en la pantalla aparece "**LOCKED *******".
Desbloquee la pantalla pulsando los botones en el orden siguiente: **UP, DOWN, UP, DOWN, ENTER**.
- Una vez que la opción correcta aparece en la pantalla, pulse el botón ENTER para guardarla.

COMPORTAMIENTO SIN DMX

Se utiliza para establecer la reacción del proyector cuando la señal DMX desaparece repentinamente.

- Pulse el botón MODE varias veces hasta que la función deseada aparezca en la pantalla.
- Pulse el botón ENTER: ahora podrá cambiar los valores
- Utilice los botones DOWN y UP para seleccionar el modo deseado:
 - **BLACKOUT** la salida se queda en negro mientras no se detecte DMX.
 - **FREEZE** la señal basada en la última señal DMX válida se mantiene en el proyector.
- Una vez que la opción correcta aparece en la pantalla, pulse el botón ENTER para guardarla.

Nota: Tan pronto como la entrada vuelva a detectar una señal DMX, los modos blackout o freeze se anulan.

AJUSTE DE FABRICA

Esta es su salida de emergencia si ha encontrado verdaderos problemas con los ajustes: simplemente restaura los valores de fábrica.

También se puede guardar/cargar la configuración de 2 usuarios.

- Pulse el botón MODE varias veces hasta que la función deseada aparezca en la pantalla.
- Pulse el botón ENTER: ahora podrá cambiar los valores
- Utilice los botones DOWN y UP para seleccionar la configuración deseada:
 - **FACTORY**
 - **USER1**
 - **USER2**
- Pulse el botón ENTER:
 - Si seleccionó **FACTORY**: la pantalla muestra "LOAD"
 - Pulse el botón ENTER, la pantalla muestra "CONFIRM?".
 - Utilice los botones DOWN y UP para seleccionar YES/NO.
 - Presione el botón ENTER para confirmar.
 - Si seleccionó **USER1/USER2**: la pantalla muestra "ACTION?"
 - Utilice los botones DOWN y UP para seleccionar LOAD/SAVE.
 - Pulse el botón ENTER para confirmar: la pantalla muestra "CONFIRM?".
 - Utilice los botones DOWN y UP para seleccionar YES/NO.
 - Presione el botón ENTER para confirmar.
 - Si seleccionó **SAVE**: los ajustes actuales del menú de configuración se guardan en la memoria.
 - Si seleccionó **LOAD**: se cargará la configuración previamente guardada.

VERSIÓN DE FIRMWARE

Se utiliza para ver la versión actual del software de la unidad.

- Pulse el botón MODE hasta que aparezca en pantalla FIRMWARE.

El firmware de esta unidad se puede actualizar usando una herramienta especial de actualización con el sistema operativo Windows®. (disponible por separado desde Briteq).

Cada vez que encienda un proyector, la pantalla de la unidad muestra "UPDATE Wait": mientras este mensaje se encuentre en la pantalla podrá ejecutar y usar nuestra herramienta especial de actualización. Puede encontrar más información al respecto en el manual del usuario de la herramienta de actualización y/o en nuestro sitio Web: www.briteq-lighting.com

FUNCIONES RDM/INSTALACIÓN REMOTA

RDM significa "Remote Device Management" (Gestión Remota del Dispositivo). Este proyector funciona con un pequeño conjunto de funciones RDM, lo que indica que puede configurar una comunicación bidireccional con un controlador DMX compatible con RDM. Algunas de las funciones se explican brevemente abajo; otras se añadirán en el futuro.

- El controlador DMX envía un "comando de descubrimiento"; todos los dispositivos RDM responden y envían su ID de dispositivo única.
- El controlador DMX solicita a cada dispositivo RDM algunos datos básicos de este modo sabe qué dispositivos están conectados. El proyector responderá:
 - **Nombre del dispositivo:** el nombre real de la unidad
 - **Fabricante:** Briteq®
 - **Categoría:** Potenciómetro LED
 - **Firmware:** x.x.x.x (versión de firmware del proyector)
 - **Dirección DMX:** xxx (la dirección de inicio DMX actual del proyector)
 - **Huella DMX:** xx (número de canales DMX usados por el proyector)
 - **Personalidad:** xx (personalidad actual [o modo de funcionamiento DMX] usado por los proyectores)
- El controlador DMX puede enviar ciertos comandos a cada dispositivo RDM que permiten la configuración remota de las unidades. Gracias a esto los proyectores se pueden configurar de modo remoto.

Las siguiente funciones pueden gestionarse de forma remota:

¡Ya no necesita coger una escalera y configurar todas las unidades una a una!

- **DIRECCIÓN DE INICIO DMX:** Se puede fijar de forma remota la dirección de inicio de 001 a xxx.
- **PERSONALIDAD:** Se puede fijar de forma remota el modo de funcionamiento DMX (cuadro DMX).

Estas 2 funciones permiten preparar una conexión completa DMX de todos los proyectores en el controlador DMX y enviar estos datos a todos los proyectores a la vez. Posteriormente se añadirán más funciones.

INSTRUCCIONES DE FUNCIONAMIENTO

Nota: Cada vez que encienda un proyector, la pantalla de la unidad muestra "UPDATE WAIT" Este mensaje le informa que si usted desea actualizar el firmware, debe hacerlo mientras aparezca este mensaje en la pantalla. En un uso normal puede ignorar completamente este mensaje.

A. 1 unidad independiente:

- Simplemente conecte el proyector a la alimentación.
- Seleccione uno de los modos de color estático, automático o de sonido.
- Consulte el capítulo CÓMO CONFIGURARLO para aprender cómo realizar estos ajustes.

B. Dos o más unidades en configuración maestro/esclavo:

- Conecte todas las unidades entre sí. Consulte el capítulo "instalación eléctrica" para aprender cómo hacerlo.
- Seleccione uno de los modos de color estático, automático o de sonido en la unidad maestra (primer proyector en la cadena MDX).
- Configure todos los demás proyectores en modo ESCLAVO.
- Ahora los proyectores seguirán el programa del proyector maestro, de forma que funcionarán sincronizados.

C. Controlado por un controlador universal DMX:

- Conecte todas las unidades entre sí. Consulte el capítulo "Instalación eléctrica para dos o más unidades en modo DMX" para aprender cómo hacerlo (¡no olvide direccionar correctamente todas las unidades!)
- Conecte todas las unidades a la alimentación y encienda el controlador DMX.

Como cada unidad tiene su propia dirección DMX, puede controlarlas individualmente. Recuerde que cada unidad utiliza 1, o 2 canales DMX, dependiendo del modo DMX que haya seleccionado en el menú. Vea a continuación las diferentes tablas DMX:

Modo 1 canal DMX: Blanco

Canal:	Valor:	Función:	Comentarios
1	000-255	R+G+B+W+A (0-100%)	

Modo 2 canal DMX: Blanco y UV

Canal:	Valor:	Función:	Comentarios
1	000-255	R+G+B+W+A Atenuador (0-100%)	
2	000-255	Atenuador UV (0-100%)	

Modo 3 canal DMX: Blanco y UV + estrobo

Canal:	Valor:	Función:	Comentarios
1	000-255	R+G+B+W+A Atenuador (0-100%)	
2	000-255	Atenuador UV (0-100%)	
3	000-255	Velocidad del estroboscopio	De lento a rápido

Modo 3+ canales DMX: De blanco frío a blanco cálido y UV

Canal:	Valor:	Función:	Comentarios
1	000-255	Atenuador maestro (0-100%)	Solo para el color blanco
2	000-255	Temperatura del color para el blanco	3200K a 10000K
3	000-255	Atenuador UV (0-100%)	

Modo 4 canal DMX: R-G-B + ATENUADOR MAESTRO/ESTROBOSCOPIO

Nota: Este modo se puede usar con el LEDCON-02 Mk2 de JB Systems

Canal:	Valor:	Función:	Comentarios
1	000-255	Rojo (0-100%)	
2	000-255	Verde (0-100%)	
3	000-255	Azul (0-100%)	
4	000-190	Atenuador maestro	000=0% ~ 200=100% (totalmente abierto)
	191-200	Seguimiento del sonido	
	201-247	Estrobo	Velocidad en aumento: 201=lenta ~ 247=rápida
	248-255	Atenuador maestro @ 100%	El atenuador maestro está completamente abierto

Modo 8 canal DMX: R-G-B-W-UV + ATENUADOR MAESTRO + CONTROL DEL ESTROBO

Canal:	Valor:	Función:	Comentarios
1	000-255	Rojo (0-100%)	
2	000-255	Verde (0-100%)	
3	000-255	Azul (0-100%)	
4	000-255	Blanco (0-100%)	
5	000-255	Ámbar (0-100%)	
6	000-255	UV (0-100%)	
7	000-255	Atenuador maestro	
8	000	Estrobo desactivado	
	001-005	Control de sonido	
	006-010	Estrobo desactivado	
	011-255	Velocidad del estroboscopio	Lento (011) a Rápido (255)

Modo 9 canal DMX: R-G-B-W-UV + ATENUADOR MAESTRO + CONTROL DEL ESTROBO + MACROS DE COLOR

Canal:	Valor:	Función:	Comentarios
1	000-255	Rojo (0-100%)	
2	000-255	Verde (0-100%)	
3	000-255	Azul (0-100%)	
4	000-255	Blanco (0-100%)	
5	000-255	Ámbar (0-100%)	
6	000-255	UV (0-100%)	
7	000-255	Atenuador maestro	
8	000	Estrobo desactivado	
	001-005	Control de sonido	
	006-010	Estrobo desactivado	
	011-255	Velocidad del estroboscopio	Lento (011) a Rápido (255)
9	000-007	Mezcla de color normal	Usar canales del 1 al 6
	008-255	Macros de color	Disponibilidad de 30 colores preinstalados

Modo 9+ canales:

R-G-B-W-UV + ATENUADOR MAESTRO + CONTROL DEL ESTROBO + ESPECTÁCULOS DE LUCES PREPROGRAMADOS

Canal:	Valor:	Función:	Comentarios
1	000-255	Atenuador maestro	
2	000-007	Activar/Abrir	
	008-037	Estroboscopia aleatorio	
	038-067	Estroboscopia por sonido	
	068-255	Velocidad del estroboscopia: Lento a rápido	
3	000-007	Sin función especial	
	008-247	Atenuación del color	Lento a rápido
	248-255	Seguimiento del sonido	
4	000-255	Rojo (0-100%)	
5	000-255	Verde (0-100%)	
6	000-255	Azul (0-100%)	
7	000-255	Blanco (0-100%)	
8	000-255	Ámbar (0-100%)	
9	000-255	UV (0-100%)	

MANTENIMIENTO

- Asegúrese de que el área debajo del lugar de instalación esté libre de personas no autorizadas cuando realice mantenimiento/repares.

- Apague la unidad, desenchufe el cable de alimentación y espere hasta que se enfríe.

Durante la inspección deben revisarse los puntos siguientes:

- Todos los tornillos utilizados para la instalación del dispositivo y cualquiera de sus componentes deben estar bien apretados y no pueden tener corrosión.
- Las carcasas, fijaciones y puntos de instalación (techo, refuerzos, suspensiones) deben estar totalmente libres de cualquier deformación.
- Cuando una lente óptica está visiblemente dañada debido a grietas o arañazos profundos, debe ser sustituida.
- Los cables de alimentación deben estar en condiciones impecables y deben sustituirse inmediatamente incluso si se detecta un problema pequeño.
- Para proteger el dispositivo contra el sobrecalentamiento, los ventiladores de enfriamiento (si hay alguno) y las aberturas de ventilación deben limpiarse mensualmente.
- La limpieza de las lentes ópticas y/o espejos internos y externos debe efectuarse periódicamente para optimizar la salida de la luz. La frecuencia de limpieza depende del entorno en el que opera el proyector; ambientes húmedos, con humo o especialmente sucios pueden provocar una mayor acumulación de suciedad en los componentes ópticos de la unidad.
 - Límpielos con un paño suave utilizando productos normales para la limpieza del vidrio.
 - Siempre seque cuidadosamente las piezas.

Atención: ¡Recomendamos encarecidamente que la limpieza interna sea realizada por técnicos cualificados!

ESPECIFICACIONES

Entrada de alimentación: 110-250Vca, 50/60Hz
Consumo de potencia: 120 vatios máximo.
Fusible: 250V 2A retardado (cristal 20mm)
Control de sonido: Micrófono interno
Conexiones DMX: XLR de 3 pines
Modos DMX: 1canal, 2 canales, 3 canales, 3+ canales, 4 canales, 8 canales, 9 canales, 9+ canales
LEDs: 12 unidades LED de 12W "6-en-1" (rojo, verde, azul, blanco, ámbar, UV)
Ángulo del haz: 25°
Tamaño: 300 x 275 x 300mm
Peso: 3.5kg

La información podría modificarse sin aviso previo

Puede descargar la versión más reciente de este manual de usuario en nuestro sitio Web:
www.briteq-lighting.com



MAILING LIST

EN: Subscribe today to our mailing list for the latest product news!

FR: Inscrivez-vous à notre liste de distribution si vous souhaitez suivre l'actualité de nos produits!

NL: Abonneer je vandaag nog op onze mailinglijst en ontvang ons laatste product nieuws!

DE: Abonnieren Sie unseren Newsletter und erhalten Sie aktuelle Produktinformationen!

ES: Suscribete hoy a nuestra lista de correo para recibir las últimas noticias!

WWW.BRITEQ-LIGHTING.COM

Copyright © 2016 by BEGLEC NV

t Hofveld 2C ~ B1702 Groot-Bijgaarden ~ Belgium

Reproduction or publication of the content in any manner, without express permission of the publisher, is prohibited.