

ENGLISH

Spider Dex 1x1 m/2x1 m/1 x 0,5 m/2x0,5 m/1 m Quadrant V1

Ordercode: 70650 70651 70652 70653 70654

Table of contents

Warning 1
Safety Instructions 2
Operating Determinations 3
Return Procedure 4
Claims 4

Description of the device 5
Accessories 6
Overview 7

Installation 7
One Spider 7
Multiple Spiders 8
Spider Stage Self-leveling Insert Installation 8
Spider Stage Clamp Installation 9
Leg Clamp Installation 10
Spider Stage Bottom Clamp Installation 10
Spider Stairs Installation 11
Spider Stairs (adjustable 600-1000 mm) Installation 12
Spider Stairs Guardrail Installation 13
Spider Stopbar Installation 13
Spider Guardrail Installation 14
Installation Example 15
Connection Examples 16
100 x 100 cm Setup Example 16
200 x 100 cm Setup Example 17

Maintenance 18

Product Specifications 18

Warning



For your own safety, please read this user manual carefully
before your initial start-up!

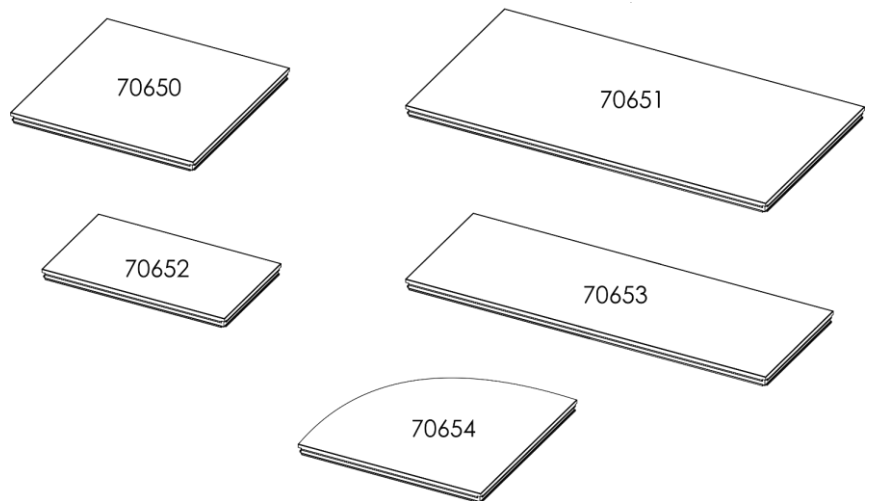


Unpacking Instructions

Immediately upon receiving this product, carefully unpack the carton and check the contents to ensure that all parts are present, and have been received in good condition. Notify the dealer immediately and retain packing material for inspection if any parts appear damaged from shipping or the carton itself shows signs of mishandling. Save the carton and all packing materials. In the event that a fixture must be returned to the factory, it is important that the fixture be returned in the original factory box and packing.

Your shipment includes:

- Showtec Spider Dex stage deck
- User manual



Safety Instructions

Every person involved with the installation, operation and maintenance of this device has to:

- be qualified
- follow the instructions of this manual

Before assembly, please make sure that there is no damage caused by transportation. Should there be any, consult your dealer and do not use the device.

To maintain perfect condition and to ensure a safe usage, it is absolutely necessary for the user to follow the safety instructions and warning notes contained in this manual.

Please consider that damages caused by manual modifications to the device are not subject to warranty.

This device contains no user-serviceable parts. Refer servicing to qualified technicians only.

IMPORTANT:

The manufacturer will not accept liability for any resulting damages caused by the non-observance of this manual or any unauthorized modification to the device.

- Never remove warning or informative labels from the unit.
- Avoid brute force when installing the device.
- Only use the device after having checked if all screws are tightly fastened.
- If your Showtec device fails to work properly, discontinue the use immediately. Pack the unit securely (preferably in the original packing material), and return it to your Showtec dealer for service.
- The user is responsible for correct positioning of the Spider Dex. The manufacturer will not accept liability for damages caused by the misuse or incorrect installation of this device.
- Repairs and servicing must be carried out by a qualified technician.
- WARRANTY: Till one year after date of purchase.

Operating Determinations

- If this device is used in any other way than the one described in this manual, the product may suffer damages and the warranty becomes void.
- Any other operation may lead to dangers like crash, collapse etc.

You endanger your own safety and the safety of others!





Return Procedure



Returned merchandise must be sent prepaid and in the original packing, call tags will not be issued. Package must be clearly labeled with a Return Authorization Number (RMA number). Products returned without an RMA number will be refused. Highlite will not accept the returned goods or any responsibility. Call Highlite 0031-455667723 or mail aftersales@highlite.com and request an RMA prior to shipping the fixture. Be prepared to provide the model number, serial number and a brief description of the cause for the return. Be sure to properly pack fixture, any shipping damage resulting from inadequate packaging is the customer's responsibility. Highlite reserves the right to use its own discretion to repair or replace product(s). As a suggestion, proper UPS packing or double-boxing is always a safe method to use.

Note: If you are given an RMA number, please include the following information on a piece of paper inside the box:

- 01) Your name
- 02) Your address
- 03) Your phone number
- 04) A brief description of the symptoms

Claims

The client has the obligation to check the delivered goods immediately upon delivery for any shortcomings and/or visible defects, or perform this check after our announcement that the goods are at their disposal. Damage incurred in shipping is the responsibility of the shipper; therefore the damage must be reported to the carrier upon receipt of merchandise.

It is the customer's responsibility to report and submit claims with the shipper in the event that a fixture is damaged due to shipping. Transportation damage has to be reported to us within one day after receipt of the delivery.

Any return shipment has to be made post-paid at all times. Return shipments must be accompanied with a letter defining the reason for return shipment. Non-prepaid return shipments will be refused, unless agreed otherwise in writing.

Complaints against us must be prepared in writing or sent by fax within 10 working days after receipt of the invoice. After this period complaints will not be handled anymore.

Complaints will only then be considered if the client has so far complied with all parts of the agreement, regardless of the agreement from which the obligation is resulting.

Description of the device

Features

The Spider Dex is a stage set featuring a non-slip surface structure. It is perfectly suitable for outdoor use. Thanks to its efficient aluminum construction, the Spider Dex is extremely easy to set up and it complies with the most strict safety standards.

It is possible to combine multiple Spider Dex sets, as the stage decks can be attached to each other by means of the special clamp.

- Maximum load: 750 kg/m²
- Material (profile): Aluminum (6063-T66)
- Material (stage deck): Birch Hexa Plywood
- Dimensions: 1000 x 1000 x 90 mm (LxWxH) **(70650)**
2000 x 1000 x 90 mm (LxWxH) **(70651)**
1000 x 500 x 90 mm (LxWxH) **(70652)**
2000 x 500 x 90 mm (LxWxH) **(70653)**
1000 x 1000 x 90 mm (LxWxH) **(70654)**
- Weight: 18,1 kg **(70650)**
30,61 kg **(70651)**
12,15 kg **(70652)**
18,8 kg **(70653)**
14,9 kg **(70654)**

Spider Dex stage decks

[70650](#) – Spider Dex 100 x 100 cm

[70651](#) – Spider Dex 200 x 100 cm

[70652](#) – Spider Dex 100 x 50 cm

[70653](#) – Spider Dex 200 x 50 cm

[70654](#) – Spider Dex Quadrant

Spider Dex assembly

[70630](#) – Spider Stage Clamp

[70633](#) – Spider Stairs 20+40 cm (2 steps)

[70634](#) – Spider Stairs 60 cm (1 step)

[70635](#) – Spider Stairs 80 cm (1 step)

[70636](#) – Spider Stage Bottom Clamp

[70637](#) – Spider Stage Self-leveling Insert

[70639](#) – Spider Stairs 20 cm (1 step)

[70640](#) – Spider Stairs (adjustable: 600-1000 mm)

[70641](#) – Spider Stairs Guardrail (for the adjustable Spider Stairs)

[70642](#) – Spider-D Guardrail (1 m)

[70643](#) – Spider-D Guardrail (2 m)

[70644](#) – Spider-D Guardrail Clamp

[70645](#) – Spider-D Guardrail Coupler

[70658](#) – Two Leg clamp

[70659](#) – Four Leg clamp

[70660](#) – Spider-D Leg 20 cm

[70661](#) – Spider-D Leg 40 cm

[70662](#) – Spider-D Leg 60 cm

[70663](#) – Spider-D Leg 80 cm

[70664](#) – Spider-D Leg 100 cm

[70665](#) – Spider-D Telescopic Leg 40-60 cm

[70666](#) – Spider-D Telescopic Leg 60-100 cm

[70667](#) – Spider-D Leg with wheel 25 cm

[70668](#) – Spider-D Leg with wheel 40 cm

[70670](#) – Spider Stopbar 1 m

[70671](#) – Spider Stopbar 2 m

[70680](#) – Spider transport trolley 2 x 1 (for 10 stages/decks)

[70681](#) – Spider transport trolley 2 x 1 (for 6 stages/decks)

[70682](#) – Spider transport for handrails

Accessories

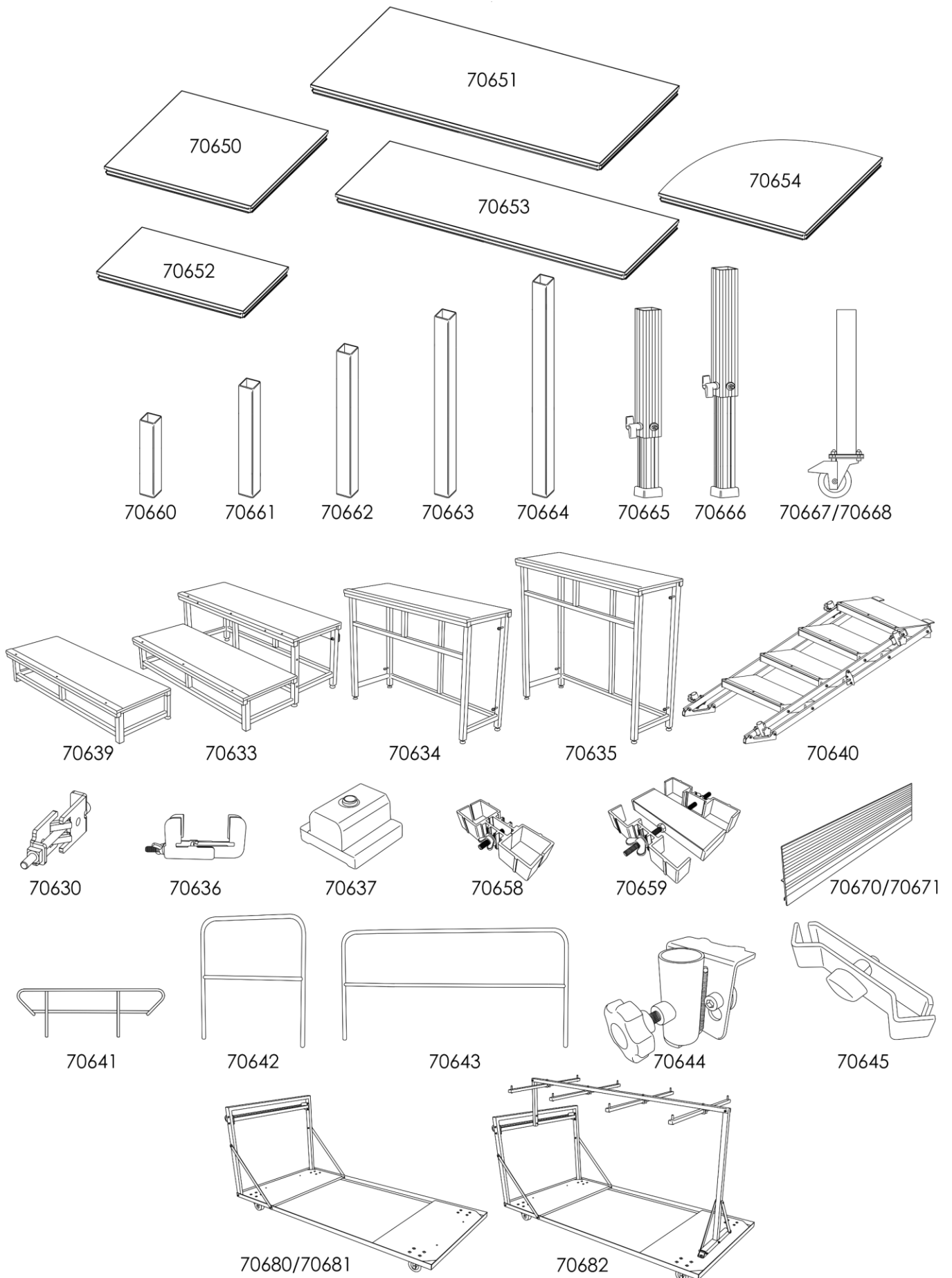


Fig. 01

Overview

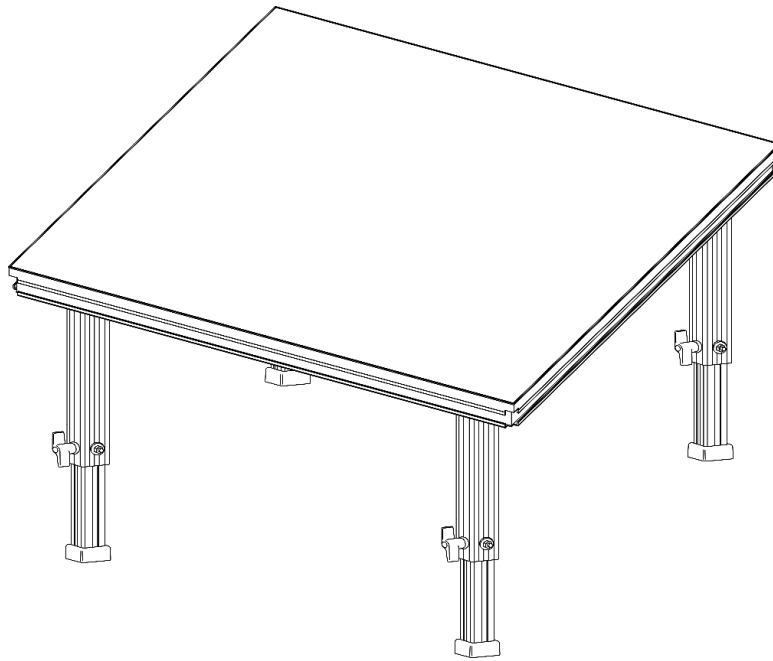


Fig. 02

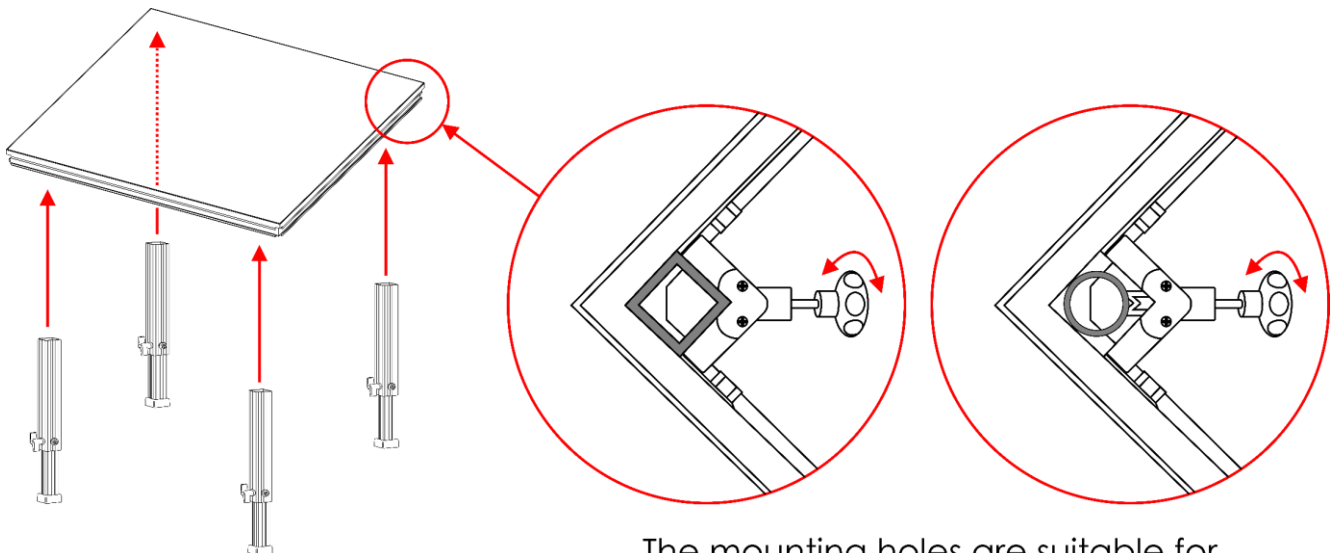
Installation

Remove all packing materials from the Spider Dex. Check if all foam and plastic padding is removed.

Damages caused by non-observance are not subject to warranty.

One Spider

- 01) Unpack the Spider Dex stage deck and the Spider-D legs.
- 02) Place the Spider-D legs in the mounting holes on the bottom of the Spider Dex stage deck. Tighten the mounting screws to secure the legs in position.



The mounting holes are suitable for square and round legs

Fig. 03

- 03) Check whether all the elements have been mounted properly.

Multiple Spiders

Spider Stage Self-leveling Insert Installation

- 01) Unpack two sets of the Spider Dex.
- 02) In order to level the two sets, insert the Spider Stage Self-leveling Insert (**70637**) in between the two stage decks, in the center of the profile (see fig. 04).
- 03) Connect both sets using the Spider Stage Clamp (**70630**) and the Spider Stage Bottom Clamp (**70636**).
- 04) See the setup examples (pages 16-17) for the correct placement of the Spider Stage Self-leveling Insert.

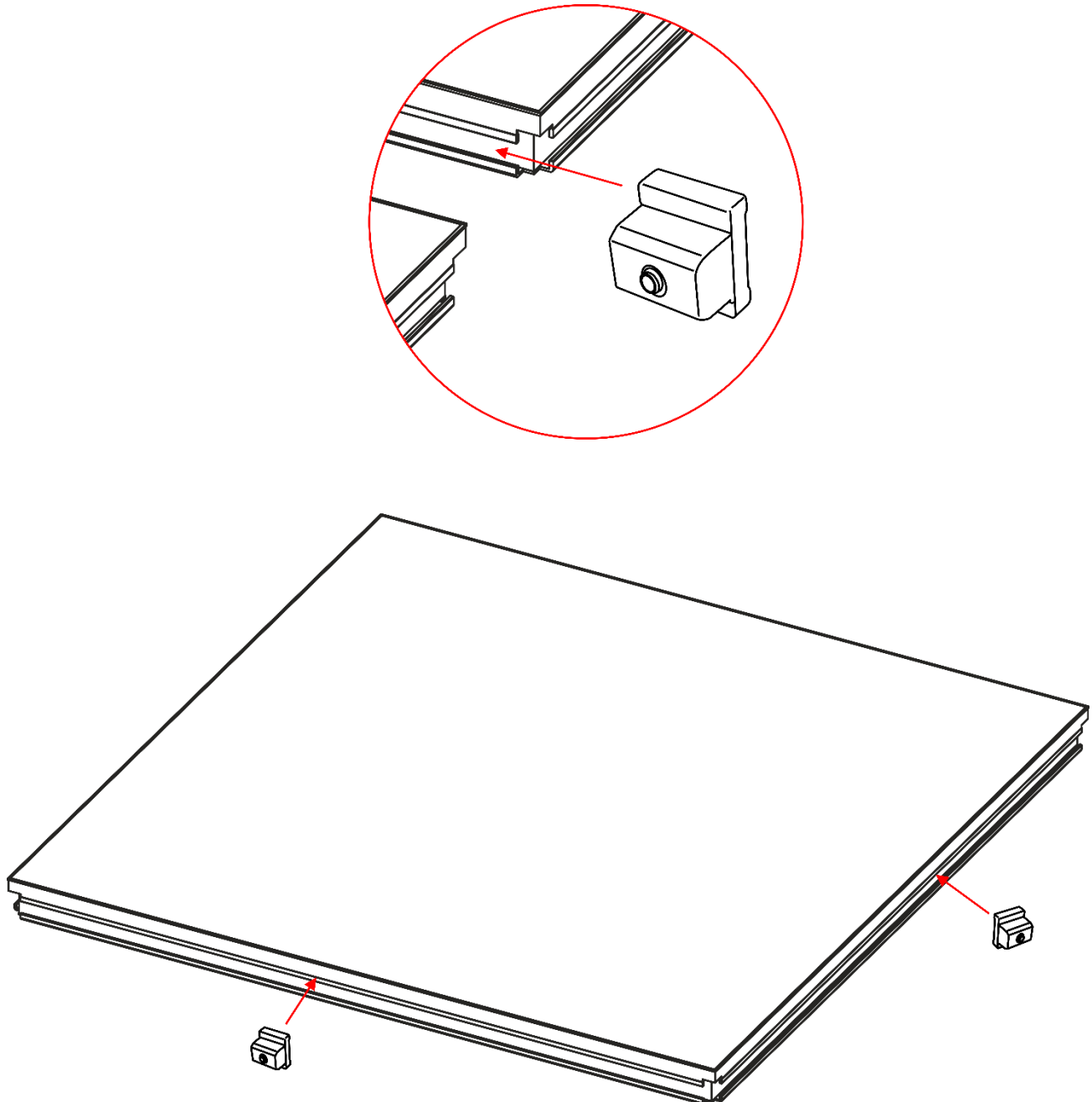


Fig. 04

Spider Stage Clamp Installation

- 01) Unpack two Spider Dex stage decks and place them next to each other.
- 02) Insert the Spider Stage Clamp (70630) in between the two stage decks.
- 03) Tighten the clamp to secure it in position.

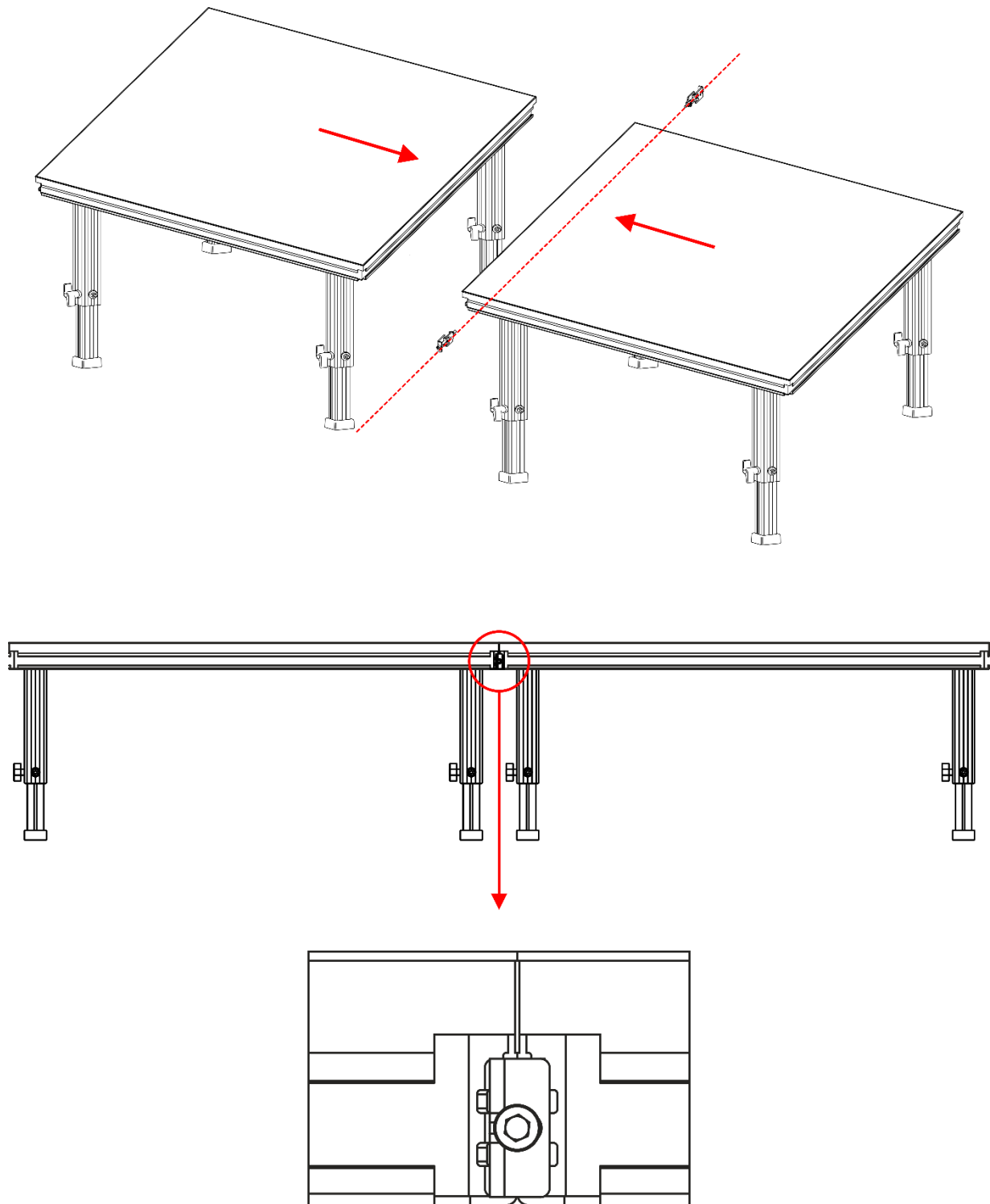


Fig. 05

Note: All Spider Dex stage decks (70650/70651/70652/70653/70654) are interchangeable, which makes it possible to build a stage of any desired shape or size.

Leg Clamp Installation

- 01) Once you have installed multiple Spider Dex stage decks, it is recommended to stabilize their legs.
- 02) In order to do so, you can use the leg clamps (**70658**) for 2 legs or (**70659**) for 4 legs.

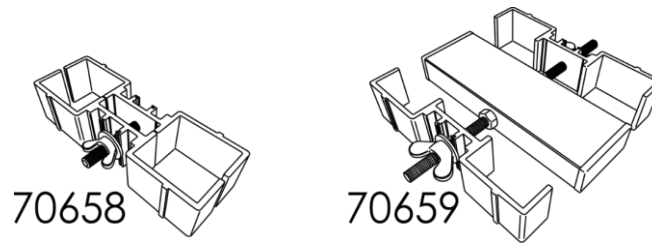


Fig. 06

- 03) Install the leg clamp around the Spider-D legs. Tighten the screw to secure the leg clamp in position.

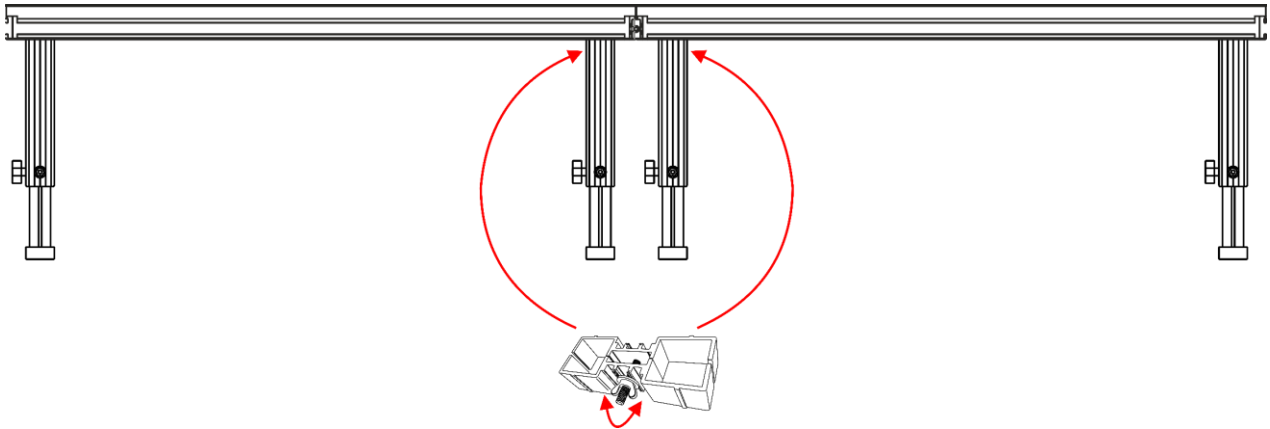


Fig. 07

Spider Stage Bottom Clamp Installation

It is possible to stabilize the Spider Dex stage decks by connecting the neighboring decks by means of the Spider Stage Bottom Clamp (**70636**).

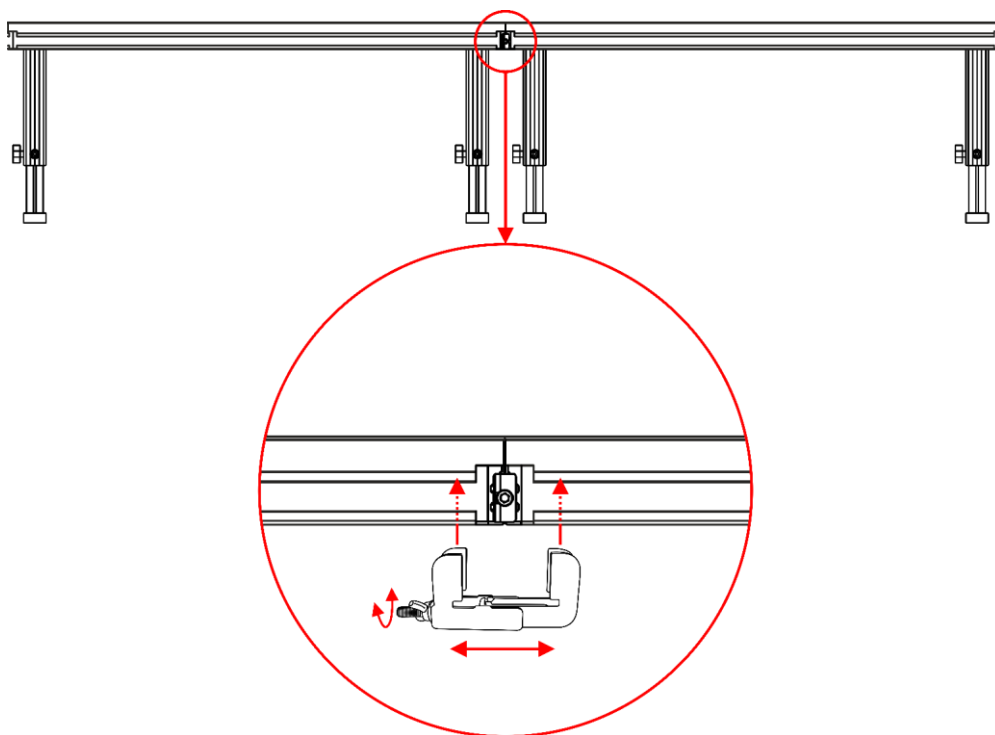


Fig. 08

- 01) Place the Spider Stage Bottom Clamp on the bottom of the two neighboring stage decks, in the center of the profile.
- 02) Tighten the screw to secure the clamp in position.

Spider Stairs Installation

- 01) Unpack the Spider Stairs (**70633/70634/70635/70639**).
- 02) Insert the elements as shown below:

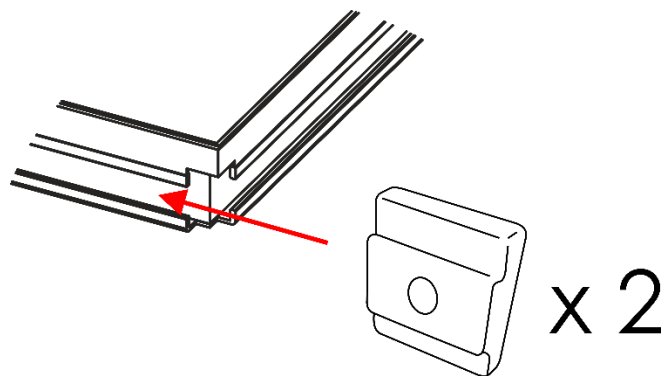


Fig. 09

- 03) Attach the Spider Stairs to the Spider Dex stage deck. Tighten the screws.

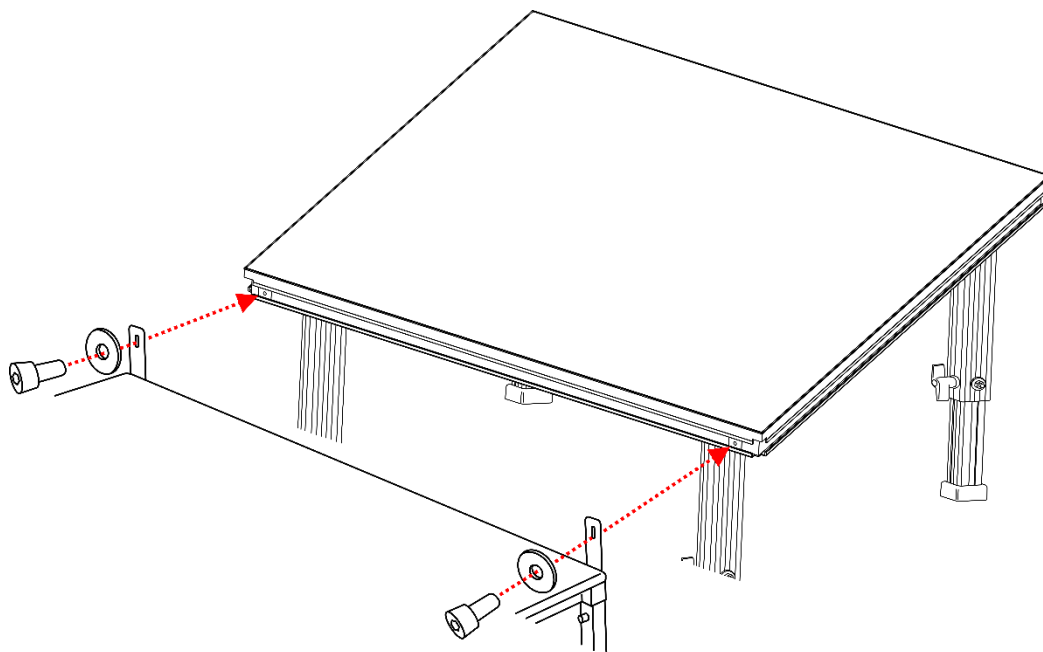


Fig. 10



When installing the Spider stairs, keep in mind that the total height of the stairs should be 20 cm lower than the total height of the stage (e.g. if your Spider Dex stage is 80 cm high, your stairs should be 60 cm high).



Spider Stairs (adjustable 600-1000 mm) Installation

- 01) Unpack the Spider Stairs (70640).
- 02) Insert the elements as shown below:

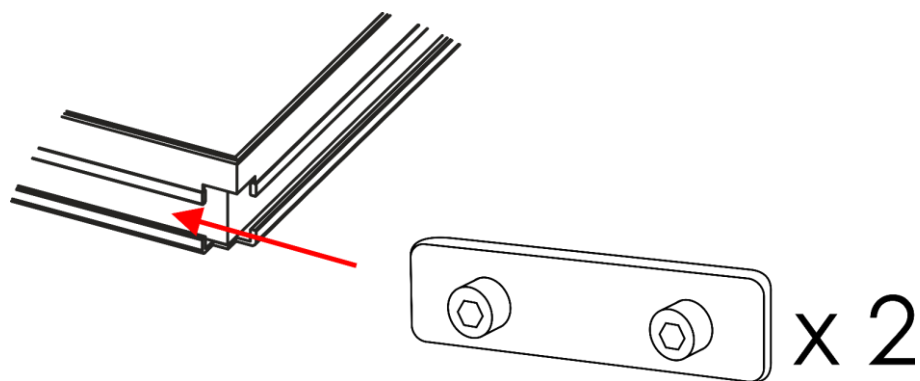


Fig. 11

- 03) Secure the Spider Stairs to the Spider Dex stage deck.

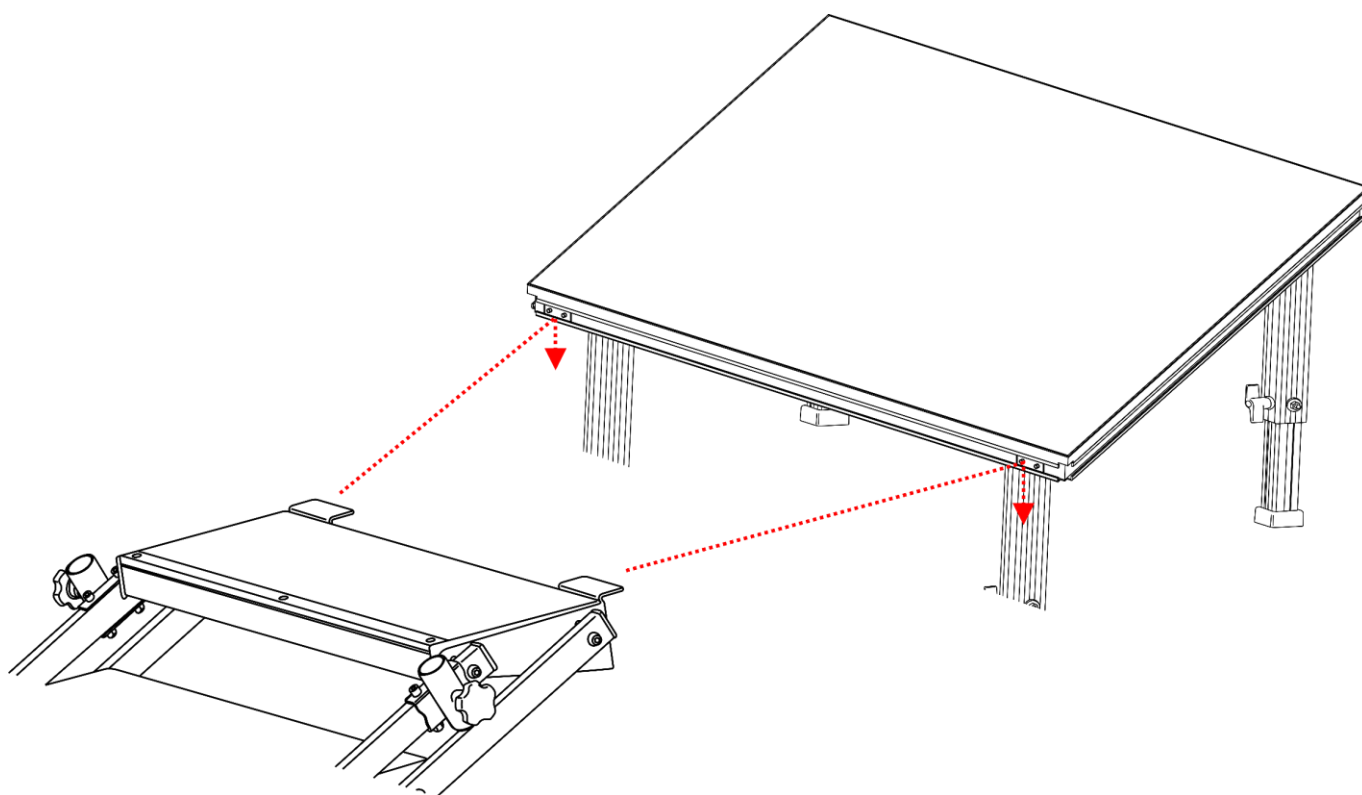


Fig. 12

- 04) Tighten the mounting screws.

Spider Stairs Guardrail Installation

01) Insert the Spider Stairs Guardrail (**70641**) into the couplers on the adjustable Spider Stairs (**70640**).

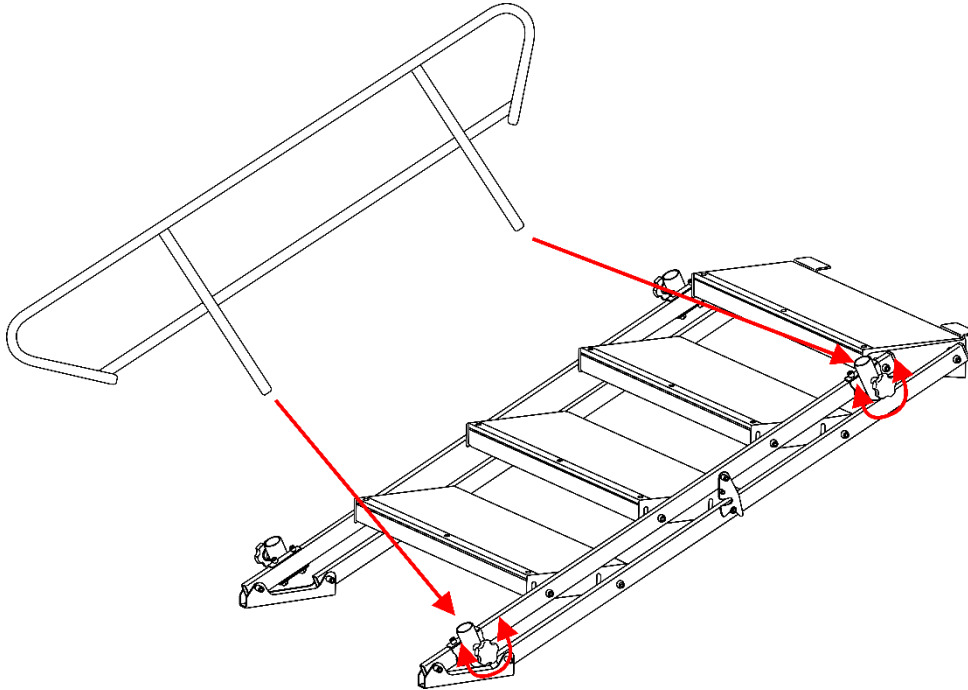


Fig. 13

02) Tighten the screws on the couplers to secure the guardrail in position.

Spider Stopbar Installation

It is possible to mount the Spider Stopbar (**70670/70671**), in order to prevent stage equipment from falling off the stage.

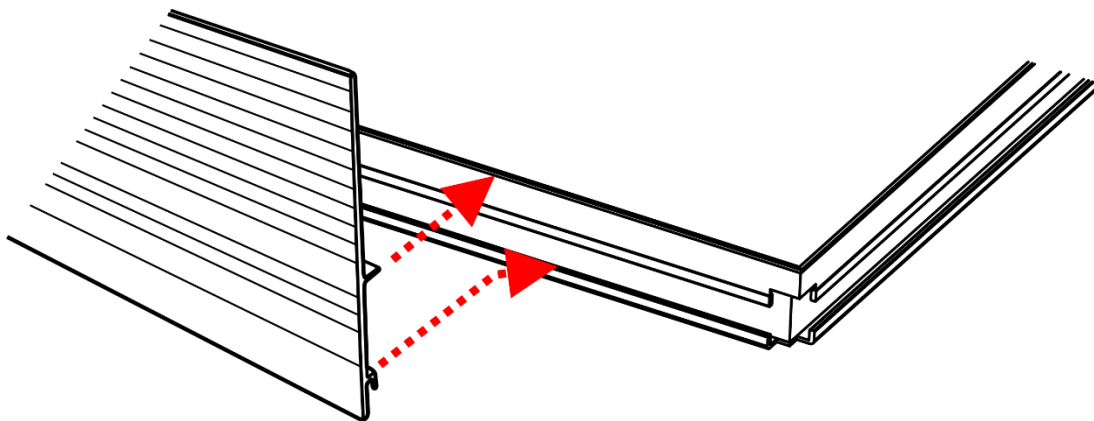


Fig. 14

Spider Guardrail Installation

01) Install the elements as shown below:

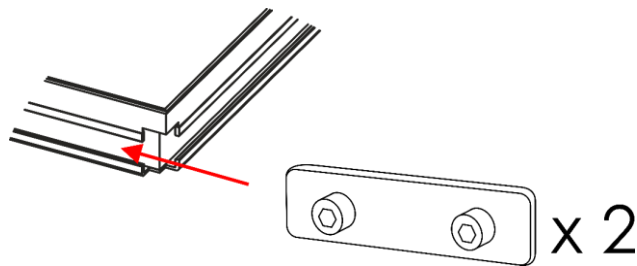


Fig. 15

02) Install the Spider-D Guardrail Clamps (**70644**) and the Spider-D Guardrails (**70642/70643**). Tighten all the screws.

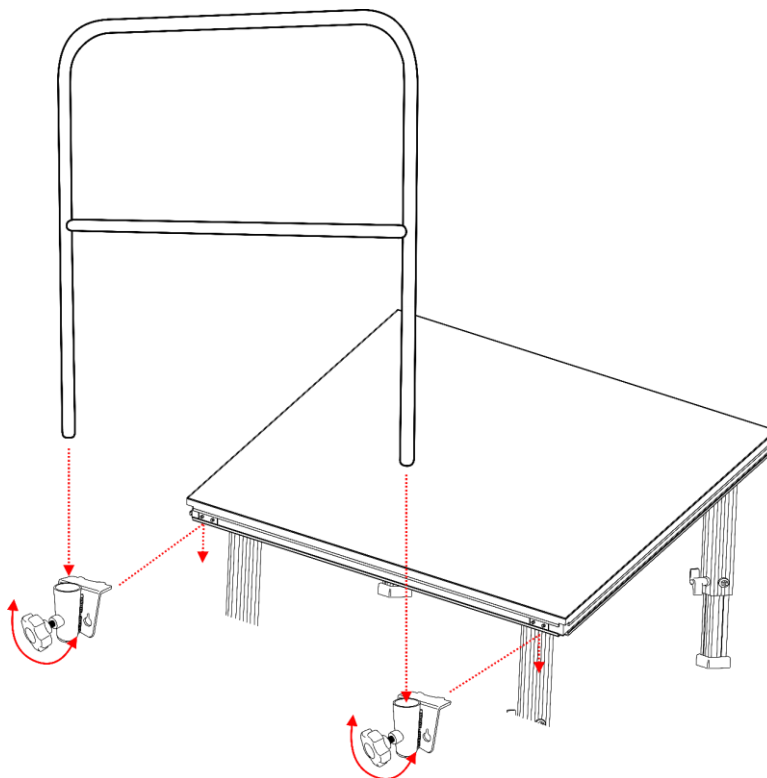


Fig. 16

03) Install the Spider-D Guardrail Couplers (**70645**) to connect the neighboring guardrails.

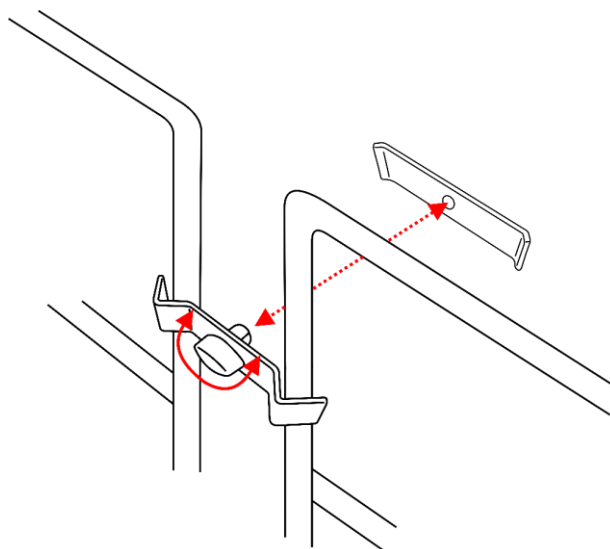


Fig. 17

Installation Example

It is possible to attach multiple Spider decks to each other. In order to create more stability, when connecting inner decks, use the Spider Stage clamps (**70630**) as presented below:

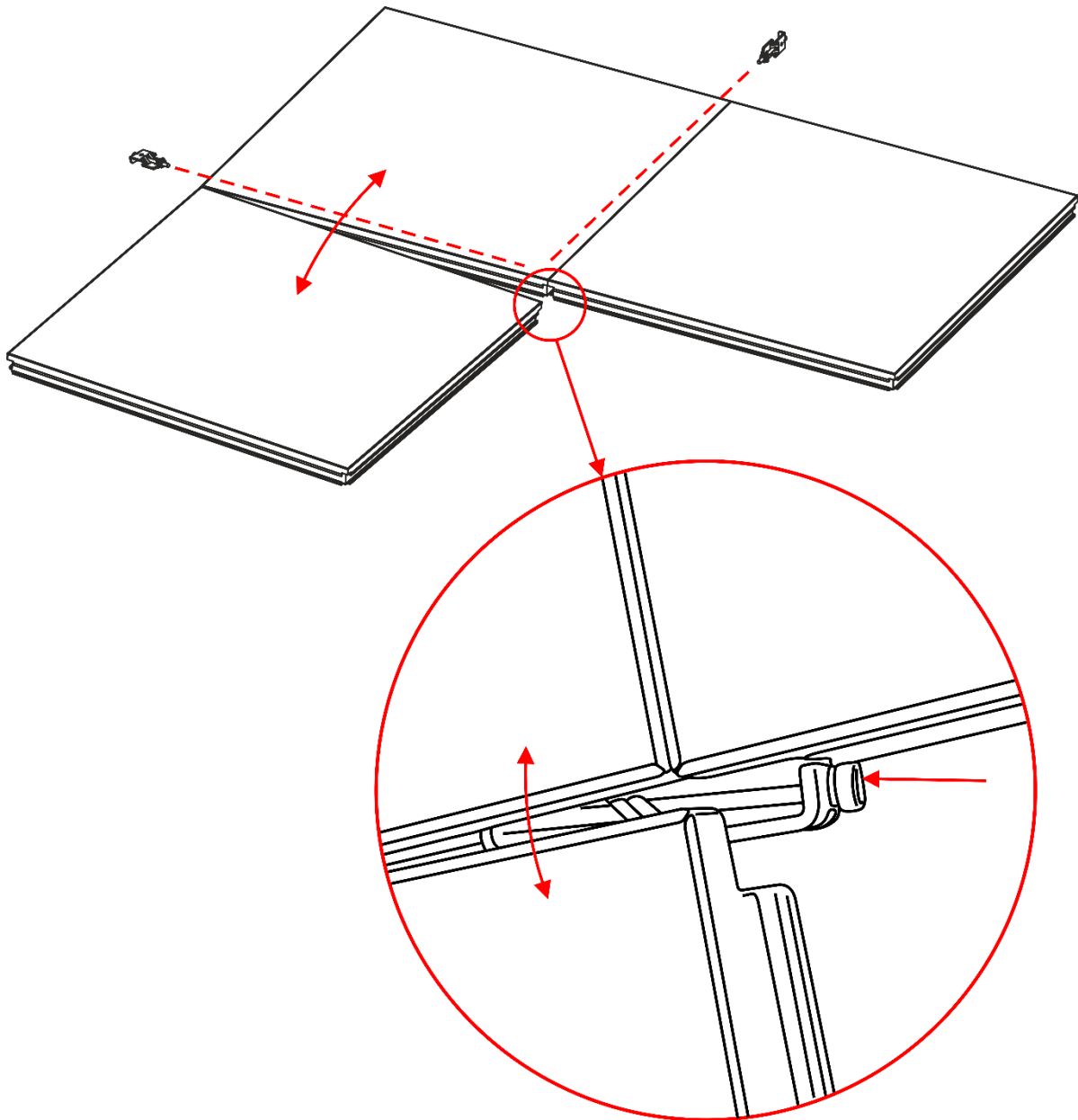


Fig. 18

- 01) In order to connect two inner decks, slightly pull them out of each other to create adequate space for inserting the Spider Stage clamp.
- 02) Loosen the screw to make the Spider Stage clamp more flexible.
- 03) Slide the Spider Stage clamp partially into the slot, to connect both Spider Dex stage decks.
- 04) Once it's in, insert the Spider Stage clamp completely into the slot.
- 05) Tighten the screw.
- 06) In this way, the Spider Dex stage decks will be fitted to each other not only on the outside but also on the inside of the installation, which adds to the overall stability.
- 07) For more details, see pages 16-17.

Connection Examples

100 x 100 cm Setup Example

The list of needed items:

- (A) 12x Spider Dex 100 x 100 cm (70650)
- (B) 22x Spider Stage Clamp (70630)
- (C) 17x Spider Stage Self-leveling Insert (70637)
- (D) 1x Spider Stairs 20/20+40/60/80/60-100 cm (70633/70634/70635/70639/70640)
- (E) 48x Spider-D Legs 20/40/60/80/100 cm (70660/70661/70662/70663/70664/70665/70666/70667/70668)
- (F) 10x Two Leg clamp (70658)
- (G) 6x Four Leg clamp 4 legs (70659)
- (H) 3x Spider Stopbar 1 m (70670)
- (I) 17x Spider Stage Bottom Clamp (70636)
- (J) 12x Spider-D Guardrail Clamp (70644)
- (K) 2x Spider-D Guardrail (1 m) (70642)
- (L) 4x Spider-D Guardrail (2 m) (70643)
- (M) 4x Spider-D Guardrail Coupler (70645)
- 1x Spider transport trolley 2 x 1 (for 6 stages/decks) (70681)

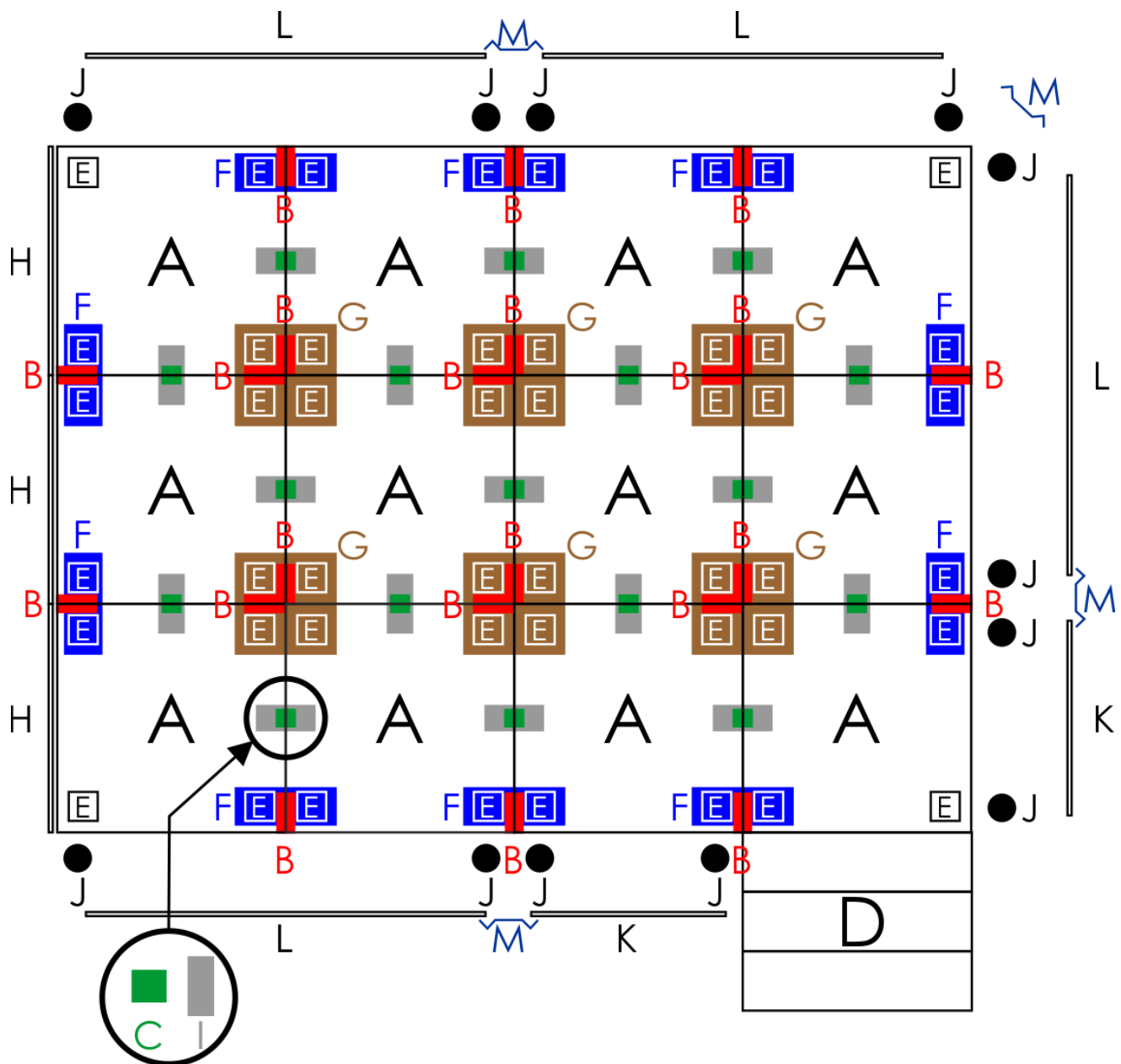


Fig. 19

200 x 100 cm Setup Example

The list of needed items:

- (A) 6x Spider Dex 200 x 100 cm (70651)
- (B) 10x Spider Stage Clamp (70630)
- (C) 11x Spider Stage Self-leveling Insert (70637)
- (D) 1x Spider Stairs 20/20+40/60/80/60-100 cm (70633/70634/70635/70639/70640)
- (E) 24x Spider-D Legs 20/40/60/80/100 cm (70660/70661/70662/70663/70664/70665/70666/70667/70668)
- (F) 6x Two Leg clamp (70658)
- (G) 2x Four Leg clamp 4 legs (70659)
- (H) 3x Spider Stopbar 1 m (70670)
- (I) 11x Spider Stage Bottom Clamp (70636)
- (J) 12x Spider-D Guardrail Clamp (70644)
- (K) 2x Spider-D Guardrail (1 m) (70642)
- (L) 4x Spider-D Guardrail (2 m) (70643)
- (M) 4x Spider-D Guardrail Coupler (70645)
- 1x Spider transport trolley 2 x 1 (for 6 stages/decks) (70681)

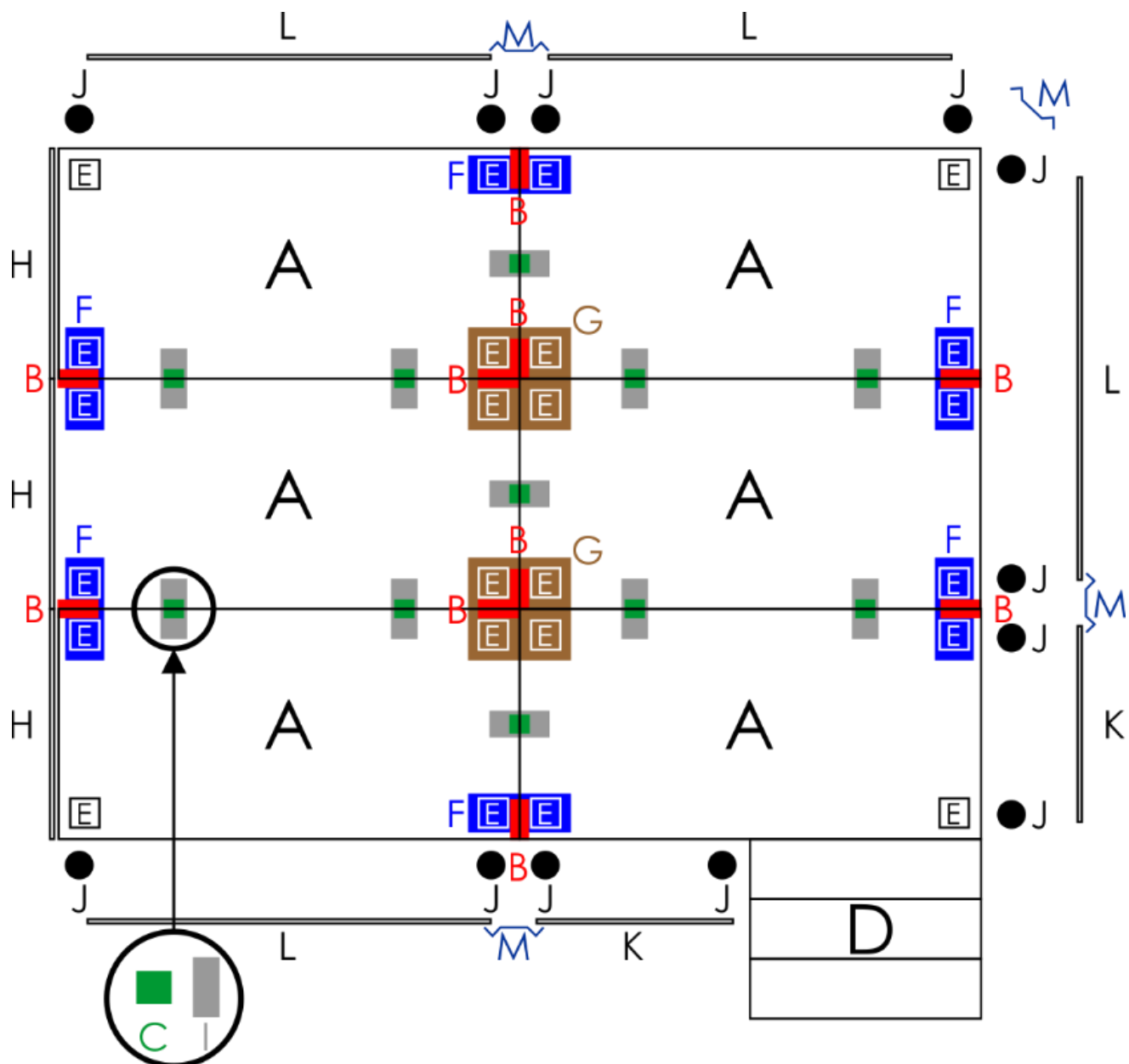


Fig. 20

Maintenance

The user has to make sure that safety-related installations are to be inspected by an expert after every year in the course of an acceptance test.

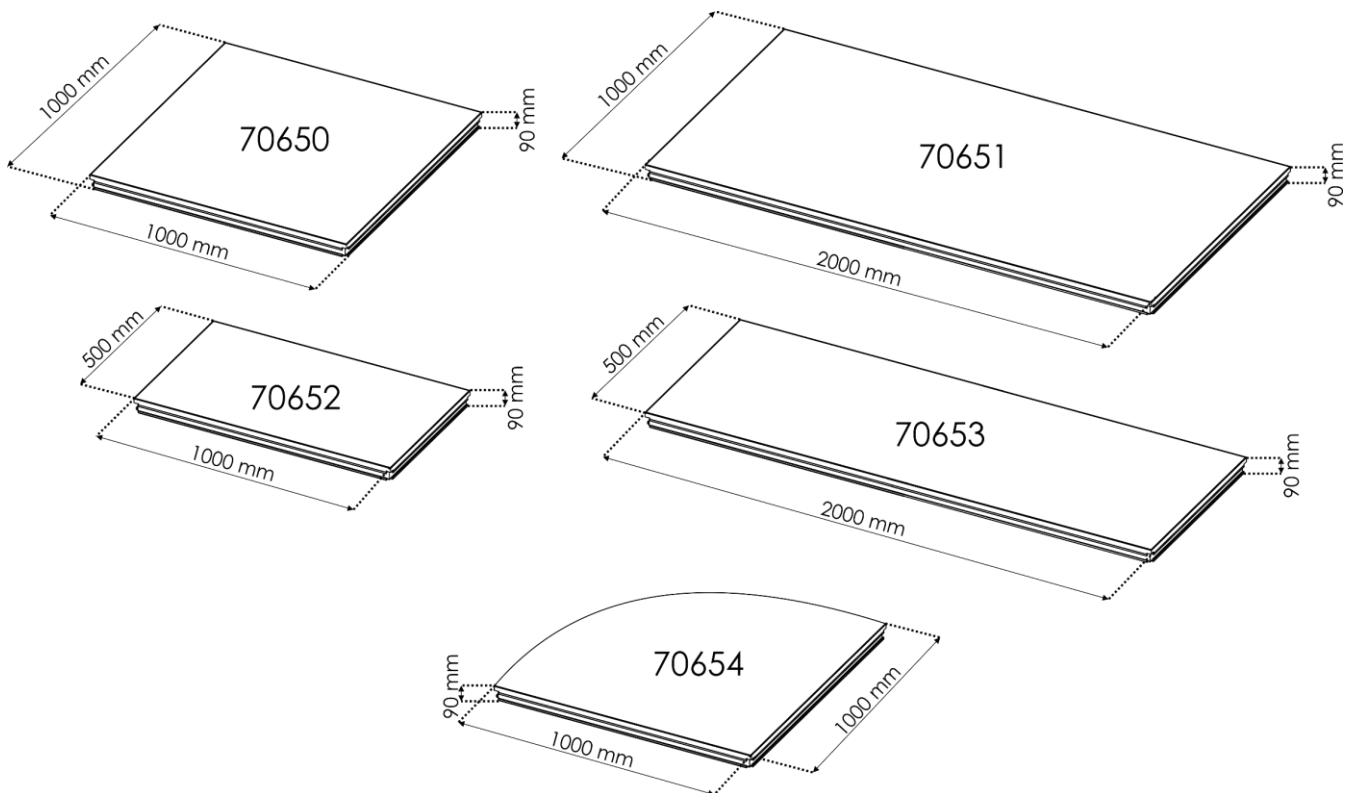
The user has to make sure that safety-related installations are to be inspected by a skilled person once a year.

The following points have to be considered during the inspection:

- 01) All screws used for installing the device or parts of the device have to be tightly connected and must not be corroded.
- 02) There may not be any deformations on housings, fixations and installation spots.
- 03) Mechanically moving parts like axles, eyes and others may not show any traces of wearing.

Product Specifications

Model:	Showtec Spider Dex
Maximum load:	750 kg/m ²
Material (profile):	Aluminum (6063-T66)
Material (stage deck):	Birch Hexa Plywood
Dimensions:	1000 x 1000 x 90 mm (LxWxH) (70650) 2000 x 1000 x 90 mm (LxWxH) (70651) 1000 x 500 x 90 mm (LxWxH) (70652) 2000 x 500 x 90 mm (LxWxH) (70653) 1000 x 1000 x 90 mm (LxWxH) (70654)
Weight:	18,1 kg (70650) 30,61 kg (70651) 12,15 kg (70652) 18,8 kg (70653) 14,9 kg (70654)



Design and product specifications are subject to change without prior notice.



Website: www.Showtec.info

Email: service@highlite.com



©2017 Showtec