

FUZE WASH Z350™

user manual

©2020 ELATION PROFESSIONAL all rights reserved. Information, specifications, diagrams, images, and instructions herein are subject to change without notice. ELATION PROFESSIONAL logo and identifying product names and numbers herein are trademarks of ELATION PROFESSIONAL. Copyright protection claimed includes all forms and matters of copyrightable materials and information now allowed by statutory or judicial law or hereinafter granted. Product names used in this document may be trademarks or registered trademarks of their respective companies and are hereby acknowledged. All non-ELATION brands and product names are trademarks or registered trademarks of their respective companies.

ELATION PROFESSIONAL and all affiliated companies hereby disclaim any and all liabilities for property, equipment, building, and electrical damages, injuries to any persons, and direct or indirect economic loss associated with the use or reliance of any information contained within this document, and/or as a result of the improper, unsafe, insufficient and negligent assembly, installation, rigging, and operation of this product.

Elation Professional USA | 6122 S. Eastern Ave. | Los Angeles, CA. 90040
 323-582-3322 | 323-832-9142 fax | www.elationlighting.com | info@elationlighting.com

Elation Professional B.V. | Junostraat 2 | 6468 EW Kerkrade, The Netherlands
 +31 45 546 85 66 | +31 45 546 85 96 fax | www.elationlighting.eu | info@elationlighting.eu

Elation Professional Mexico | AV Santa Ana 30 | Parque Industrial Lerma, Lerma, Mexico 52000
 +52 (728) 282-7070

DOCUMENT VERSION



Due to additional product features and/or enhancements, an updated version of this document may be available online. Please scan the QR Code with your mobile device or visit www.elationlighting.com for the latest revision/update of this manual, before installation and/or programming.

| Date | Document Version | Software Version ≥ | DMX Channel Modes | Notes |
|----------|------------------|--------------------|-------------------|--|
| 09/15/16 | 1 | 1.01 | 15/ 16/ 17 / 19 | Initial release. |
| 09/19/16 | 1.2 | 1.01 | 15/ 16/ 17 / 19 | Added missing section of DMX traits. |
| 04/19/17 | 1.3 | N/C | NO CHANGE | Updated Zoom Beam Angles and Max Power Specs |
| 09/27/18 | 1.4 | 1.15 2.16 | NO CHANGE | Updated System Menu and DMX traits – added selectable LED Refresh Rates. |
| 03/25/19 | 1.6 | 2.18 | NO CHANGE | Updated System Menu (Gamma and Calibrate) |
| 07/01/20 | 1.8 | 2.1.10 | NO CHANGE | Updated System Menu (Removed Gamma and added Dimmer curve settings), and updated thermal |

CONTENTS

| | |
|----------------------------------|----|
| General Information | 4 |
| Limited Warranty (USA Only) | 6 |
| Safety Guidelines | 7 |
| Fixture Overview | 9 |
| Installation Guidelines | 10 |
| Optional Snoot Installation | 13 |
| System Menu | 14 |
| DMX Channel Functions And Values | 18 |
| Error Codes | 23 |
| Maintenance Guidelines | 24 |
| Specifications | 25 |
| Optional Accessories | 27 |

GENERAL INFORMATION

INTRODUCTION

Please read and understand the instructions in this manual carefully and thoroughly before attempting to operate this device. These instructions contain important safety and use information.

UNPACKING

Every device has been thoroughly tested and has been shipped in perfect operating condition. Carefully check the shipping carton for damage that may have occurred during shipping. If the carton is damaged, carefully inspect the device for damage, and be sure all accessories necessary to install and operate the device have arrived intact. In the event damage has been found or parts are missing, please contact our customer support team for further instructions. Please do not return this device to your dealer without first contacting customer support. Please do not discard the shipping carton in the trash. Please recycle whenever possible.

BOX CONTENTS

Omega Brackets (x2)
Power Cable

CUSTOMER SUPPORT

Contact ELATION Service for any product related service and support needs. Also visit forums.elationlighting.com with questions, comments or suggestions.

ELATION SERVICE USA - Monday - Friday 8:00am to 4:30pm PST
323-582-3322 | Fax 323-832-9142 | support@elationlighting.com

ELATION SERVICE EUROPE - Monday - Friday 08:30 to 17:00 CET
+31 45 546 85 63 | Fax +31 45 546 85 96 | support@elationlighting.eu

REPLACEMENT PARTS please visit parts.elationlighting.com



I M P O R T A N T N O T I C E !

THERE ARE NO USER SERVICEABLE PARTS INSIDE THIS UNIT. DO NOT ATTEMPT ANY REPAIRS YOURSELF; DOING SO WILL VOID YOUR MANUFACTURES WARRANTY. DAMAGES RESULTING FROM MODIFICATIONS TO THIS FIXTURE AND/OR THE DISREGARD OF SAFETY INSTRUCTIONS AND GUIDELINES IN THIS MANUAL VOID THE MANUFACTURES WARRANTY AND ARE NOT SUBJECT TO ANY WARRANTY CLAIMS AND/OR REPAIRS.

LIMITED WARRANTY (USA ONLY)

A. Elation Professional hereby warrants, to the original purchaser, Elation Professional products to be free of manufacturing defects in material and workmanship for a period of two years (730 days), and Elation Professional product rechargeable batteries to be free of manufacturing defects in material and workmanship for a period of six months (180 days), from the original date of purchase. This warranty excludes discharge lamps and all product accessories. This warranty shall be valid only if the product is purchased within the United States of America, including possessions and territories. It is the owner's responsibility to establish the date and place of purchase by acceptable evidence, at the time service is sought. B. For warranty service, send the product only to the Elation Professional factory. All shipping charges must be pre-paid. If the requested repairs or service (including parts replacement) are within the terms of this warranty, Elation Professional will pay return shipping charges only to a designated point within the United States. If any product is sent, it must be shipped in its original package and packaging material. No accessories should be shipped with the product. If any accessories are shipped with the product, Elation Professional shall have no liability what so ever for loss and/or or damage to any such accessories, nor for the safe return thereof. C. This warranty is void if the product serial number and/or labels are altered or removed; if the product is modified in any manner which Elation Professional concludes, after inspection, affects the reliability of the product; if the product has been repaired or serviced by anyone other than the Elation Professional factory unless prior written authorization was issued to purchaser by Elation Professional; if the product is damaged because not properly maintained as set forth in the product instructions, guidelines and/or user manual. D. This is not a service contract, and this warranty does not include any maintenance, cleaning or periodic check-up. During the periods as specified above, Elation Professional will replace defective parts at its expense, and will absorb all expenses for warranty service and repair labor by reason of defects in material or workmanship. The sole responsibility of Elation Professional under this warranty shall be limited to the repair of the product, or replacement thereof, including parts, at the sole discretion of Elation Professional. All products covered by this warranty were manufactured after January 1, 1990, and bare identifying marks to that effect. E. Elation Professional reserves the right to make changes in design and/or performance improvements upon its products without any obligation to include these changes in any products theretofore manufactured. F. No warranty, whether expressed or implied, is given or made with respect to any accessory supplied with the products described above. Except to the extent prohibited by applicable law, all implied warranties made by Elation Professional in connection with this product, including warranties of merchantability or fitness, are limited in duration to the warranty periods set forth above. And no warranties, whether expressed or implied, including warranties of merchantability or fitness, shall apply to this product after said periods have expired. The consumer's and/or dealer's sole remedy shall be such repair or replacement as is expressly provided above; and under no circumstances shall Elation Professional be liable for any loss and/or damage, direct and/or consequential, arising out of the use of, and/or the inability to use, this product. G. This warranty is the only written warranty applicable to Elation Professional products and supersedes all prior warranties and written descriptions of warranty terms and conditions heretofore published.

WARRANTY RETURNS

All returned service items whether under warranty or not, must be freight pre-paid and accompany a return authorization (R.A.) number. The R.A. number must be clearly written on the outside of the return package. A brief description of the problem as well as the R.A. number must also be written down on a piece of paper and included in the shipping container. If the unit is under warranty, you must provide a copy of your proof of purchase invoice. Items returned without a R.A. number clearly marked on the outside of the package will be refused and returned at customer's expense. You may obtain a R.A. number by contacting customer support.

SAFETY GUIDELINES

This fixture is a sophisticated piece of electronic equipment. To guarantee a smooth operation, it is important to follow all instructions and guidelines in this manual. Elation Professional is not responsible for injury and/or damages resulting from the misuse of this fixture due to the disregard of the information printed in this manual. Only qualified and/or certified personnel should perform installation of this fixture and only the original rigging parts (omega brackets) included with this fixture should be used for installation. Any modifications to the fixture and/or the included mounting hardware will void the original manufactures warranty and increase the risk of damage and/or personal injury.



PROTECTION CLASS 1 - FIXTURE MUST BE PROPERLY GROUNDED



**THERE ARE NO USER SERVICEABLE PARTS INSIDE THIS UNIT.
DO NOT ATTEMPT ANY REPAIRS YOURSELF; DOING SO WILL VOID YOUR MANUFACTURES WARRANTY. DAMAGES RESULTING FROM MODIFICATIONS TO THIS FIXTURE AND/OR THE DISREGARD OF SAFETY INSTRUCTIONS AND GUIDELINES IN THIS MANUAL VOID THE MANUFACTURES WARRANTY AND ARE NOT SUBJECT TO ANY WARRANTY CLAIMS AND/OR REPAIRS.**



**DO NOT PLUG FIXTURE INTO A DIMMER PACK!
NEVER OPEN THIS FIXTURE WHILE IN USE!
UNPLUG POWER BEFORE SERVICING FIXTURE!
NEVER TOUCH FIXTURE DURING OPERATION, AS IT MAY BE HOT!
KEEP FLAMMABLE MATERIALS AWAY FROM FIXTURE!**



**NEVER LOOK DIRECTLY INTO THE LIGHT SOURCE!
RETINA INJURY RISK - MAY INDUCE BLINDNESS!
SENSITIVE PERSONS MAY SUFFER AN EPILEPTIC SHOCK!**



**INDOOR / DRY LOCATIONS USE ONLY!
DO NOT EXPOSE FIXTURE TO RAIN AND MOISTURE!**

SAFETY GUIDELINES

DO NOT TOUCH the fixture housing during operation. Turn OFF the power and allow approximately 15 minutes for the fixture to cool down before serving.

DO NOT shake fixture, avoid brute force when installing and/or operating fixture.

DO NOT operate fixture if the power cord is frayed, crimped, damaged and/or if any of the power cord connectors are damaged and do not insert into the fixture securely with ease.

NEVER force a power cord connector into the fixture. If the power cord or any of its connectors are damaged, replace it immediately with a new one of similar power rating.

DO NOT block any air ventilation slots.

All fan and air inlets must remain clean and never blocked.

Allow approx. 6" (15cm) between fixture and other devices or a wall for proper cooling.

When installing fixture in a suspended environment, always use mounting hardware that is no less than M10 x 25 mm, and always install fixture with an appropriately rated safety cable.

Always disconnect fixture from main power source before performing any type of service and/or cleaning procedure. Only handle the power cord by the plug end, never pull out the plug by tugging the wire portion of the cord.

During the initial operation of this fixture, a light smoke or smell may emit from the interior of the fixture. This is a normal process and is caused by excess paint in the interior of the casing burning off from the heat associated with the lamp and will decrease gradually over time.

Consistent operational breaks will ensure fixture will function properly for many years.

MAINTENANCE GUIDELINES



DISCONNECT POWER BEFORE PERFORMING ANY MAINTENANCE!

CLEANING

Frequent cleaning is recommended to insure proper function, optimized light output, and an extended life. The frequency of cleaning depends on the environment in which the fixture operates: damp, smoky or particularly dirty environments can cause greater accumulation of dirt on the fixture's optics. Clean the external lens surface at least every 20 days with a soft cloth to avoid dirt/debris accumulation.

NEVER use alcohol, solvents, or ammonia-based cleaners.

MAINTENANCE

Regular inspections are recommended to insure proper function and extended life.

There are no user serviceable parts inside this fixture, please refer all other service issues to an authorized Elation service technician. Should you need any spare parts, please order genuine parts from your local Elation dealer.

Please refer to the following points during routine inspections:

A detailed electric check by an approved electrical engineer every three months, to make sure the circuit contacts are in good condition and prevent overheating.

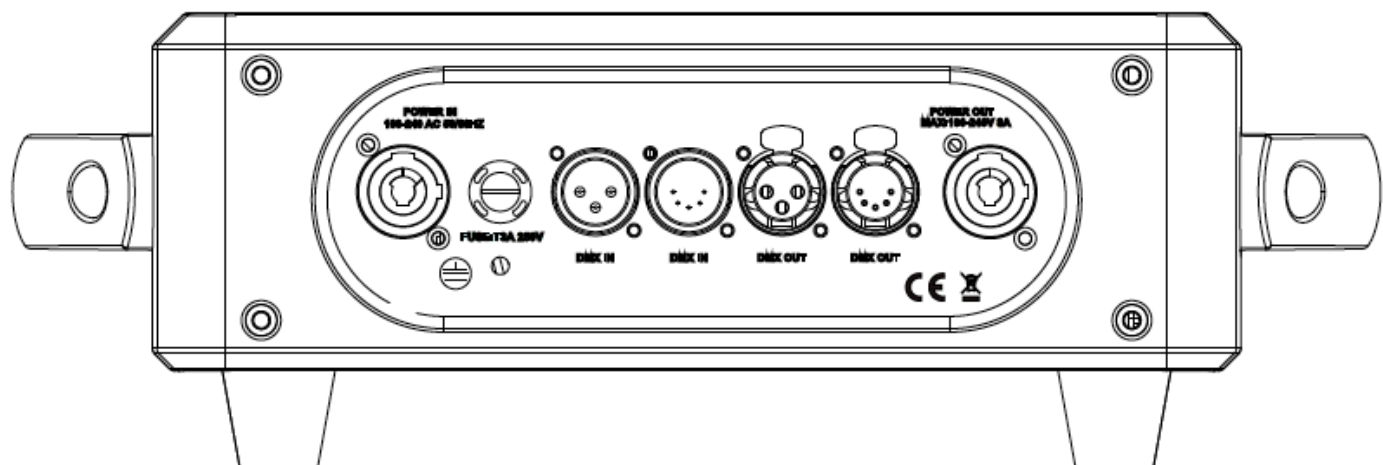
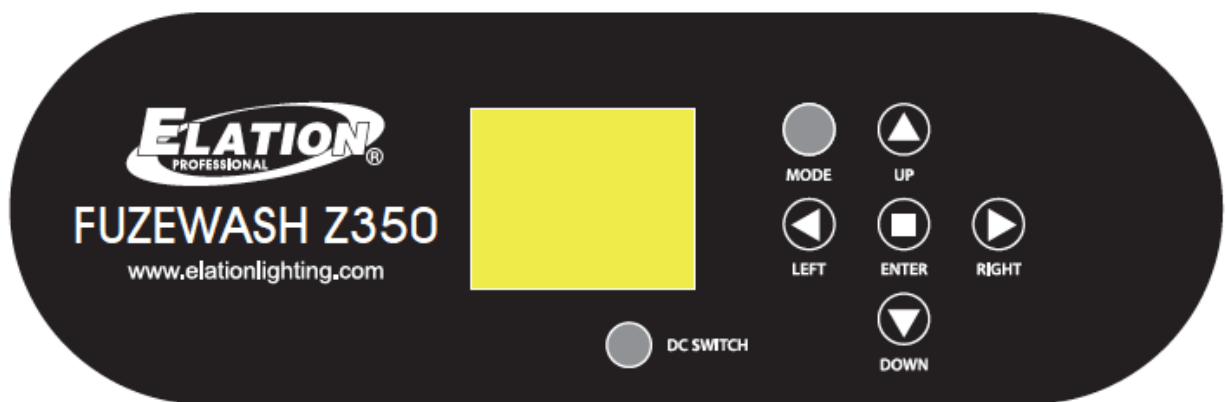
Be sure all screws and fasteners are securely tightened at all times. Loose screws may fall out during normal operation resulting in damage or injury as larger parts could fall.

Check for any deformations on the housing, color lenses, rigging hardware and rigging points (ceiling, suspension, trussing). Deformations in the housing could allow for dust to enter into the fixture. Damaged rigging points or unsecured rigging could cause the fixture to fall and seriously injure a person(s).

Electric power supply cables must not show any damage, material fatigue or sediments.

NEVER remove the ground prong from the power cable.

FIXTURE OVERVIEW



INSTALLATION GUIDELINES



FLAMMABLE MATERIAL WARNING

Keep fixture minimum 5.0 feet (1.5m) away from flammable materials and/or pyrotechnics.



ELECTRICAL CONNECTIONS

A qualified electrician should be used for all electrical connections and/or installations.



USE CAUTION WHEN POWER LINKING OTHER MODEL FIXTURES AS THE POWER CONSUMPTION OF OTHER MODEL FIXTURES MAY EXCEED THE MAX POWER OUTPUT ON THIS FIXTURE. CHECK SILK SCREEN FOR AMX AMPS.



**MINIMUM DISTANCE TO OBJECTS/SURFACES
MUST BE 3.3 FEET (1.0 METER)**



**MINIMUM DISTANCE OF INFLAMMABLE MATERIALS
FROM THE SURFACE 1.6 FEET (0.5 METER)**



DO NOT INSTALL THE FIXTURE IF YOU ARE NOT QUALIFIED TO DO SO!

Fixture **MUST** be installed following all local, national, and country commercial electrical and construction codes and regulations.

Before rigging/mounting a single fixture or multiple fixtures to any metal truss/structure or placing the fixture(s) on any surface, a professional equipment installer **MUST** be consulted to determine if the metal truss/structure or surface is properly certified to safely hold the combined weight of the fixture(s), clamps, cables, and accessories.

Overhead rigging requires extensive experience, including amongst others calculating working load limits, installation material being used, and periodic safety inspection of all installation material and the fixture. If you lack these qualifications, do not attempt the installation yourself. Improper installation can result in bodily injury.

Fixture ambient operating temperature range is **14° to 113°F. (-10° to 45°C)**

Do not use the fixture under or above this temperature.

Fixture(s) should be installed in areas outside walking paths, seating areas, or away from areas where unauthorized personnel might reach the fixture by hand.

NEVER stand directly below the fixture(s) when rigging, removing or servicing.

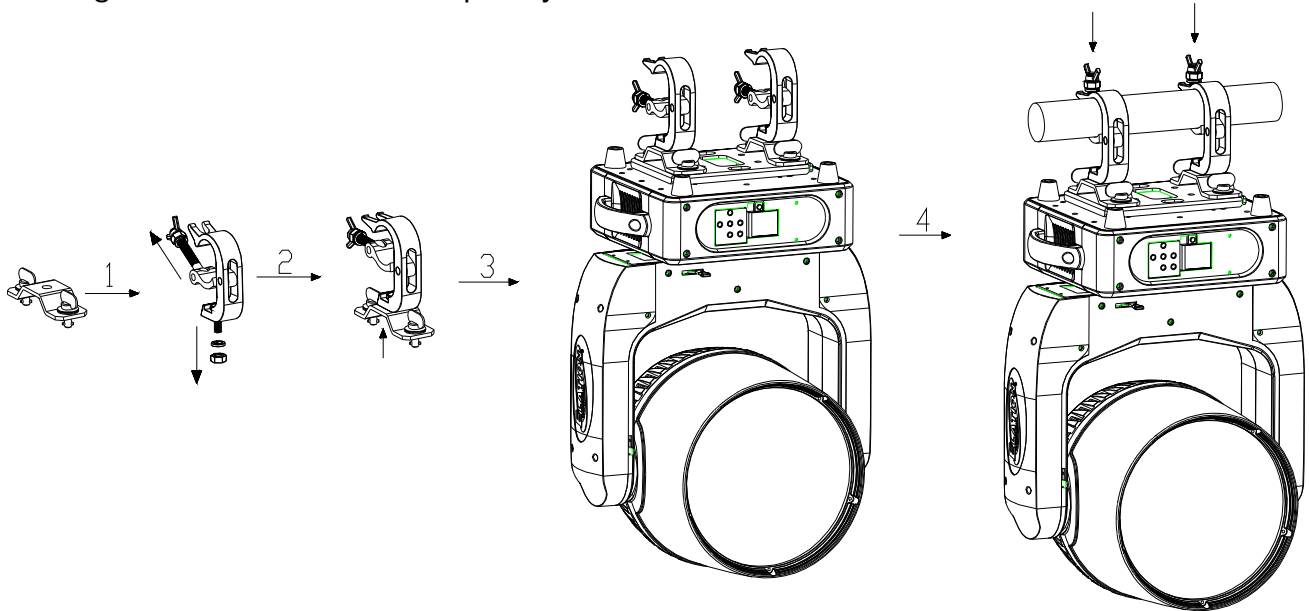
Overhead fixture installation must always be secured with a secondary safety attachment, such as an appropriately rated safety cable.

Allow approximately 15 minutes for the fixture to cool down before serving.

INSTALLATION GUIDELINES

OMEGA BRACKET INSTALLATION

Insert the **Omega Brackets** into the matching holes on the bottom of the fixture. Secure the **Omega Brackets** to the fixture by turning each quick-lock fastener $\frac{1}{4}$ turn clockwise; making sure the fastener is completely locked. Install brackets as illustrated below.

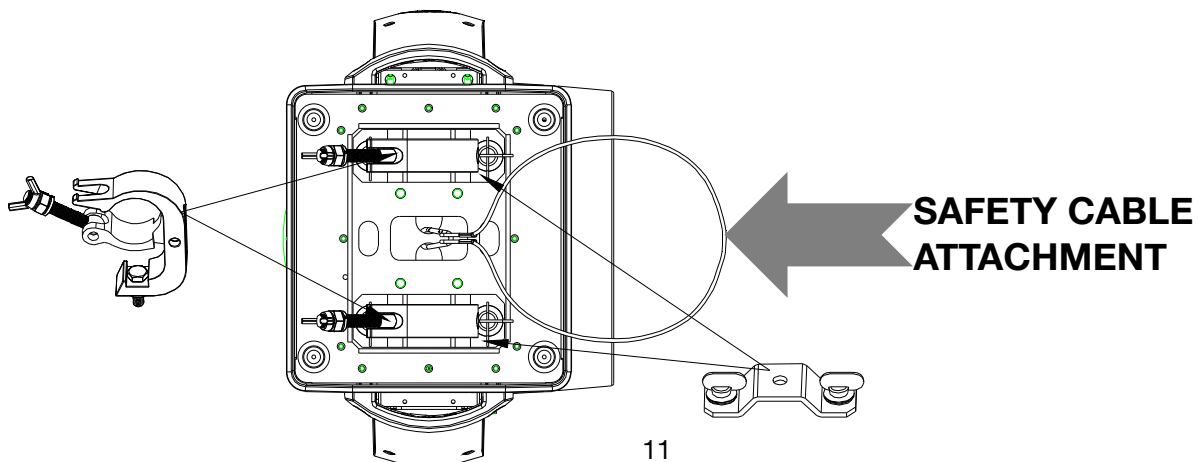


CLAMP INSTALLATION

When mounting fixture to truss, be sure to secure an appropriately rated professional grade rigging clamp to the included **Omega Brackets** or **Single Clamp Bracket Kit** using an M10 screw fitted through the center hole of the **Omega Brackets** or through the center hole of the **Single Clamp Bracket Kit**. The fixture provides a built-in rigging point for a **SAFETY CABLE**. Be sure to only use the designated rigging point for the safety cable and never secure a safety cable to a carrying handle.



ALWAYS ATTACH AN APPROPRIATELY RATED SAFETY CABLE (NOT INCLUDED) THAT MEETS ALL LOCAL, NATIONAL, AND COUNTRY CODES AND REGULATIONS WHENEVER INSTALLING FIXTURE IN A SUSPENDED ENVIRONMENT!



INSTALLATION GUIDELINES

POWER LINKING

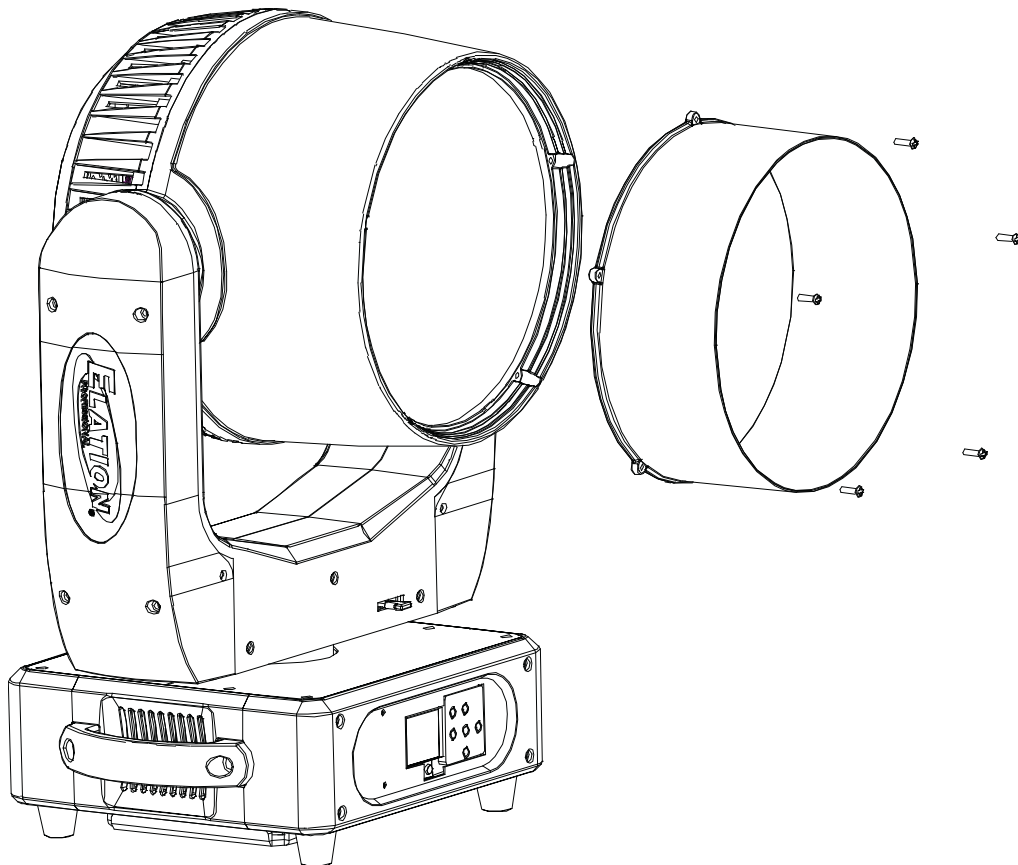


USE CAUTION WHEN POWER LINKING OTHER MODEL FIXTURES AS THE POWER CONSUMPTION OF OTHER MODEL FIXTURES MAY EXCEED THE MAX POWER OUTPUT ON THIS FIXTURE. CHECK SILK SCREEN FOR MAX AMPS.

OPTIONAL SNOOT INSTALLATION

1. Place fixture on a flat surface and make sure it's powered OFF.
2. Insert Snoot into fixture head and secure using screws provided. (See image below)

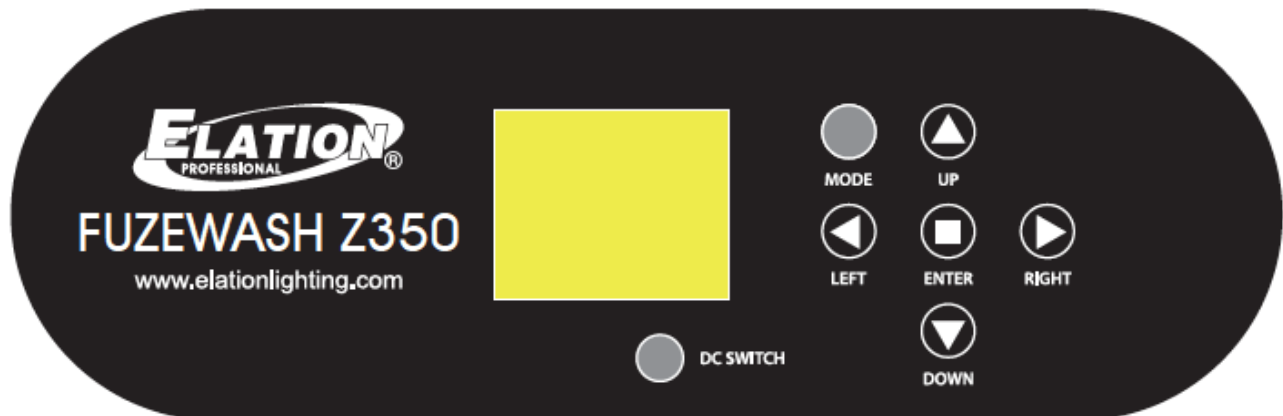
Make sure not to over tighten screws to prevent any issues.



SYSTEM MENU

The fixture comes with an easy to navigate system menu. The control panel (see image below) located on the front the fixture provides access to the main system menu and is where all necessary system adjustments are made to the fixture. During normal operation, pressing **MODE** button once will access the fixture's main menu. Once in the main menu you can navigate through the different functions and access the sub-menus with the **UP**, **DOWN**, **RIGHT**, and **LEFT** buttons. Once you reach a field that requires adjusting, press the **ENTER** button to activate that field and use the **UP** and **DOWN** buttons to adjust the field. Pressing the **ENTER** button once more will confirm your setting. You may exit the main menu at any time without making any adjustments by pressing the **MODE/ESC** button.

NOTE: To access the LCD Menu Control Display via the internal battery, press and hold the **DC SWITCH** button for 3 seconds. The LCD Menu Control Display will shut **OFF** automatically about 1 minute from the last button press.



INFORMATION DISPLAYED DURING INITIAL POWER ON

When the fixture is initially powered ON, the display shows the following information:



ELATION FUZE WASH Z350™ - SYSTEM MENU

Supports Software Versions: ≥1.15 | 2.1.10

Features subject to change without notice.

| MAIN MENU | SUB MENU | OPTIONS / VALUES (Default Settings in BOLD) | | DESCRIPTION | |
|------------------|----------------------------|--|---------------------------|---------------------------------------|--------------------------------------|
| Receive | Set Address ^{DMX} | 001 ~ XXX | | DMX Address Setting | |
| User Mode | User Mode | 15CH RGBW, 16CH HSI, 17CH sRGBI, 19CH RGBW, User A, User B, User C | | Set DMX Channel / User Mode | |
| | Edit A | Max. Chan | | Edit User Defined Channel Assignments | |
| | Edit B | : | | | |
| Edit C | Chase Fade | | | | |
| Function | Status | Remote Add | ON/OFF | Set Fixture Address Via DMX Control | |
| | | NoDMX Mode | Hold / Auto / Blackout | Function If NO DMX Detected | |
| | | Pan Invert | ON / OFF | Pan Reverse Movement | |
| | | TiltInvert | ON / OFF | Tilt Reverse Movement | |
| | | Pan Degree | 630/540 | Pan Degree Select | |
| | | Feedback | ON/OFF | Movement Feedback | |
| | | Move. Spd | Speed 1 ~ 4 | Movement Mode Select | |
| | | Stand By | OFF, 01M~99M, 15M | Stand By Mode | |
| | Fan. Set | Head Fan | Auto, High, Low | Fan Speed Set | |
| | LCD. Set | Backlight | 02~60m | 05m | LCD Backlight Shut Off Time |
| | | FlipDisplay | ON / OFF | | Flip/Reverse LCD Display 180° |
| | | Key Lock | ON / OFF | | Control Front Panel Buttons Key Lock |
| | | Disp Flash | ON / OFF | | Display flashes when NO DMX |
| | Dim Curve | Standard, Stage, TV, Architectur, Theatre | | Set Dimmer Curve Mode | |
| | Temp. C/F | Celsius / Fahrenheit | | Temperature Switch Between C° / F° | |
| | Init. Effect | PAN =XXX | | Initial Effect Position | |
| | Disp. Set | Chan. Value | PAN... | | Value of each Channel Displayed |
| | | Slave Set | Slave 1, Slave 2, Slave 3 | | Set Slave Mode Preset |
| | | Auto.Pro | Alone, Master | | Set Auto Program Mode |
| | Dim Curve | Linear, Square, I-Square, S-Curve | | Set Dimmer Curve | |
| DFSE | ON / OFF | | Restore Factory Settings | | |
| Information | Time. Info | Current | XXXX (Hours) | Fixture Run Time From Power ON | |
| | | Total Time | XXXX (Hours) | Fixture Total Run Time | |
| | | Last Clear | XXXX (Hours) | Clear Fixture Last Run Time | |
| | | Timer PIN | PIN= 050 | Enter PIN to Access Clear Last. Menu | |
| | | Clear Last | ON / OFF | Reset Fixture Last Run Time | |
| | Temp. Info | Head Temp. | XXX C° / F ° | Temperature in Fixture Head | |
| | Error Info | Error Record 1 ~ Error Record 10 | | Display 10 Recent Error Messages | |
| | ClearError | PassWord=050 | | Clear Stored Error History | |
| | Model. Info | Fuze Wash Z350 | | Display Model Name | |
| Software Version | 1U01: - 3U01: | ≥Vx.xx | Software Versions | | |

ELATION FUZE WASH Z350™ - SYSTEM MENU

Supports Software Versions: ≥1.15 | 2.16

Features subject to change without notice.

| MAIN MENU | SUB MENU | OPTIONS / VALUES (Default Settings in BOLD) | | DESCRIPTION |
|-----------|----------|---|--|-------------------------------------|
| | Gamma | 2.2, 1.0, 2.0, 2.4, 2.6, 2.8 | | Set GAMMA Brightness (added V2.1.8) |

ELATION FUZE WASH Z350™ - SYSTEM MENU

Supports Software Versions: ≥1.15 | 2.1.10

Features subject to change without notice.

| MAIN MENU | SUB MENU | OPTIONS / VALUES (Default Settings in BOLD) | | DESCRIPTION | |
|-----------|-------------|---|---------------------------------|---------------------------|--|
| Test | Reset. M | Pan&Tilt | | Reset of Pan/Tilt Motors | |
| | Test. Chan | | | Test Functions | |
| | Panel. Ctrl | | | Fine Adjustments | |
| | Calibrate | Password | Password= 050 | | Calibration of Motors and LEDs (added V2.1.8) (added V2.1.8) (added V2.1.8) (added V2.1.8) |
| | | RedLow | | | |
| | | GreenLow | | | |
| | | BlueLow | | | |
| | White Low | | | | |
| Program | Select. Pro | Auto Pro Part1 = Program 1~9 (Program 1) | | Select Programs To Be Run | |
| | | Auto Pro Part2 = Program 1~9 (Program 2) | | | |
| | | Auto Pro Part3 = Program 1~9 (Program 3) | | | |
| | Edit. Pro | Program 1 | Program Test | | Testing Program |
| | | : | Step 01=SCxxx | | Program In Loop |
| | | Program 9 | Step 64=SCxxx | | Save and Exit |
| | Edit. Sce | Scene 001 | Pan,Tilt,..... | | Save and Automatically Return |
| | | ~ Scene 250 | --Fade Time-- --Scene Time-- | | Manual Scenes Edit |
| | | | Input By Outside | | Stores Scenes via Ext DMX Console |
| | Sce. Input | XX~XX | | | Automatic Scenes Recorder |

Function - Status - Remote Add

When ON, define the desired DMX address of fixture via an external controller.

1. Connect the fixture to the external controller and power ON.
2. Set the DMX value of **Channel 1** on the controller to **(7)**.
3. Set the DMX value of **Channel 2** on the controller to **(7)** or **(8)**.

When set to **(7)**, the DMX address can be set between **(1)** and **(255)**.

When set to **(8)**, the DMX address can be set between **(256)** and **(511)**.

4. Using **Channel 3** on the controller set the desired DMX address of the fixture.

Example 1:

If the desired DMX address is **57**, set **Channel 1** to a value of **(7)**, set **Channel 2** to a value of **(7)**, and then set **Channel 3** to a value of **(57)**.

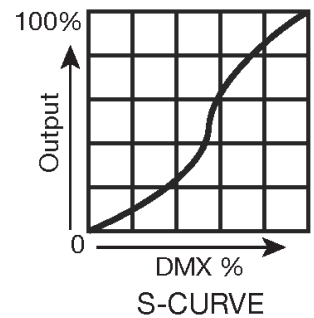
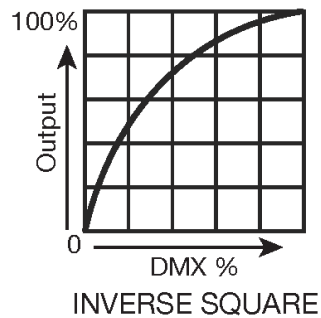
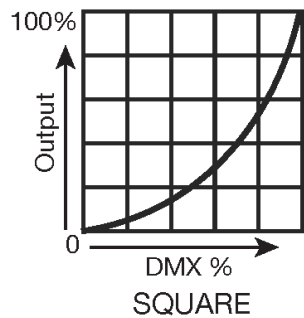
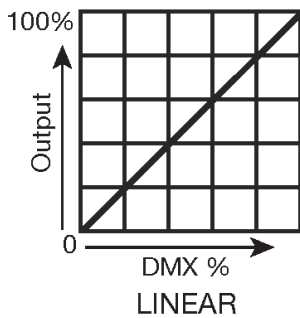
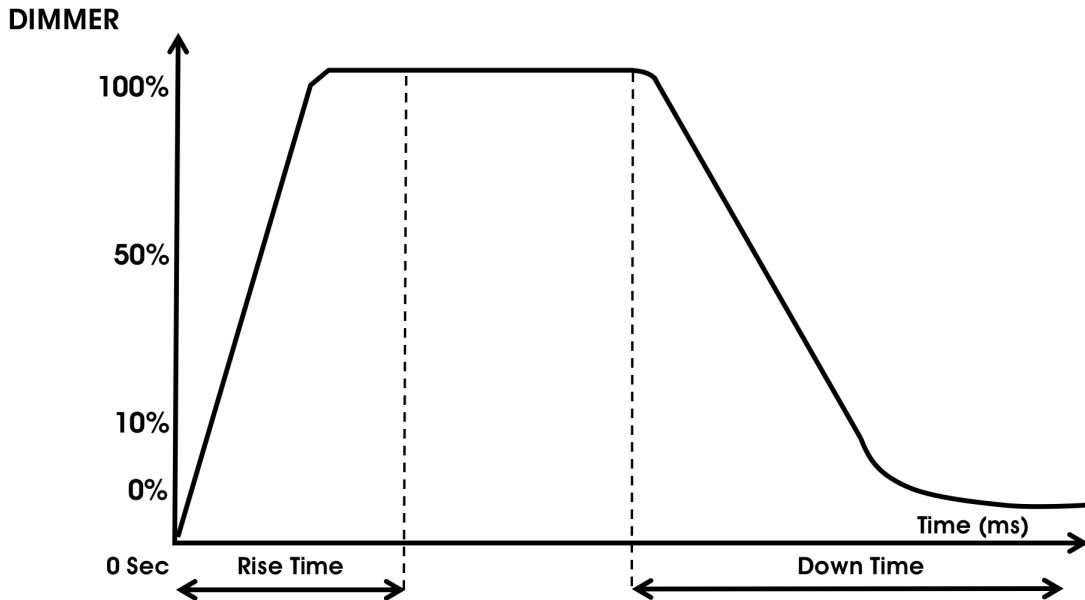
Example 2:

If the desired DMX address is **420**, set **Channel 1** to a value of **(7)**, set **Channel 2** to a value of **(8)**, and then set **Channel 3** to a value of **(164)**. (256+164=420)

5. After setting **Channel 3** to the desired DMX address value, wait for approximately 20 seconds for the fixture to complete the address reset function.

Function - Dim Mode

Select desired DIMMER MODE (**Standard**, Stage, TV, Architectural, Theatre).



Test - Calibrate



ONLY QUALIFIED TECHNICIANS SHOULD PERFORM THIS FUNCTION

This function allows small adjustments to be made to the effect wheels to compensate for wear or in the event a sensor has been knocked slightly out of place. Because improper use of this function can result in undesired operation this function has been password protected. The password is **050** and must be entered each time the calibration menu function is entered. Because calibration is an extremely delicate procedure, instructions on performing this action are left out of this manual. For a first time calibrator, please contact our customer support team for step-by-step instructions.

DMX CHANNEL FUNCTIONS AND VALUES

| ELATION© FUZE WASH Z350™ | | | | | |
|--|--------|---------|---------|---------|-----------------------------------|
| DMX Channel Values / Functions Version (19 DMX Channels) | | | | | |
| Supports Software Versions: ≥ 2.1.10 | | | | | |
| Features are subject to change without any prior written notice. | | | | | |
| *Rotation direction (Clockwise or Counterclockwise) of effects depends on orientation of the fixture head and Pan/Tilt settings. | | | | | |
| MODE / CHANNEL | | | | VALUE | FUNCTION |
| 15 RGBW | 16 HSI | 17 RGBI | 19 RGBW | | |
| 1 | 1 | 1 | 1 | | PAN MOVEMENT [8 BIT] |
| | | | | 0-255 | PAN Movement 630/540 |
| 2 | 2 | 2 | 2 | | PAN FINE MOVEMENT [16 BIT] |
| | | | | 0-255 | Fine Control of PAN Movement |
| 3 | 3 | 3 | 3 | | TILT MOVEMENT [8 BIT] |
| | | | | 0-255 | TILT Movement |
| 4 | 4 | 4 | 4 | | TILT MOVEMENT [16 BIT] |
| | | | | 0-255 | Fine Control of TILT Movement |
| 5 | | | 5 | | RED |
| | | | | 0-255 | 0 to 100% |
| 6 | | | 6 | | GREEN |
| | | | | 0-255 | 0 to 100% |
| 7 | | | 7 | | BLUE |
| | | | | 0-255 | 0 to 100% |
| 8 | | | 8 | | WHITE |
| | | | | 0-255 | 0 to 100% |
| 9 | 5 | 5 | | | SHUTTER / STROBE |
| | | | | 0-31 | LED OFF |
| | | | | 32-63 | LED ON |
| | | | | 64-95 | Strobe Effect SLOW to FAST |
| | | | | 96-127 | LED ON |
| | | | | 128-159 | Pulse Effect in Sequences |
| | | | | 160-223 | Random Strobe Effect SLOW to FAST |
| 224-255 | LED ON | | | | |
| | | 6 | | | RED |
| | | | | 0-255 | 0 to 100% |
| | | 7 | | | GREEN |
| | | | | 0-255 | 0 to 100% |
| | | 8 | | | BLUE |
| | | | | 0-255 | 0 to 100% |
| | 6 | | | | HUE |
| | | | | 0-255 | 0-100% |
| | 7 | | | | SATURATION |
| | | | | 0-255 | 0-100% |
| | 8 | 9 | | | INTENSITY |
| | | | | 0-255 | 0-100% |

ELATION© FUZE WASH Z350™
DMX Channel Values / Functions Version (19 DMX Channels)

Supports Software Versions: ≥ 2.1.10

Features are subject to change without any prior written notice.

*Rotation direction (Clockwise or Counterclockwise) of effects depends on orientation of the fixture head and Pan/Tilt settings.

| MODE / CHANNEL | | | | VALUE | FUNCTION |
|----------------|--------|---------|---------|---------|----------------------|
| 15 RGBW | 16 HSI | 17 RGBI | 19 RGBW | | |
| | | | | | COLOR PRESETS |
| | | | | 0 | OFF |
| | | | | 1-4 | COLOR PRESET 01 |
| | | | | 5-8 | COLOR PRESET 02 |
| | | | | 9-12 | COLOR PRESET 03 |
| | | | | 13-16 | COLOR PRESET 04 |
| | | | | 17-20 | COLOR PRESET 05 |
| | | | | 21-24 | COLOR PRESET 06 |
| | | | | 25-28 | COLOR PRESET 07 |
| | | | | 29-32 | COLOR PRESET 08 |
| | | | | 33-36 | COLOR PRESET 09 |
| | | | | 37-40 | COLOR PRESET 10 |
| | | | | 41-44 | COLOR PRESET 11 |
| | | | | 45-48 | COLOR PRESET 12 |
| | | | | 49-52 | COLOR PRESET 13 |
| | | | | 53-56 | COLOR PRESET 14 |
| | | | | 57-60 | COLOR PRESET 15 |
| | 9 | 10 | 9 | 61-64 | COLOR PRESET 16 |
| | | | | 65-68 | COLOR PRESET 17 |
| | | | | 69-72 | COLOR PRESET 18 |
| | | | | 73-76 | COLOR PRESET 19 |
| | | | | 77-80 | COLOR PRESET 20 |
| | | | | 81-84 | COLOR PRESET 21 |
| | | | | 85-88 | COLOR PRESET 22 |
| | | | | 89-92 | COLOR PRESET 23 |
| | | | | 93-96 | COLOR PRESET 24 |
| | | | | 97-100 | COLOR PRESET 25 |
| | | | | 101-104 | COLOR PRESET 26 |
| | | | | 105-108 | COLOR PRESET 27 |
| | | | | 109-112 | COLOR PRESET 28 |
| | | | | 113-116 | COLOR PRESET 29 |
| | | | | 117-120 | COLOR PRESET 30 |
| | | | | 121-124 | COLOR PRESET 31 |
| | | | | 125-128 | COLOR PRESET 32 |

ELATION© FUZE WASH Z350™
DMX Channel Values / Functions Version (19 DMX Channels)

Supports Software Versions: ≥ 2.1.10

Features are subject to change without any prior written notice.

*Rotation direction (Clockwise or Counterclockwise) of effects depends on orientation of the fixture head and Pan/Tilt settings.

| MODE / CHANNEL | | | | VALUE | FUNCTION |
|----------------|--------|---------|---------|---------|----------------------------------|
| 15 RGBW | 16 HSI | 17 RGBI | 19 RGBW | | |
| | | | | | COLOR PRESETS [continued] |
| | | | | 129-132 | COLOR PRESET 33 |
| | | | | 133-136 | COLOR PRESET 34 |
| | | | | 137-140 | COLOR PRESET 35 |
| | | | | 141-144 | COLOR PRESET 36 |
| | | | | 145-148 | COLOR PRESET 37 |
| | | | | 149-152 | COLOR PRESET 38 |
| | | | | 153-156 | COLOR PRESET 39 |
| | | | | 157-160 | COLOR PRESET 40 |
| | | | | 161-164 | COLOR PRESET 41 |
| | | | | 165-168 | COLOR PRESET 42 |
| | | | | 169-172 | COLOR PRESET 43 |
| | | | | 173-176 | COLOR PRESET 44 |
| | | | | 177-180 | COLOR PRESET 45 |
| | | | | 181-184 | COLOR PRESET 46 |
| | | | | 185-188 | COLOR PRESET 47 |
| | 9 | 10 | 9 | 189-192 | COLOR PRESET 48 |
| | | | | 193-196 | COLOR PRESET 49 |
| | | | | 197-200 | COLOR PRESET 50 |
| | | | | 201-204 | COLOR PRESET 51 |
| | | | | 205-208 | COLOR PRESET 52 |
| | | | | 209-212 | COLOR PRESET 53 |
| | | | | 213-216 | COLOR PRESET 54 |
| | | | | 217-220 | COLOR PRESET 55 |
| | | | | 221-224 | COLOR PRESET 56 |
| | | | | 225-228 | COLOR PRESET 57 |
| | | | | 229-232 | COLOR PRESET 58 |
| | | | | 233-236 | COLOR PRESET 59 |
| | | | | 237-240 | COLOR PRESET 60 |
| | | | | 241-244 | COLOR PRESET 61 |
| | | | | 245-248 | COLOR PRESET 62 |
| | | | | 249-252 | COLOR PRESET 63 |
| | | | | 253-255 | COLOR PRESET 64 |

ELATION© FUZE WASH Z350™
DMX Channel Values / Functions Version (19 DMX Channels)

Supports Software Versions: ≥ 2.1.10

Features are subject to change without any prior written notice.

*Rotation direction (Clockwise or Counterclockwise) of effects depends on orientation of the fixture head and Pan/Tilt settings.

| MODE / CHANNEL | | | | VALUE | FUNCTION |
|----------------|--------|---------|---------|----------------------|--|
| 15 RGBW | 16 HSI | 17 RGBI | 19 RGBW | | |
| | | | 10 | | SHUTTER / STROBE |
| | | | | 0-31 | LED OFF |
| | | | | 32-63 | LED ON |
| | | | | 64-95 | Strobe Effect SLOW to FAST |
| | | | | 96-127 | LED ON |
| | | | | 128-159 | Pulse Effect in Sequences |
| | | | | 160-223 | Random Strobe Effect SLOW to FAST |
| | | | | 224-255 | LED ON |
| 10 | | | 11 | | DIMMER INTENSITY |
| | | | | 0-255 | Dimmer 0 to 100% |
| 11 | | | 12 | | DIMMER INTENSITY FINE |
| | | | | 0-255 | Dimmer FINE Adjustment |
| 12 | 10 | 11 | 13 | | ZOOM |
| | | | | 0-255 | Zoom 0% (6 Degrees) to 100% (46 Degrees) |
| | | | 14 | | PROGRAM MACROS |
| | | | | 0 | NO FUNCTION |
| | | | | 1-20 | COLOR MACRO 01 |
| | | | | 21-40 | COLOR MACRO 02 |
| | | | | 41-60 | COLOR MACRO 03 |
| | | | | 61-80 | COLOR MACRO 04 |
| | | | | 81-100 | COLOR MACRO 05 |
| | | | | 101-120 | COLOR MACRO 06 |
| | | | | 121-140 | COLOR MACRO 07 |
| | | | | 141-160 | COLOR MACRO 08 |
| | | | | 161-180 | COLOR MACRO 09 |
| | | | | 181-200 | COLOR MACRO 10 |
| | | | | 201-230 | COLOR MACRO 11 |
| | | | | 231-240 | COLOR MACRO 12 |
| | | | | 241-250 | COLOR MACRO 13 |
| | | | 251-255 | GRADIENT COLOR MACRO | |
| | | | 15 | | PROGRAM MACRO SPEED |
| | | | | 0-125 | Counter-Clockwise Movement FAST to SLOW |
| | | | | 126-130 | STOP |
| | | | | 131-255 | Clockwise Movement SLOW to FAST |
| | | | 16 | | PROGRAM MACRO FADE |
| | | | | 0-255 | 0-100% |
| | | | 17 | | DIMMING CURVE MODES |
| | | | | 0-20 | STANDARD |
| | | | | 21-40 | STAGE |
| | | | | 41-60 | TV |
| | | | | 61-80 | ARCHITECTURAL |
| | | | | 81-100 | THEATRE |
| 13 | 14 | 15 | 17 | 101-255 | Default to Unit Setting |

ELATION© FUZE WASH Z350™
DMX Channel Values / Functions Version (19 DMX Channels)

Supports Software Versions: ≥ 2.1.10

Features are subject to change without any prior written notice.

*Rotation direction (Clockwise or Counterclockwise) of effects depends on orientation of the fixture head and Pan/Tilt settings.

| MODE / CHANNEL | | | | VALUE | FUNCTION |
|----------------|---------------------------------|---------|---------|---------|--|
| 15 RGBW | 16 HSI | 17 RGBI | 19 RGBW | | |
| 14 | 15 | 16 | 18 | | PAN / TILT MOVEMENT SPEED |
| | | | | 0-225 | MAX to MIN SPEED |
| | | | | 226-235 | Blackout By Movement |
| | | | | 236-255 | NO FUNCTION |
| 15 | 16 | 17 | 19 | | LAMP ON/OFF, RESET, INTERNAL PROGRAMS |
| | | | | 0-79 | Normal |
| | | | | 80-84 | ALL Motor Reset |
| | | | | 85-99 | NO FUNCTION |
| | | | | 100-119 | Internal Program 1 (scene1~8) |
| | | | | 120-139 | Internal Program 2 (scene9~16) |
| | | | | 140-159 | Internal Program 3 (scene17~24) |
| | | | | 160-179 | Internal Program 4 (scene25~32) |
| | | | | 180-199 | Internal Program 5 (scene33~40) |
| | | | | 200-219 | Internal Program 6 (scene41~48) |
| 220-239 | Internal Program 7 (scene49~56) | | | | |
| | | | | 240-255 | NO FUNCTION |

ERROR CODES

When power is applied, the unit will automatically enter a “**Motor Reset**” mode, which brings all the internal motors to a home position. If there is an internal problem with one or more of the motors, an error code (see below) will flash on the control display.

| ERROR CODE | DESCRIPTION |
|----------------|--|
| TILT Er | The TILT movement is not located in the default position after the reset. This message will appear after a fixture reset if the magnetic-indexing circuit malfunctions (sensor failed or magnet is missing) or there is a motor failure (defective motor or defective motor IC drive on main PCB). This error may also be displayed if the head was blocked during a reset function |
| PAN Er | The PAN movement is not located in the default position after the reset. This message will appear after a fixture reset if the magnetic-indexing circuit malfunctions (sensor failed or magnet is missing) or there is a motor failure (defective motor or a defective motor IC drive on the main PCB). This error may also be displayed if the head/yoke was blocked during a reset function. |

MAINTENANCE GUIDELINES



DISCONNECT POWER BEFORE PERFORMING ANY MAINTENANCE!

CLEANING

Frequent cleaning is recommended to insure proper function, optimized light output, and an extended life. The frequency of cleaning depends on the environment in which the fixture operates: damp, smoky or particularly dirty environments can cause greater accumulation of dirt on the fixture's optics. Clean the external lens surface at least every 20 days with a soft cloth to avoid dirt/debris accumulation.

NEVER use alcohol, solvents, or ammonia-based cleaners.

MAINTENANCE

Regular inspections are recommended to insure proper function and extended life.

There are no user serviceable parts inside this fixture, please refer all other service issues to an authorized Elation service technician. Should you need any spare parts, please order genuine parts from your local Elation dealer.

Please refer to the following points during routine inspections:

A detailed electric check by an approved electrical engineer every three months, to make sure the circuit contacts are in good condition and prevent overheating.

Be sure all screws and fasteners are securely tightened at all times. Loose screws may fall out during normal operation resulting in damage or injury as larger parts could fall.

Check for any deformations on the housing, color lenses, rigging hardware and rigging points (ceiling, suspension, trussing). Deformations in the housing could allow for dust to enter into the fixture. Damaged rigging points or unsecured rigging could cause the fixture to fall and seriously injure a person(s).

Electric power supply cables must not show any damage, material fatigue or sediments.

NEVER remove the ground prong from the power cable.

S P E C I F I C A T I O N S

SOURCE

350W RGBW COB LEDs

100,000 Hour Average LED Life*

*May vary depending on several factors including but not limited to:
Environmental Conditions, Power/Voltage, Usage Patterns (On-Off Cycling), Control, and Dimming.

COLOR

RGBW

EFFECTS

RGBW Color Mixing

6° - 46° Beam Zoom Range

Electronic Strobe, Dimming and Variable Dimming Curves

64 Color Presets and 14 Unique Color Macros

CONTROL / CONNECTIONS

4 DMX Channel Modes (19 Total Channels)

7 Button Control Panel and LCD Menu Display

RDM (Remote Device Management)

3pin/5pin DMX and In/Out

SIZE / WEIGHT

Length: 16.3" (414mm)

Width: 11.6" (294mm)

Vertical Height: 22.7" (578mm)

Weight: 43 lbs. (19.5 kg)

ELECTRICAL / THERMAL

AC 100-240V - 50/60Hz

400W Max Power Consumption

5F to 113°F (-15°C to 45°C)

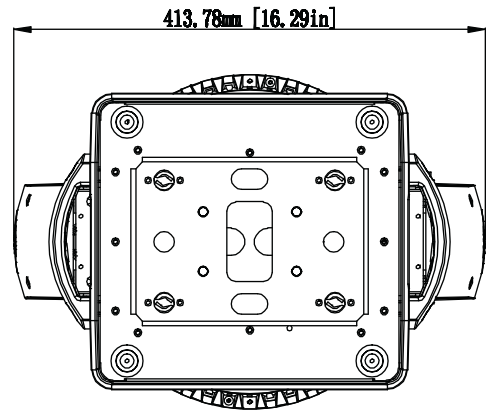
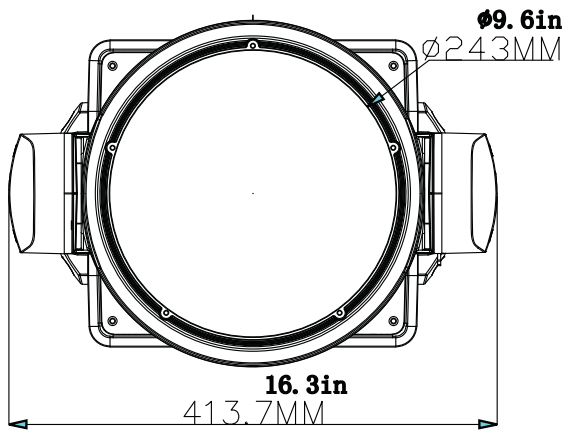
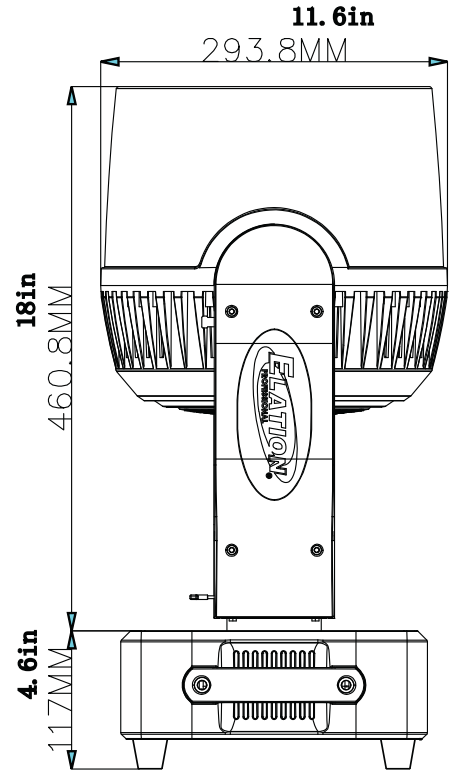
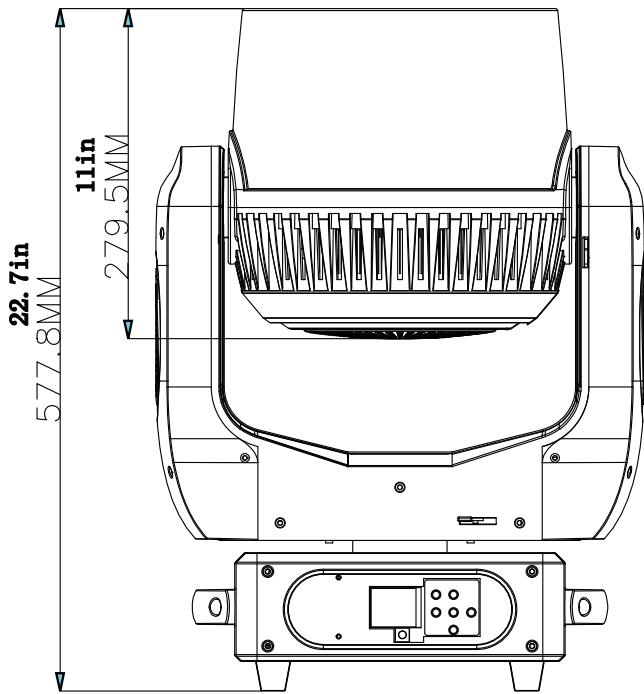
BTU/hr (+/- 10%) 1360.59

APPROVALS / RATINGS



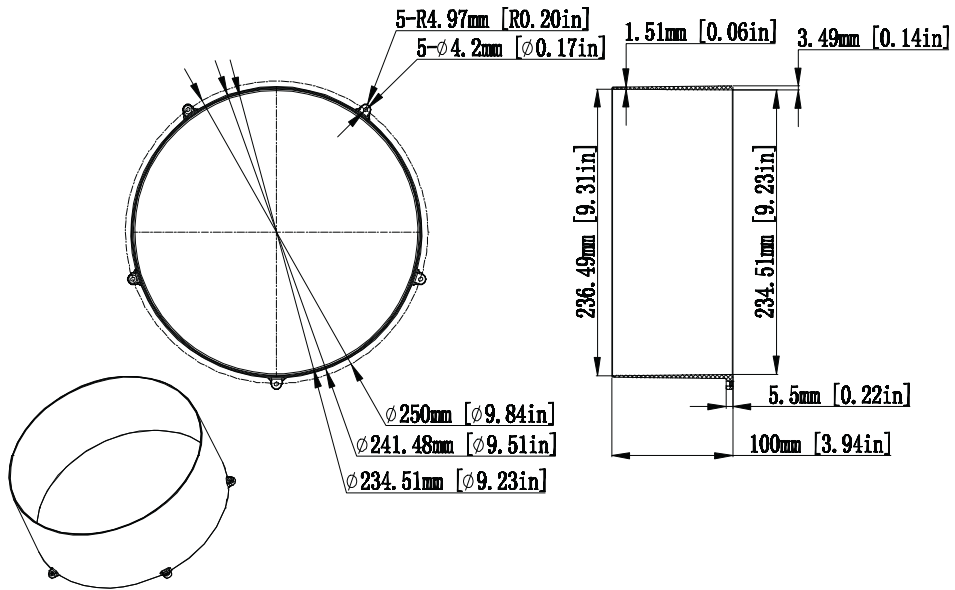
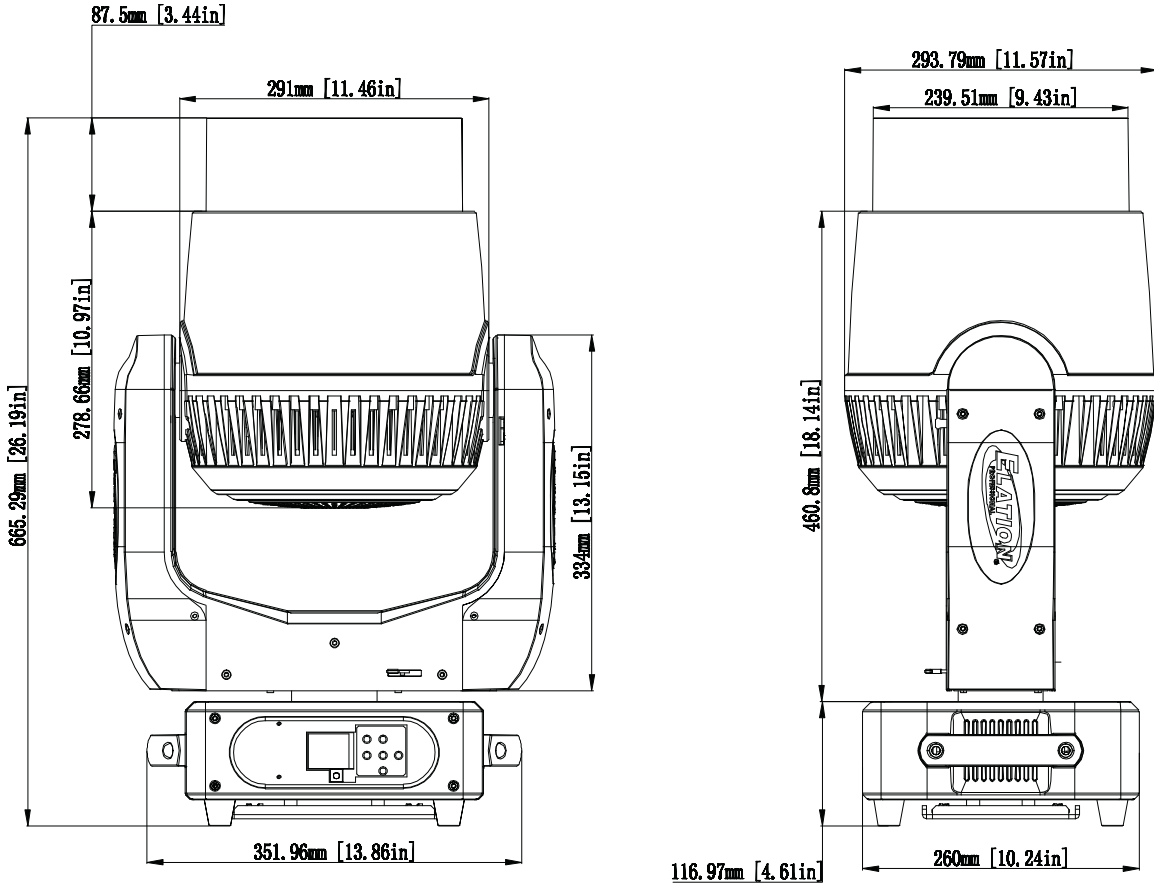
Please Note: Specifications and improvements in the design of this unit and this manual are subject to change without notice.

DIMENSIONAL DRAWINGS



Please Note: Specifications and improvements in the design of this unit and this manual are subject to change without notice.

DIMENSIONAL DRAWINGS - Optional Snoot Installed



Please Note: Specifications and improvements in the design of this unit and this manual are subject to change without notice.

OPTIONAL ACCESSORIES

| ORDER CODE | ITEM |
|---------------|---|
| FW350SNOOT | FUZE WASH Z350 Snoot |
| TRIGGER CLAMP | Heavy Duty Wrap Around Hook Style Clamp |
| DRC350FUZE | FUZE WASH Z350 Quad Road Case |
| AC3PDMX5PRO | 5 ft. (1.5m) 3pin PRO DMX Cable |
| AC5PDMX5PRO | 5 ft. (1.5m) 5pin PRO DMX Cable |
| PLC3 | 3 ft. (1m) Link Cable |
| | Additional Cable Lengths Available |

FCC STATEMENT

This device complies with Part 15 of the FCC Rules. Operation is subject to the following two conditions: (1) this device may not cause harmful interference, and (2) this device must accept any interference received, including interference that may cause undesired operation.

FCC RADIO FREQUENCY INTERFERENCE WARNINGS & INSTRUCTIONS

This product has been tested and found to comply with the limits as per Part 15 of the FCC Rules. These limits are designed to provide reasonable protection against harmful interference in a residential installation. This device uses and can radiate radio frequency energy and, if not installed and used in accordance with the included instructions, may cause harmful interference to radio communications. However, there is no guarantee that interference will not occur in a particular installation. If this device does cause harmful interference to radio or television reception, which can be determined by turning the device off and on, the user is encouraged to try to correct the interference by one or more of the following methods:

- Reorient or relocate the device.
- Increase the separation between the device and the receiver.
- Connect the device to an electrical outlet on a circuit different from which the radio receiver is connected.
- Consult the dealer or an experienced radio/TV technician for help.

Europe Energy Saving Notice

Energy Saving Matters (EuP 2009/125/EC)

Saving electric energy is a key to help protecting the environment. Please turn off all electrical products when they are not in use. To avoid power consumption in idle mode, disconnect all electrical equipment from power when not in use. Thank you!

