

# CUEPIX BLINDER WW2™

user manual

©2016 ELATION PROFESSIONAL all rights reserved. Information, specifications, diagrams, images, and instructions herein are subject to change without notice. ELATION PROFESSIONAL logo and identifying product names and numbers herein are trademarks of ELATION PROFESSIONAL. Copyright protection claimed includes all forms and matters of copyrightable materials and information now allowed by statutory or judicial law or hereinafter granted. Product names used in this document may be trademarks or registered trademarks of their respective companies and are hereby acknowledged. All non-ELATION brands and product names are trademarks or registered trademarks of their respective companies.

ELATION PROFESSIONAL and all affiliated companies hereby disclaim any and all liabilities for property, equipment, building, and electrical damages, injuries to any persons, and direct or indirect economic loss associated with the use or reliance of any information contained within this document, and/or as a result of the improper, unsafe, insufficient and negligent assembly, installation, rigging, and operation of this product.

**Elation Professional USA** | 6122 S. Eastern Ave. | Los Angeles, CA. 90040

323-582-3322 | 323-832-9142 fax | [www.elationlighting.com](http://www.elationlighting.com) | [info@elationlighting.com](mailto:info@elationlighting.com)

**Elation Professional B.V.** | Junostraat 2 | 6468 EW Kerkrade, The Netherlands

+31 45 546 85 66 | +31 45 546 85 96 fax | [www.elationlighting.eu](http://www.elationlighting.eu) | [info@elationlighting.eu](mailto:info@elationlighting.eu)

## DOCUMENT VERSION



Please check [www.elationlighting.com](http://www.elationlighting.com) for the latest revision/update of this manual.

Date	Document Version	Software Version	DMX Channel Modes	Notes
2013	1	≥1.04	1/2/3/4	Initial release.
1/2015	2	≥1.07	1/2/3/4	Updated Strobe effects in CH 3 and CH 4 modes.
2/1/15	3	≥1.10	1/2/3/4	Updated Dimming Curve DMX Values.
12/14/17	4	≥1.15	N/C	Added Stage 2 Dimming Curve Mode

## CONTENTS

General Information	4
Warranty	6
Safety Instructions	7
General Guidelines	8
Fixture Overview	9
Fixture Installation	10
Fixture Menu	13
DMX Channel Functions And Values	16
Cleaning and Maintenance	20
Technical Specifications	21
Optional Accessories	23

## **GENERAL INFORMATION**

### **INTRODUCTION**

Congratulations, you have just purchased one of the most innovative and reliable lighting fixtures on the market today! This fixture has been designed to perform reliably for years when the guidelines in this booklet are followed. Please read and understand the instructions in this manual carefully and thoroughly before attempting to operate this unit. These instructions contain important information regarding safety during use and maintenance.

### **UNPACKING**

Every fixture has been thoroughly tested and has been shipped in perfect operating condition. Carefully check the shipping carton for damage that may have occurred during shipping. If the carton appears to be damaged, carefully inspect your unit for damage and be sure all accessories necessary to operate the unit have arrived intact. In the event damage has been found or parts are missing, please contact our customer support team for further instructions. Please do not return this unit to your dealer without first contacting customer support at the number listed below. Please do not discard the shipping carton in the trash. Please recycle whenever possible.

### **BOX CONTENTS**

(1) Twist-Locking Power Cable

## **CUSTOMER SUPPORT**

Elation Professional® provides a customer support line, to provide set up help and to answer any question should you encounter problems during your set up or initial operation. You may also visit us on the web at [www.elationlighting.com](http://www.elationlighting.com) for any comments or suggestions. For service related issue please contact Elation Professional®.

### **ELATION SERVICE USA - Monday - Friday 8:00am to 5:00pm PST**

**Voice: 323-582-3322**

**Fax: 323-832-9142**

E-mail: [support@elationlighting.com](mailto:support@elationlighting.com)

### **ELATION SERVICE EUROPE - Monday - Friday 08:30 to 17:00 CET**

**Voice: +31 45 546 85 30**

**Fax: +31 45 546 85 96**

E-mail: [support@elationlighting.eu](mailto:support@elationlighting.eu)

## **WARRANTY REGISTRATION**

Please complete and mail in the enclosed warranty card or register online: <http://www.elationlighting.com/Login.aspx> to validate your purchase. All returned service items whether under warranty or not, must be freight pre-paid and accompany a return authorization (R.A.) number. The R.A. number must be clearly written on the outside of the return package. A brief description of the problem as well as the R.A. number must also be written down on a piece of paper and included in the shipping container. If the unit is under warranty, you must provide a copy of your proof of purchase invoice. Items returned without a R.A. number clearly marked on the outside of the package will be refused and returned at customer's expense. You may obtain a R.A. number by contacting customer support.

## **IMPORTANT NOTICE!**

**There are no user serviceable parts inside this unit. Do not attempt any repairs yourself; doing so will void your manufactures warranty. Damages resulting from modifications to this fixture and/or the disregard of safety and general user instructions found in this user manual void the manufactures warranty and are not subject to any warranty claims and/or repairs.**

## LIMITED WARRANTY

A. Elation Professional® hereby warrants, to the original purchaser, Elation Professional® products to be free of manufacturing defects in material and workmanship for a period of two years (730 days), and Elation Professional® product rechargeable batteries to be free of manufacturing defects in material and workmanship for a period of six months (180 days), from the original date of purchase. This warranty excludes discharge lamps and all product accessories. This warranty shall be valid only if the product is purchased within the United States of America, including possessions and territories. It is the owner's responsibility to establish the date and place of purchase by acceptable evidence, at the time service is sought.

B. For warranty service, send the product only to the Elation Professional® factory. All shipping charges must be pre-paid. If the requested repairs or service (including parts replacement) are within the terms of this warranty, Elation Professional® will pay return shipping charges only to a designated point within the United States. If any product is sent, it must be shipped in its original package and packaging material. No accessories should be shipped with the product. If any accessories are shipped with the product, Elation Professional® shall have no liability what so ever for loss and/or or damage to any such accessories, nor for the safe return thereof.

C. This warranty is void if the product serial number and/or labels are altered or removed; if the product is modified in any manner which Elation Professional® concludes, after inspection, affects the reliability of the product; if the product has been repaired or serviced by anyone other than the Elation Professional® factory unless prior written authorization was issued to purchaser by Elation Professional®; if the product is damaged because not properly maintained as set forth in the product instructions, guidelines and/or user manual.

D. This is not a service contract, and this warranty does not include any maintenance, cleaning or periodic check-up. During the periods as specified above, Elation Professional® will replace defective parts at its expense, and will absorb all expenses for warranty service and repair labor by reason of defects in material or workmanship. The sole responsibility of Elation Professional® under this warranty shall be limited to the repair of the product, or replacement thereof, including parts, at the sole discretion of Elation Professional®. All products covered by this warranty were manufactured after January 1, 1990, and bare identifying marks to that effect.

E. Elation Professional® reserves the right to make changes in design and/or performance improvements upon its products without any obligation to include these changes in any products theretofore manufactured.

F. No warranty, whether expressed or implied, is given or made with respect to any accessory supplied with the products described above. Except to the extent prohibited by applicable law, all implied warranties made by Elation Professional® in connection with this product, including warranties of merchantability or fitness, are limited in duration to the warranty periods set forth above. And no warranties, whether expressed or implied, including warranties of merchantability or fitness, shall apply to this product after said periods have expired. The consumer's and/or dealer's sole remedy shall be such repair or replacement as is expressly provided above; and under no circumstances shall Elation Professional® be liable for any loss and/or damage, direct and/or consequential, arising out of the use of, and/or the inability to use, this product.

G. This warranty is the only written warranty applicable to Elation Professional® products and supersedes all prior warranties and written descriptions of warranty terms and conditions heretofore published.

## SAFETY INSTRUCTIONS



This fixture is an extremely sophisticated piece of electronic equipment. To guarantee a smooth operation, it is important to follow the guidelines in this manual. The manufacturer of this device will not accept responsibility for damages resulting from the misuse of this fixture due to the disregard of the information printed in this manual.



This device falls under **PROTECTION CLASS 1**. It's essential this device be grounded properly. Only qualified personnel should perform all electrical connections.



**I N D O O R S   U S E   O N L Y !**  
**DO NOT EXPOSE FIXTURE RAIN AND MOISTURE!**



**UNPLUG POWER BEFORE SERVICING FIXTURE!**  
**DO NOT PLUG FIXTURE INTO A DIMMER PACK!**  
**NEVER TOUCH FIXTURE DURING OPERATION, AS IT MAY BE HOT!**



**NEVER LOOK DIRECTLY INTO THE LIGHT SOURCE!**  
**SENSITIVE PERSONS MAY SUFFER AN EPILEPTIC SHOCK!**

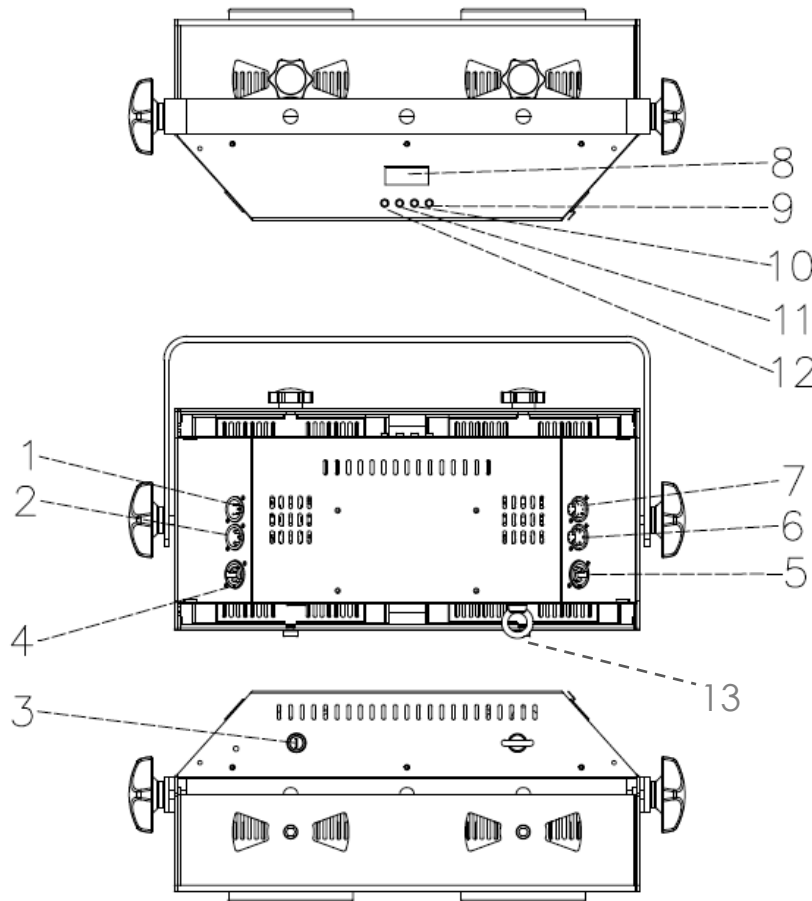
- For proper operation, follow the **Installation** guidelines described in this manual. Only qualified and certified personnel should perform installation of this fixture and only the original rigging parts (brackets) included with this fixture should be used for installation. Any modifications will void the original manufacturer's warranty and increase the risk of damage and/or personal injury.
- Never look directly into the light source of this fixture to prevent risk of injury to your retina, which may induce blindness. Those suffering from **EPILEPSY** should avoid looking directly into the light source of this unit at all times.
- The fan and air inlets must remain clean and never blocked. Allow approx. 6" (15cm) between this fixture and other devices or a wall for proper cooling.
- Always disconnect from main power source before performing any type of service and/or cleaning procedure. Only handle the power cord by the plug end, never pull out the plug by tugging the wire portion of the cord.
- Do not operate this fixture if the power cord has become frayed, crimped and/or damaged. If the power cord is damaged, replace it immediately with a new one of similar power rating.

## GENERAL GUIDELINES

- **NEVER OPEN THIS FIXTURE WHILE IN USE!**
- During the initial operation of this fixture, a light smoke or smell may emit from the interior of the fixture. This is a normal process and is caused by excess paint in the interior of the casing burning off from the heat associated with the lamp and will decrease gradually over time.
- This fixture is a professional lighting effect designed for **INDOOR / DRY LOCATIONS ONLY** on stage, in nightclubs, theatres, etc.
- Please make sure there are **NO FLAMMABLE MATERIALS** close to the fixture while operating, to prevent any fire hazard.
- The fixture must be installed in a location with adequate ventilation, at least 1.5 feet (.5m) from adjacent surfaces. Be sure no air ventilation slots are blocked.
- **DO NOT** attempt installation and/or operation without knowledge how to do so.
- **DO NOT** permit operation by persons who are not qualified to operate this type of fixture. Most damages are the result of operations by nonprofessionals.
- Consistent operational breaks may ensure the fixture will function properly for many years to come.
- **DO NOT** shake fixture, avoid brute force when installing and/or operating fixture.
- Always install the fixture with an appropriate safety cable. When installing the fixture in a suspended environment, always use mounting hardware that is no less than M10 x 25 mm, also be sure the hardware is insert in the pre-arranged screw holes in the bracket of the fixture.
- Use the original packaging and materials to transport the fixture in for service.
- **DO NOT TOUCH** the housing bare-hand during its operation. Turn OFF the power and allow approximately 15 minutes for the fixture to cool down before replacing or serving.



## FIXTURE OVERVIEW



1. 5pin DMX IN
2. 3pin DMX IN
3. Fuse
4. Power IN
5. Power OUT
6. 3pin DMX OUT
7. 5pin DMX OUT
8. LCD Menu Control Display
9. ENTER Button
10. DOWN Button
11. UP Button
12. MODE/ESC Button

## FIXTURE INSTALLATION



### FLAMMABLE MATERIAL WARNING

Keep fixture at least 5.0 ft (1.5m) away from any flammable materials, decorations, pyrotechnics, etc.



### ELECTRICAL CONNECTIONS

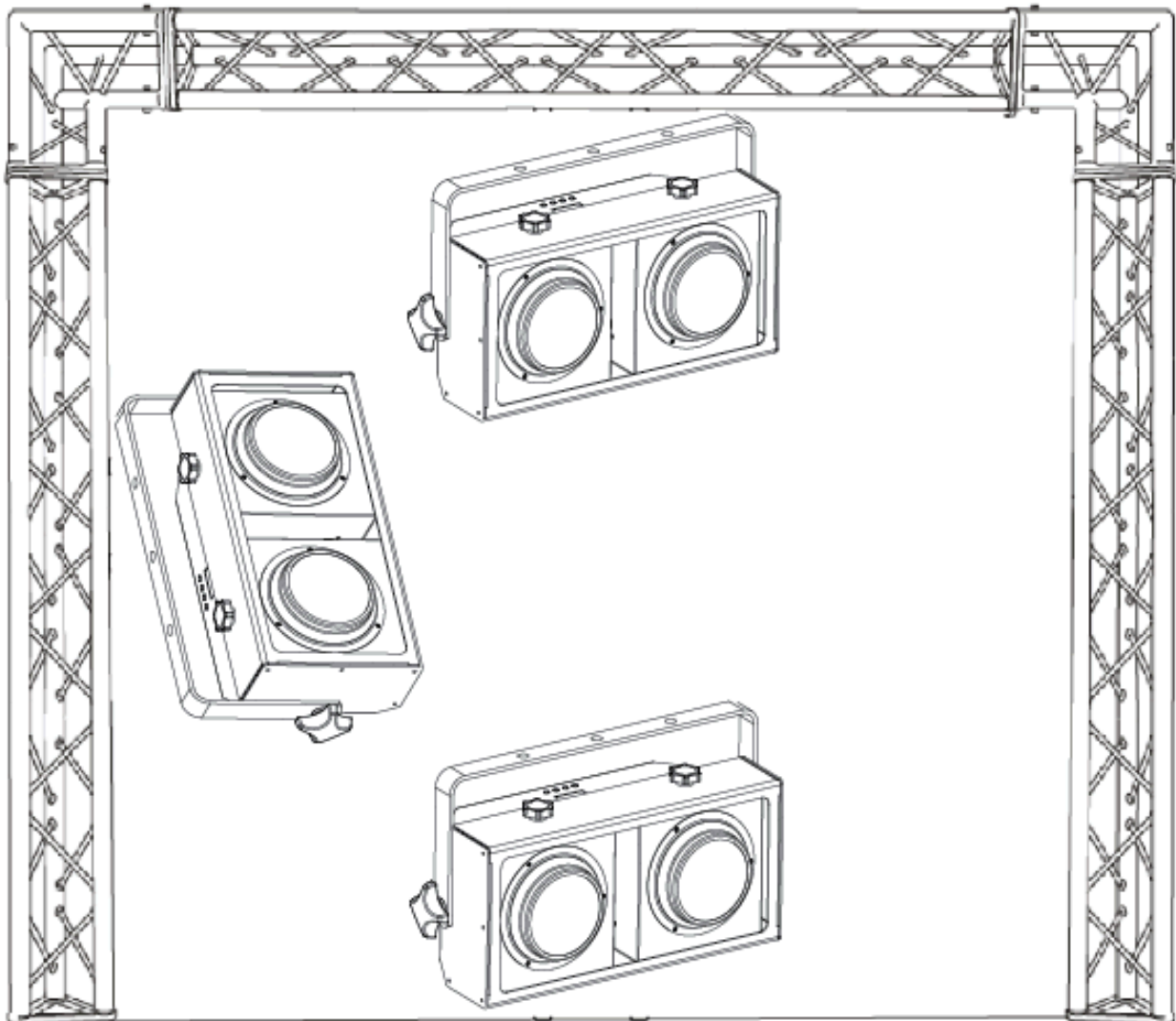
A qualified electrician should be used for all electrical connections and/or installations.

## CAUTIONS

- For added protection, mount the fixture in areas outside walking paths, seating areas, or in areas where unauthorized personnel might reach the fixture.
- Ambient operating temperature range for this fixture is **14°F to 113°F (-10°C to 45°C)**  
Do not use the fixture under or above this temperature.
- Before mounting the fixture to any surface, make sure the installation area can hold a minimum point load of 10 times the weight of the fixture.
- Fixture installation must always be secured with a secondary safety attachment, such as an appropriate safety cable.
- Never stand directly below the device when mounting, removing or servicing.

## MOUNTING POINTS

- Overhead mounting requires extensive experience, including amongst others calculating working load limits, installation material being used, and periodic safety inspection of all installation material and the device. If you lack these qualifications, do not attempt the installation yourself. Improper installation can result in bodily injury.
- Fixture is fully operational in the specific mounting positions as illustrated below.



## SAFETY CABLE

**ALWAYS USE A SAFETY CABLE WHEN INSTALLING THIS FIXTURE IN A SUSPENDED ENVIRONMENT TO ENSURE THE FIXTURE WILL NOT DROP IF THE CLAMP FAILS.**

### POWER LINKING

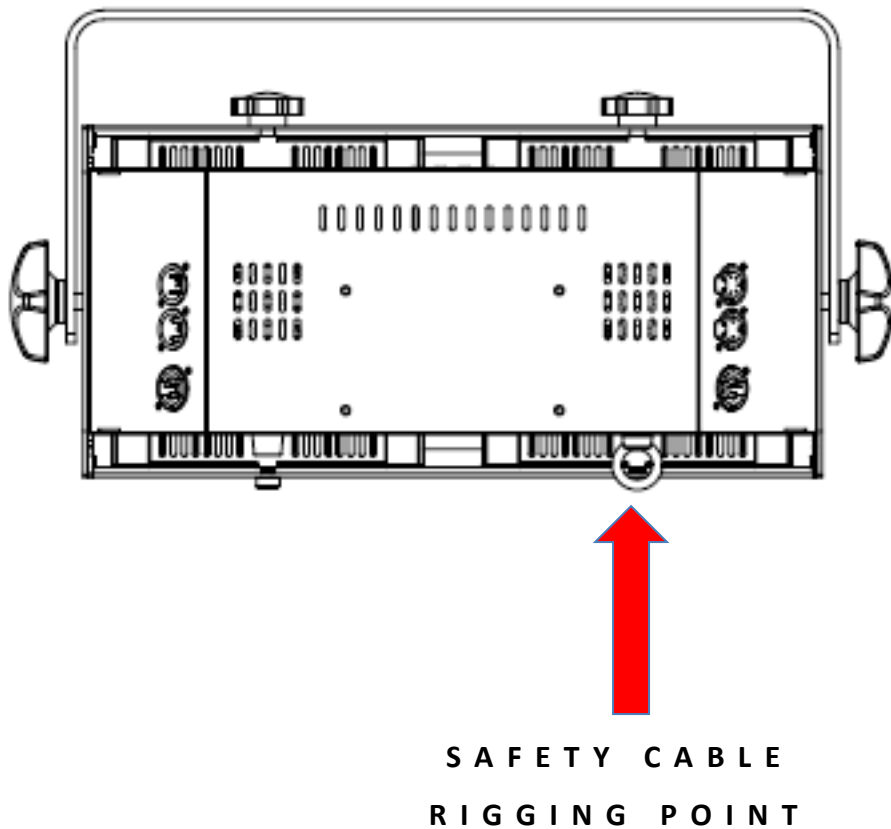
Max number of units that can be power linked is **5 units @110V** and **11 units @220V**.

### CLAMP MOUNTING

The fixture provides an integrated yoke/rigging bracket. When mounting this fixture to truss be sure to secure an appropriately rated clamps to the yoke/rigging bracket using a M10 screw fitted through the center hole.

### SECURING

Regardless of the rigging option you choose for your fixture always be sure to secure your fixture with a safety cable. The fixture provides a built-in rigging point for a safety cable on the base of the unit as illustrated below. Be sure to only use this designated rigging point to attach the safety cable.




## FIXTURE MENU

### ON-BOARD SYSTEM MENU

The fixture comes with an easy to navigate system menu. The next section will detail the functions of each command in the system menu.

### LCD MENU CONTROL PANEL

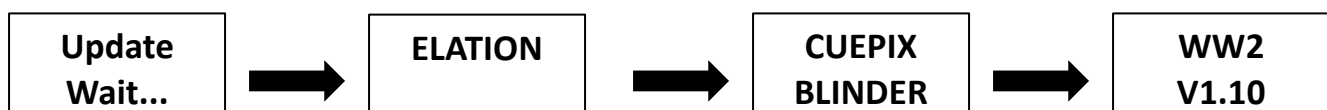
The control panel (see image below) located on the top of the fixture allows you to access the main menu and make all necessary adjustments to the fixture. During normal operation, pressing **MODE** button once will access the fixture's main menu. Once in the main menu you can navigate through the different functions and access the sub-menus with the **UP**, and **DOWN** buttons. Once you reach a field that requires adjusting, press the **ENTER** button to activate that field and use the **UP** and **DOWN** buttons to adjust the field. Pressing the **ENTER** button once more will confirm your setting. You may exit the main menu at any time without making any adjustments by pressing the **MODE** button.

 **NOTE:** the LCD Menu Control Display will shut OFF and lockout after 30 seconds of no use. Press and hold the **MODE** button for 10 seconds to unlock the LCD display.



### INFORMATION DISPLAYED DURING INITIAL POWER ON

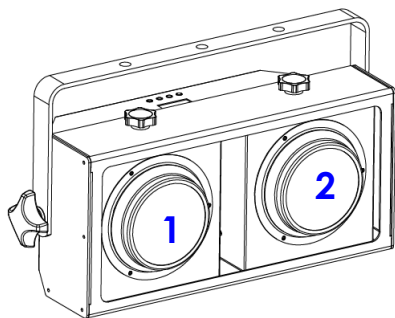
When the fixture is initially powered ON, the display shows the following information:



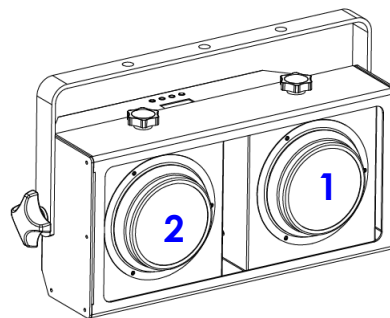
ELATION® CUEPIX BLINDER WW2™ SYSTEM MENU		
Specifications are subject to change without any prior written notice.		
MENU	OPTIONS / VALUES	DESCRIPTION
CHANNEL CH:	01, 02, 03, 04	Set desired DMX Channel Mode
DMX MODE ADDR:	001 - 512	DMX Address Setting
SLAVE M O D E		Set unit to Slave Mode
DIMMER C1:	00-99	Set manual Dimming value for COB Module 1 *Control of COB Module 1 depends on the Flip setting.
DIMMER C2:	0-99	Set manual Dimming value for COB Module 2 *Control of COB Module 2 depends on the Flip setting.
DIMMER F:	00-99	Set manual Flash / Strobe value for COB Module 1
Flip	OFF = 1,2 ON = 2,1	Set chase direction between COB Modules 1 and 2
DimCurve	Standard, Stage, TV, Architectural, Theatre, Default	Set desired Dimming Curve

### FLIP SETTING

Select the desired starting COB module and chase direction from one of the following modes below via **UP/DOWN** buttons and then press **ENTER** to confirm.



**Flip = OFF**

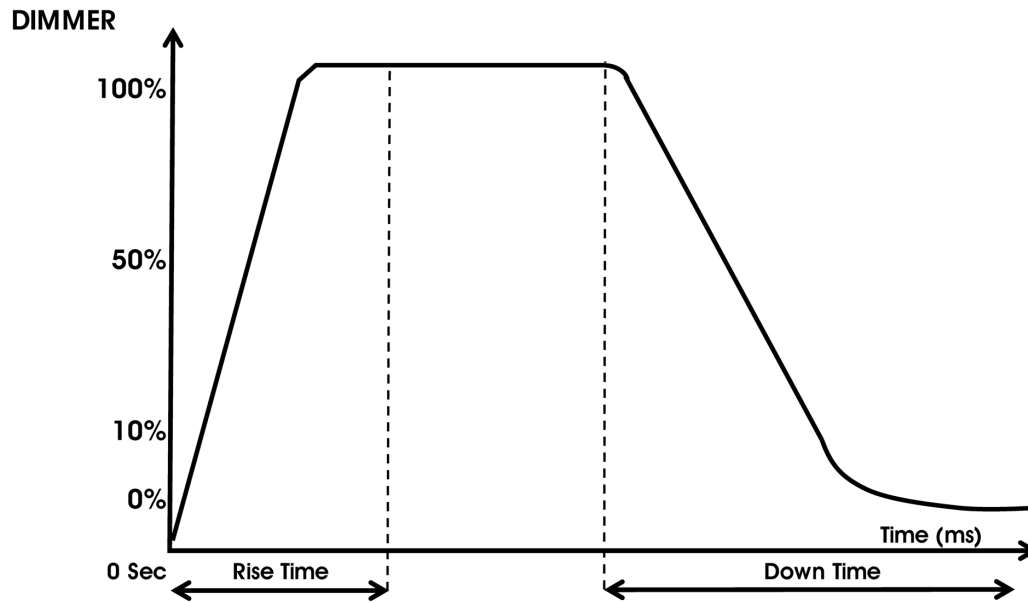


**Flip = ON**

## DIMMING CURVES

The DimCurve menu provides 6 different preset dimming curves: **Standard, Stage, TV, Architectural, Theatre, Stage 2** (avail only with software v1.15) or **Default**.

(See diagram below for more details)



Dimming Curve Ramp Effect	0 sec Fade Time		1 sec Fade Time	
	Rise Time (ms)	Down Time (ms)	Rise Time (ms)	Down Time (ms)
Standard (default)	0	0	0	0
Stage	780	1100	1540	1660
TV	1180	1520	1860	1940
Architectural	1380	1730	2040	2120
Theatre	1580	1940	2230	2280
Stage 2	0	1100	0	1660

## DMX CHANNEL FUNCTIONS AND VALUES

ELATION® CUEPIX BLINDER WW2™					
DMX Channel Values / Functions VERSION 1 (4 DMX Channels)					
Release Date: 2013   Supports Software Versions: ≥ 1.04					
Specifications are subject to change without any prior written notice.					
*Control of LEFT and RIGHT COB Modules chase direction depends on the Flip setting.					
MODE / CHANNEL				VALUE	FUNCTION
1 CH	2 CH	3 CH	4 CH		
1	1	1			MASTER DIMMER
				0-255	Intensity 0 to 100%
			1		*LEFT COB MODULE DIMMER
				0-255	Intensity 0 to 100%
			2		*RIGHT COB MODULE DIMMER
				0-255	Intensity 0 to 100%
		2	3		FLASH / STROBE
				0-255	Flash / Strobe Effect SLOW to FAST
	2	3	4		DIMMING CURVE MODES
				0-41	STANDARD
				42-84	STAGE
				85-127	TV
				128-170	ARCHITECTURAL
				171-213	THEATRE
214-255	Default to Unit Setting				



ELATION® CUEPIX BLINDER WW2™					
DMX Channel Values / Functions VERSION 2 (4 DMX Channels)					
Release Date: 1/2015   Supports Software Versions: ≥ 1.07					
Specifications are subject to change without any prior written notice.					
*Control of LEFT and RIGHT COB Modules chase direction depends on the Flip setting.					
MODE / CHANNEL				VALUE	FUNCTION
1 CH	2 CH	3 CH	4 CH		
1	1	1			MASTER DIMMER
				0-255	Intensity 0 to 100%
			1		*LEFT COB MODULE DIMMER
				0-255	Intensity 0 to 100%
			2		*RIGHT COB MODULE DIMMER
				0-255	Intensity 0 to 100%
		2	3		FLASH / STROBE
				0-31	COB OFF
				32-63	COB ON
				64-95	FLASH Strobe Effect SLOW to FAST
				96-127	COB ON
				128-159	PULSE Strobe Effect SLOW to FAST
				160-191	COB ON
				192-223	RANDOM Strobe SLOW to FAST
				224-255	COB ON
	2	3	4		DIMMING CURVE MODES
				0-41	STANDARD
				42-84	STAGE
				85-127	TV
				128-170	ARCHITECTURAL
				171-213	THEATRE
				214-255	Default to Unit Setting

ELATION® CUEPIX BLINDER WW2™					
DMX Channel Values / Functions VERSION 3 (4 DMX Channels)					
Release Date: 2/1/2016   Supports Software Versions: ≥ 1.10					
Specifications are subject to change without any prior written notice.					
*Control of LEFT and RIGHT COB Modules chase direction depends on the Flip setting.					
MODE / CHANNEL				VALUE	FUNCTION
1 CH	2 CH	3 CH	4 CH		
1	1	1			<b>MASTER DIMMER</b>
				0-255	Intensity 0 to 100%
			1		<b>*LEFT COB MODULE DIMMER</b>
				0-255	Intensity 0 to 100%
			2		<b>*RIGHT COB MODULE DIMMER</b>
				0-255	Intensity 0 to 100%
		2	3		<b>FLASH / STROBE</b>
				0-31	COB OFF
				32-63	COB ON
				64-95	FLASH Strobe Effect SLOW to FAST
				96-127	COB ON
				128-159	PULSE Strobe Effect SLOW to FAST
				160-191	COB ON
				192-223	RANDOM Strobe SLOW to FAST
				224-255	COB ON
	2	3	4		<b>DIMMING CURVE MODES</b>
				0-20	STANDARD
				21-40	STAGE
				41-60	TV
				61-80	ARCHITECTURAL
				81-100	THEATRE
				101-255	Default to Unit Setting

ELATION® CUEPIX BLINDER WW2™					
DMX Channel Values / Functions VERSION 3 (4 DMX Channels)					
Release Date: 12/14/2017   Supports Software Versions: ≥ 1.15					
Specifications are subject to change without any prior written notice.					
*Control of LEFT and RIGHT COB Modules chase direction depends on the Flip setting.					
MODE / CHANNEL				VALUE	FUNCTION
1 CH	2 CH	3 CH	4 CH		
1	1	1			<b>MASTER DIMMER</b>
				0-255	Intensity 0 to 100%
			1		<b>*LEFT COB MODULE DIMMER</b>
				0-255	Intensity 0 to 100%
			2		<b>*RIGHT COB MODULE DIMMER</b>
				0-255	Intensity 0 to 100%
		2	3		<b>FLASH / STROBE</b>
				0-31	COB OFF
				32-63	COB ON
				64-95	FLASH Strobe Effect SLOW to FAST
				96-127	COB ON
				128-159	PULSE Strobe Effect SLOW to FAST
				160-191	COB ON
				192-223	RANDOM Strobe SLOW to FAST
				224-255	COB ON
	2	3	4		<b>DIMMING CURVE MODES</b>
				0-20	STANDARD
				21-40	STAGE
				41-60	TV
				61-80	ARCHITECTURAL
				81-100	THEATRE
				101-120	STAGE 2
				120-255	Default to Unit Setting

## CLEANING AND MAINTENANCE



**C A U T I O N**

**Disconnect power before cleaning or maintenance.**

### CLEANING

Frequent cleaning is recommended to insure proper function, optimized light output, and an extended life. The frequency of cleaning depends on the environment in which the fixture operates: damp, smoky or particularly dirty environments can cause greater accumulation of dirt on the fixture's optics.

Clean the external lens surface at least every 20 days with a soft cloth to avoid dirt/debris accumulation. Never use alcohol, solvents, or ammonia based cleaners.

### MAINTENANCE

Regular inspections are recommended to insure proper function and extended life.

There are no user serviceable parts inside this fixture, please refer all other service issues to an authorized Elation service technician. Should you need any spare parts, please order genuine parts from your local Elation dealer.

Please refer to the following points during routine inspections:

- A detailed electric check by an approved electrical engineer every three months, to make sure the circuit contacts are in good condition and prevent overheating.
- Be sure all screws and fasteners are securely tightened at all times. Loose screws may fall out during normal operation resulting in damage or injury as larger parts could fall.
- Check for any deformations on the housing, color lenses, rigging hardware and rigging points (ceiling, suspension, trussing). Deformations in the housing could allow for dust to enter into the fixture. Damaged rigging points or unsecured rigging could cause the fixture to fall and seriously injure a person(s).
- Electric power supply cables must not show any damage, material fatigue or sediments. Never remove the ground prong from the power cable.

## TECHNICAL SPECIFICATIONS

### FEATURES

High Power Long Life Warm White COB LEDs  
60° Beam Angle - 80° Field Angle  
Individual Control of Each COB Module  
5 Variable Dimming Curve Modes  
RDM (Remote Device Management)  
Flicker FREE Operation for TV and FILM

### SOURCE

(2) 100W Warm White 3,200K COB LEDs  
100,000 Hour Average Life

### EFFECTS

Strobe  
Variable and Selectable Dimming Curves

### CONTROL / CONNECTIONS

4 DMX Channel Modes (1 / 2 / 3 / 4)  
4 Button Control Panel and LCD Menu Display  
3pin and 5pin DMX In/Out  
RDM (Remote Device Management)  
Power In/Out

### SIZE / WEIGHT

Length: 18.8" (478 mm)  
Width: 7.1" (181.2 mm)  
Horizontal Height: 10.2" (259.4 mm)  
Weight: 11.2 lbs. (5.1 kg)

### ELECTRICAL / THERMAL

AC 100-240V - 50/60Hz  
229W Max Power Consumption  
14°F to 113°F (-10°C to 45°C)

### APPROVALS / RATINGS

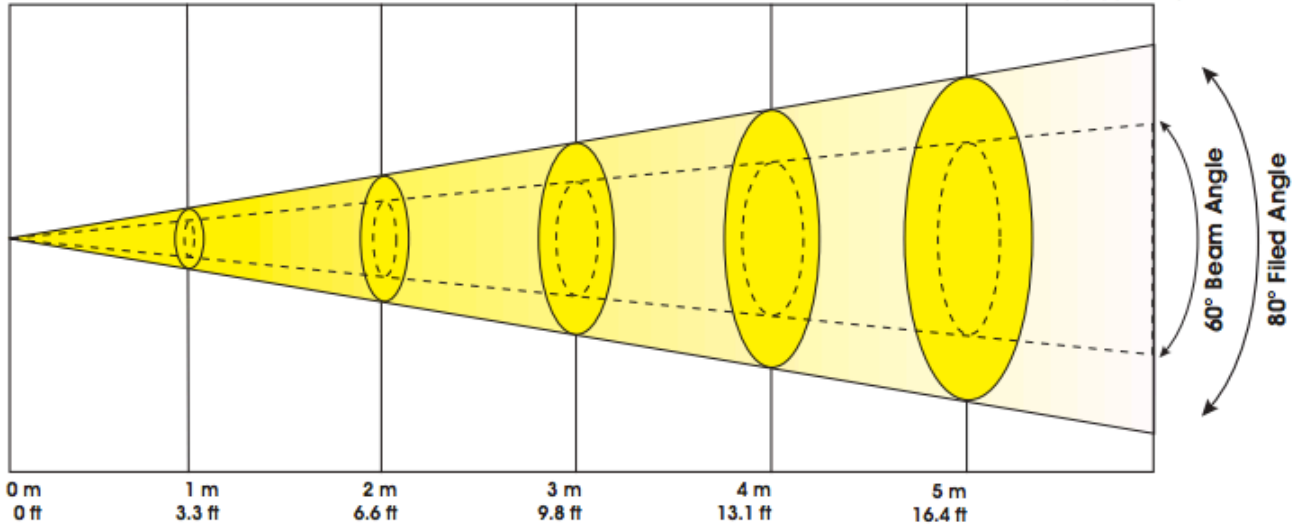
CE | IP20



Please Note: Specifications and improvements in the design of this unit and this manual are subject to change without any prior written notice.

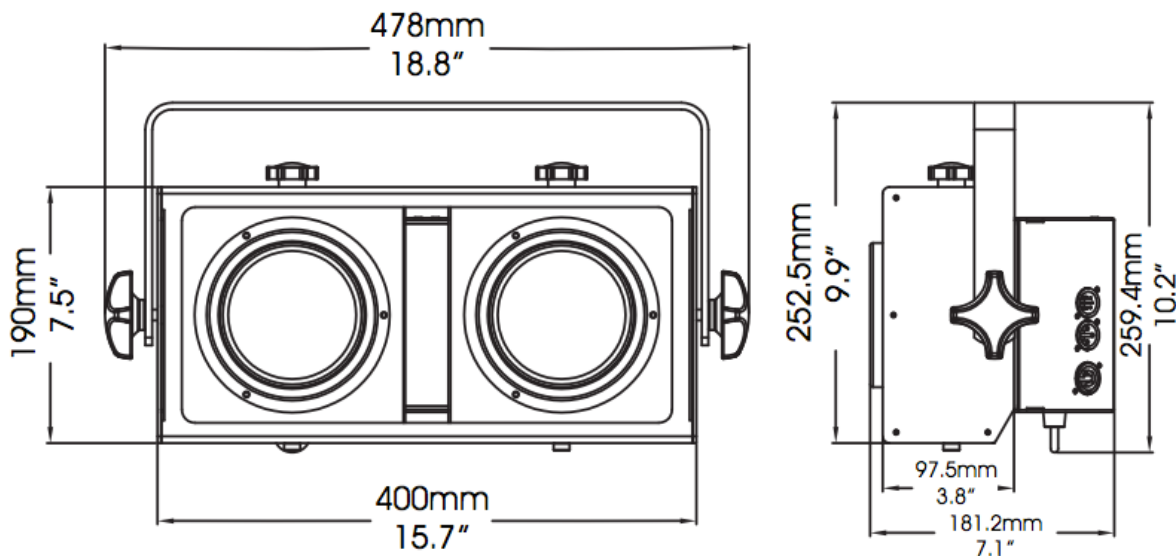
### PHOTOMETRIC DATA

FULL ON    548 FC / 5900 LUX    127 FC / 1370 LUX    59 FC / 635 LUX    37 FC / 396 LUX    25 FC / 264 LUX    LUX x 0.0929 = FC



	0 m 0 ft	1 m 3.3 ft	2 m 6.6 ft	3 m 9.8 ft	4 m 13.1 ft	5 m 16.4 ft
<b>Max Beam Diameter</b>						
60° Beam Angle	∅ 1.4 m / ∅ 4.4 ft	∅ 2.4 m / ∅ 7.7 ft	∅ 3.5 m / ∅ 11.3 ft	∅ 4.6 m / ∅ 15.1 ft	∅ 5.8 m / ∅ 18.9 ft	
80° Field Angle	∅ 2.0 m / ∅ 6.5 ft	∅ 3.4 m / ∅ 11.0 ft	∅ 5.0 m / ∅ 16.5 ft	∅ 6.7 m / ∅ 22.0 ft	∅ 8.4 m / ∅ 27.6 ft	

### DIMENSIONAL DRAWINGS



Please Note: Specifications and improvements in the design of this unit and this manual are subject to change without any prior written notice.

## OPTIONAL ACCESSORIES

ORDER CODE	ITEM
TRIGGER CLAMP	Heavy Duty Wrap Around Hook Style Clamp
EWDMXSYSTEM	Wireless DMX System (1 Transmitter, 1 Receiver)
EWDMXT	Wireless DMX Transmitter
EWDMXR	Wireless DMX Receiver
PLC3	3' (1m) power Cable
PLC6	6' (1.8m) power Cable
AC3PDMX5PRO	5 ft. (1.5m) 3pin PRO DMX Cable
AC5PDMX5PRO	5 ft. (1.5m) 5pin PRO DMX Cable
	Additional Cable Lengths Available

