



Lightblaster 200

2x100W Warm White + Cold White COB LED Blinder
Abbagliatore LED 2x100W COB Warm White + Cold White

User Manual

Manuale Utente

Carefully read this manual and properly take care of it
Leggete questo manuale e conservatelo per future consultazioni



Dear customer,

First of all thanks for purchasing a Centolight® product. Our mission is to satisfy all possible needs of light designers and professionals of entertainment lighting, by offering a wide range of products based on the latest technologies.

We hope you will be satisfied with this fixture and, if you want to collaborate, we are looking for a feedback from you about product operation and possible improvements to be introduced in the next future. Go to our website www.centolight.com and send an e-mail with your opinion; this will help us to build equipment ever closer to professional's real requirements.

The Centolight Team

Gentile Cliente,

Grazie per aver scelto un prodotto Centolight®. La nostra missione è quella di soddisfare ogni possibile richiesta da parte di light designers e professionisti dell'illuminotecnica per l'intrattenimento, offrendo una vasta gamma di apparecchiature basate su tecnologie di ultima generazione.

Speriamo di aver soddisfatto le vostre aspettative e, se voleste collaborare, saremo lieti di ricevere un vostro feedback sulla qualità del prodotto al fine di migliorare costantemente la nostra produzione. Visitate il nostro sito www.centolight.com ed inviateci una mail con la vostra opinione; questo ci aiuterà a sviluppare nuovi prodotti quanto più vicini alle vostre esigenze.

Il Team Centolight

TABLE OF CONTENTS

1 - Before you Begin	4
1.1. What is included- - - - -	4
1.2. Unpacking Instructions - - - - -	4
1.3. Accessories - - - - -	4
1.4. Disclaimer - - - - -	5
2 - Safety Instructions	5
2.1. Symbols Meaning - - - - -	5
3 - Mounting and Rigging	6
3.1. Rigging - - - - -	6
3.2. Water / Moisture - - - - -	6
3.3. Heat - - - - -	7
3.4. Servicing - - - - -	7
4 - Introduction	7
4.1. Features - - - - -	7
4.2. Product Dimensions and Overview - - - - -	8
5 - Product Setup	8
5.1. Rear Panel Description- - - - -	8
5.2. About Power Connection - - - - -	10
5.3. About Dmx Connection - - - - -	10
5.4. DMX Terminator - - - - -	11
5.5. 3-Pin vs 5-Pin DMX cables - - - - -	11
6 - Menu Operation	12
6.1. Set DMX Address - - - - -	12
6.2. DMX Channel Assignments and Values - - - - -	12
6.3. Master/Slave Mode - - - - -	13
7 - Lux Table	13
8 - Troubleshooting	13
9 - Specification	15
10 - Warranty And Service	16
11 - Warning	16

1 – BEFORE YOU BEGIN

Thank you for purchasing Lightblaster 200. Enjoy your new equipment and make sure to read this manual carefully before operation! This user manual is made to provide both an overview of controls, as well as information on how to use them.

1.1 What is included

Package include:

- 1x Centolight Lightblaster 200 blinder
- 1x 1.2m (47in ca.) Powercon to Europlug power cable
- 1X 2m (79in ca.) DMX Cable 3-pin XLR-M to 3-pin XLR-F
- This User Manual

⚠ ATTENTION: Packaging bag is not a toy! Keep out of reach of children!!! Keep in a safe place the original packaging material for future use.

1.2 Unpacking Instructions

Carefully unpack the product immediately and check the content to make sure all the parts are in the package and are in good condition.

If the box or the contents (the product and included accessories) appear damaged from shipping, or show signs of mishandling, notify the carrier or dealer/seller immediately. In addition, keep the box and contents for inspection.

If the fixture must be returned to the manufacturer, it is important that it is returned in the original manufacturer box and packing. Please do not take any action without first contacting your dealer or getting in touch with our after-sales support service (visit www.centolight.com for details).

1.3 Accessories

Centolight can supply a wide range of quality accessories that you can use with your Lightblaster Series equipment, like Cables, Splitters, DMX controllers, Consumables, and a wide range of other fixtures.

All products in our catalogue has been long tested with this device, so we recommend you to use Genuine Centolight Accessories and Parts.

Ask your Centolight dealer or check out our website www.centolight.com for any accessories you could need to ensure best performance of the product.

14. Disclaimer

The information and specifications contained in this User Manual are subject to change without notice. Centolight assumes no responsibility or liability for any errors or omissions and reserves the right to revise or to create this manual at any time.

Copyright© 2021 Centolight. All rights reserved.

2 - SAFETY INSTRUCTIONS

- Read these instructions
- Keep these instructions
- Heed all warning
- Follow all instructions

21. Symbols Meaning



The symbol is used to indicate that some hazardous live terminals are involved within this apparatus, even under the normal operating conditions, which may be sufficient to constitute the risk of electric shock or death.



The symbol is used to describe important installation or configuration problems. Not following advice and information on how to avoid such problems may lead to product malfunction.



This symbol indicates a protective grounding terminal.

WARNING:

Describes precautions that should be observed to prevent the danger of injury or death to the operator.



To protect the environment, please try to recycle packing material and exhausted consumables as much as possible.



This symbol indicates that the fixture is intended to indoor use only. Keep the machine dry and do not expose to rain and moisture.



Don't throw this product away just as general trash, please deal with the product follow the abandon electronic product regulation in your country.

3 – MOUNTING AND RIGGING

⚠ Pay attention to safety! Please respectively consider the EN 60598-2-17 and the national standard during the installation. Only authorized technicians can carry out the installation.

3.1 Rigging

- The installation of the fixture has to be built and constructed in a way that it can hold 10 times the weight for 1 hour without any harming demolition. The installation must always be secured with a secondary safety attachment, e.g. an appropriate catch net. This secondary safety attachment must be constructed in a way that no part of the installation can fall down if the main attachment fails.
- When rigging, de-rigging or servicing the fixture staying in the area below the installation place, on bridges, under high working places and other endangered areas is forbidden. The operator has to make sure that the safety measure and the machine's technical installation is approved by an expert before taking into operation for the first time and after changes before taking into operation another time. He has also to make sure that an expert approves safety measure and the machine's technical installation once a years.

⚠ IMPORTANT: Overhead rigging requires extensive experience, including (but not limited to) calculating working load limits, installation material being used, and periodic safety inspection of all installation material and the projector. If you lack these qualifications, do not attempt the installation yourself, but instead use a professional structural rigger. Improper installation can result in bodily injury or property loss.

- If the fixture shall be lowered from the ceiling or high joists, professional trussing systems have to be used. The fixture must never be fixed swinging freely in the room.

⚠ CAUTION: Use appropriate clamps to rig the fixture on the truss. Make sure that the device is fixed properly! Ensure that the structure (truss) to which you are attaching the fixtures is secure.

3.2 Water / Moisture

- The product is for indoor use. In order to prevent risk of fire or electric shock, do not expose to rain or moisture

- The unit can not be used near water; for example near a bathtub, a kitchen sink, a swimming pool, etc.

3.3. Heat

- Do not use in a confined space. Always install the product in a location with adequate ventilation, at least 20in (50 cm) from adjacent surfaces. Be sure that no ventilation slots on the product's housing are blocked.
- The apparatus should be located away from heat sources such as radiators, stoves or other appliances that produce heat.



Don not use it when maximum ambient temperature is higher than 50°C Work temperature ranges from -20°C to 40°C (-4°F to 104°F).

3.4. Servicing

- Do not implement any servicing other than those means described in the manual. Refer all servicing to qualified service personnel only. The internal components of the equipment must be purchased from the manufacturer. Only use accessories/attachments or parts recommended by the manufacturer.

4 - INTRODUCTION

The Lightblaster Blinder series by Centolight combine the traditional advantages of LED technology (energy saving, reliability and durability) with the additional advantages offered by COB (Chip On Board) technology, such as the high amount of Lux, excellent thermal dissipation and the possibility of creating areas with different color temperatures on the same chip.

The light source consists of 2 LEDs of 100W each with 2 zones of 50W each, respectively, warm white (about 3200°K) and cool white (about 6500°K). The mix of the two colors (manually adjustable or via DMX) allows you to obtain whites with temperatures chosen according to the place of installation.

The 16-bit DMX control is extremely accurate and flicker-free, allowing the use of these blinders even during video shooting.

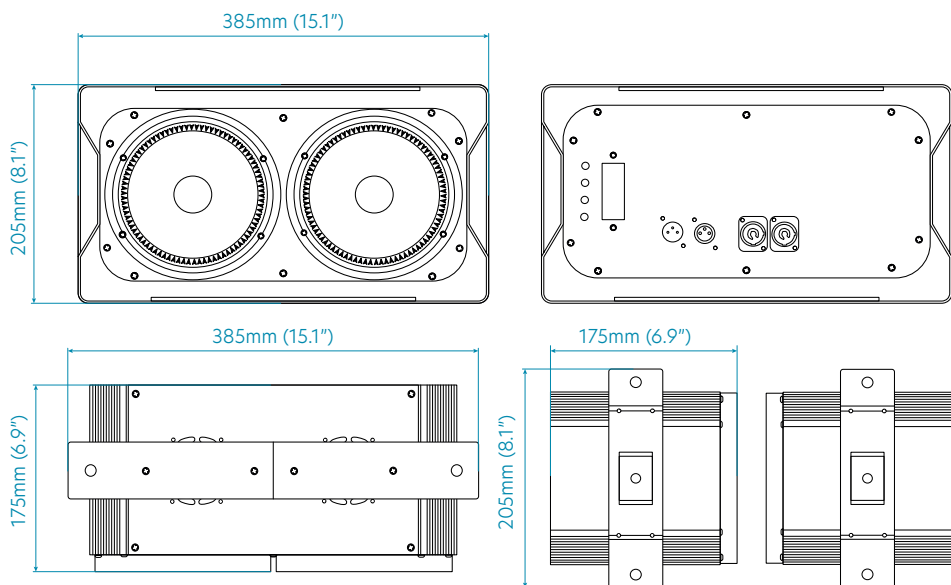
The steel housing is extremely robust and is designed to facilitate heat dissipation. The processor controls the fan speed to minimize fan noise based on the internal temperature.

4.1. Features

- 2x 100W COB Led chips

- Warm White and Pure White Mixing
- Color Temperature ranging from 3000K to 6500K
- 14580 Lux @1m Luminance
- CRI: Ra≥80
- Advanced Dimmer System
- Long Life Span Chips (over 30000 hours)
- 80° Lens Angle
- No flicker, No dithering, No Jitter
- Advanced cooling system for fan noise reduction

4.2. Product Dimensions and Overview



5 - PRODUCT SETUP

5.1. Rear Panel Description

The operation panel includes the LED display and control button operation area.

1) Control Buttons

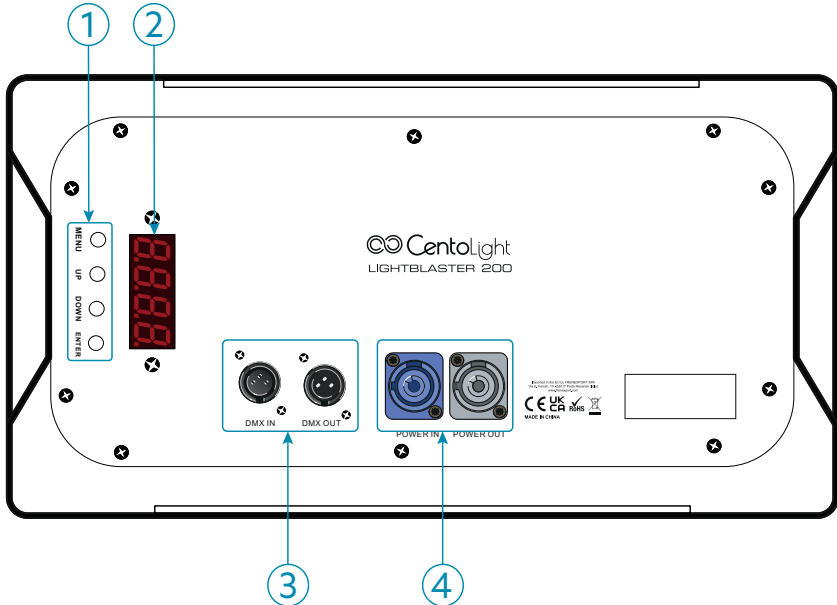
MENU Button - Short-press it to switch the setting pages.

UP Button - It scrolls up individual items in the selection menu and sub-menus for

system settings (DMX address, Operation Mode, etc.), and increases values/settings of parameters.

DOWN Button - It scrolls down individual items in the selection menu and sub-menus for system settings (DMX address, Operation Mode, etc.), and increases values/settings of parameters.

ENTER Button - Press ENTER to access menu levels and confirm parameter value changes.



2) 4 Digit LED Display

It shows the operating mode and other system information.

3) DMX Input/Output Sockets

DMX Input is a 3-pin male XLR socket for connection to a DMX control device. DMX output is a 3-pin female socket for sending the DMX control signal to other units.

4) Power Input / Output Sockets

Plug the power-cord included with Lightblaster 200 into an AC socket properly configured for this fixture. Please read "5.2. About Power Connection" on page 10 for details.

This fixture is also equipped with an output powercon connector to be used as power mains source in case of **cascade connection up to a maximum of 6 fix-**

tures.

5.2. About Power Connection

- Always make sure that the voltage of the outlet you are connecting the product to is within the range stated in paragraph "9 - Specification" on page 15 or rear panel of the product (AC110V-240V 50/60Hz).
- Make sure the power cord is not crimped or damaged. Never connect this product to a dimmer pack or rheostat.
- Never disconnect the product from power cord by pulling or tugging on the cord.
- To avoid electric shock, all fixtures must be connected to circuits with a suitable ground and circuit breaker.
- Wire correspondence is as follows:

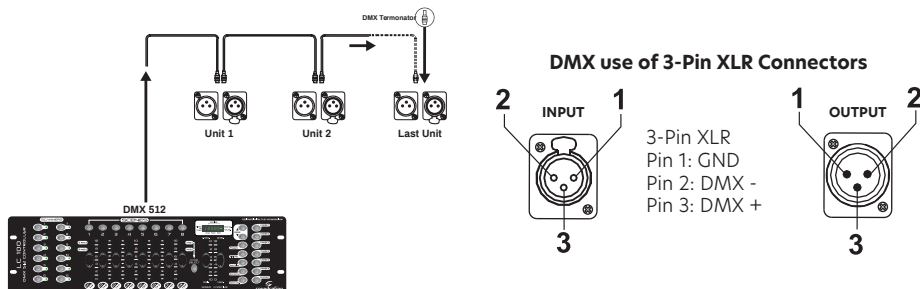
Cable (EU)	Pin	International
Brown	Live	L
Blue	Neutral	N
Yellow/Green	Earth	⊕

Earth must be connected! Always pay attention to safety! Before taking into operation for the first time, the installation has to be approved by an expert.

5.3. About Dmx Connection

When use a DMX controller, please make sure that there is no interference sources (e.g. intercom, high frequency radio waves and radiation source).

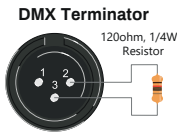
DMX machines are designed to receive data through a serial Daisy Chain. A Daisy Chain connection is where the DATA OUT of one fixture connects to the DATA IN of the next fixture. The order in which the machines are connected is not important and has no effect on how a controller communicates to each of them. Use an order that provides for the easiest and most direct cabling.



Connect machines using shielded 2-conductor twisted pair cable with 3-pin XLR male to female connectors. The shield connection is pin 1, while pin 2 is Data Negative (S-), and pin 3 is Data positive (S+).

⚠ CAUTION: Wires must not come into contact with each other; otherwise the fixtures will not work at all, or will not work properly.

5.4. DMX Terminator



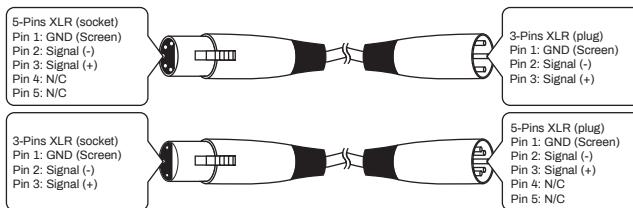
DMX is a resilient communication protocol, however errors still occasionally occur. In order to prevent electrical noise from disturbing and corrupting the DMX control signals, a good habit is to connect DMX output of last fixture in the chain to a DMX terminator, especially over long signal cable runs.

The DMX terminator is simply an XLR connector with a 120Ω (ohm), 1/4 Watt resistor connected across Signal (-) and Signal (+), respectively, pins 2 and 3, which is then plugged into the output socket on last projector in the chain. The connections are illustrated below.

⚠ Complimentary signal cable can transmits signals to 20 unit fixtures at most. Signal amplifier is a must to connect more fixtures.

5.5. 3-Pin vs 5-Pin DMX cables

DMX connection protocols used by controllers and fixtures manufacturers are not standardized around the world. However, two are the most common standards: 5-Pin XLR and 3-Pin XLR system. If you wish to connect this fixture to a 5-Pin XLR input fixture, you need to use an adapter-cable or make it by yourself. Below you can see the wiring correspondence between 3-Pin and 5-Pin plug and socket standards



6 - MENU OPERATION

By pressing MENU button, the display will cycle through 12 different menus. Press ENTER button to enter the corresponding menu, press UP or DOWN to modify current parameter value. Then, press ENTER button again to save current value.

No.	Menu	Function
1	d001-d512	DMX 4 channel mode. Adjusts DMX512 address from 001 to 512.
2	A001-A512	DMX 8 channel mode. Adjusts DMX512 address from 001 to 512.
3	r000-r255	Warm White 1 brightness adjustment from dark to maximum brightness
4	g000-g255	Pure White 1 brightness adjustment from dark to maximum brightness
5	b000-b255	Warm White 2 brightness adjustment from dark to maximum brightness
6	u000-u255	Pure White 2 brightness adjustment from dark to maximum brightness
7	FH01-FH99	Strobe effect from slow to fast
8	CL01-CL12	Manual Color Selection
9	CC01-CC99	Jump change, from slow to fast
10	dE00-dE99	Gradual change, from slow to fast
11	CP00-CP99	Pulse change, from slow to fast
12	SOU1-SOU9	Sound Control, microphone sensitivity from low to high

6.1 Set DMX Address

When selecting a starting DMX address, always consider the number of DMX channels. If you choose a starting address that is too high, you could restrict the access to some of the product's channels. Lightblaster 200 uses 4 DMX channels or 8 DMX channel (according to the DMX mode chosen), which defines the highest configurable address to 509 or 505 to have all channels controllable.

Set the Lightblaster 200 starting address in the 001 - 509 DMX range to enable control of up to 128 blinders in the 4-channel control mode. Set the Lightblaster 200 starting address in the 001 - 505 DMX range to enable control of up to 64 blinders in the 8-channel control mode.

6.2 DMX Channel Assignments and Values

When use DMX control , the system takes 4 or 8 channels (depending on selected DMX mode. Below you can see the channel assignments for both modes.

1) 4-ch DMX512 Channel Chart

CH	Function	Description
CH1	WW1 Dimmer	0-255 : Warm White 1 Linear Dimming , from Dark to Bright.
CH2	PW1 Dimmer	0-255 : Pure White 1 Linear Dimming, from Dark to Bright.
CH3	WW2 Dimmer	0-255 : Warm White 2 Linear Dimming , from Dark to Bright.
CH4	PW2 Dimmer	0-255 : Pure White 2 Linear Dimming, from Dark to Bright.

2) 11-ch DMX512 Channel Chart

CH	Function	Specification
CH1	Dimmer	0-255: Global Linear Dimmer adjustment, from dark to bright
CH2	R dimmer	0-255 : Warm White 1 Linear Dimming , from Dark to Bright.
CH3	G dimmer	0-255 : Pure White 1 Linear Dimming, from Dark to Bright.
CH4	B dimmer	0-255 : Warm White 2 Linear Dimming , from Dark to Bright.
CH5	W dimmer	0-255: Pure White 2 Linear Dimming, from Dark to Bright.
CH6	Strobe	0-255: Strobe effect from slow to fast
CH7	Function Selection	000-050: Dimmer 051-100: Color Selection 101-150: Jump Change 151-200: Gradual Change 201-250 Pulse Change 251-255 Sound Control
CH8	Function Adjustment	When CH7 ranges from 51 to 250, it adjusts the speed from slow to fast When CH7 ranges from 251 to 255, it selects the sound mode and adjusts the microphone sensitivity

6.3 Master/Slave Mode

In case you need to control more Lightblaster 200 simultaneously (all fixtures operate exactly the same way) without the use of a DMX controller, you can use the Master/Slave function. There is no specific function to be activated on the display; simply the master unit must be connected first, all the others in daisy-chain through the DMX IN-OUT connections. All units (master and slaves) should be in same Channel Mode (all 4CH or 8CH) and same DMX channel.

7 - LUX TABLE

Distance	1m	3m	5m
Luminance	14580 Lux	1555 Lux	578 Lux
Diameter	230 cm	346 cm	577 cm

Note: 80° Beam Angle; 3000K+6500K LED source combined

8 - TROUBLESHOOTING

Problem	Probable Cause(s)	Remedy
No response from fixture when power is applied	No power to fixture	Check power cables
		Check mains plug
Fixture does not reset correctly	Electronic failure	Contact service technician*

No light, LED cuts out intermittently, or burns out too quickly	LED missing or blown	Disconnect fixture and replace the LED
	Fixture or LED is too hot	Allow fixture to cool. If problem persists, contact service technician*
Fixture resets but does not respond correctly to controller (DMX mode operation)	Controller not connected	Connect controller
	Incorrect addressing of the fixtures	Check address setting on fixture and controller
	Bad data link connection	Inspect cables and correct poor connections and/or broken cables.
	Conflict between tracking and vector control	Eliminate scene cross-fade on controller
	Data link not terminated	Insert termination plug in output of last fixture**
	Defective fixture on 2 devices transmitting on link	Bypass fixtures one at a time until normal operation is regained: unplug both connectors and connect them directly together

* To contact CentoLight service, see "10 - Warranty And Service" on page 16 or visit www.centolight.com

** For instruction on how to install a DMX terminator, see "5.4. DMX Terminator" on page 11.

9 - SPECIFICATION

Light Source	2x 100W COB Leds
Color System	Warm White / Cold White, mixable
Chip Life	Over 50,000h
CCT	3000K + 6500K
Luminous Flux	14580 Lux @ 1m, 1555 Lux @ 3m, 578 Lux @ 5m
CRI	Ra≥80
Dimmer Control Frequency	Flicker-Free
Lens Angle	80°
Strobe	1-10t/s
Operative Modes	DMX, Master/Slave, Manual, Sound, Auto
DMX512 Modes	8CH, 4CH
IP Rate	IP22
DMX In/Out	3-pin XLR
Power Socket	Powercon In/Out
Voltage	110V ~ 240V, 50-60Hz
Power Consumption	250W max
Fuse	5AL - 250V (5x20mm)
Working Temperature	-20÷40°C (-4÷104°F)
Housing Material	Steel
Fixture Size	385 x 175 x 205 mm - 15.1 x 6.9 x 8.1 in
Fixture Weight	4,5 kg - 9.9 lbs.
Packing Size	430 x 280 x 260 mm - 16.9 x 11.0 x 12.2 in
Gross Weight	5,5 kg - 12.1 lbs.

Note: Our products are subject to a process of continual further development. Therefore modifications to the technical features remain subject to change without further notice.

10 - WARRANTY AND SERVICE

All Centolight products feature a limited two-year warranty. This two-year warranty starts from the date of purchase, as shown on your purchase receipt. The following cases/components are not covered by this warranty:

- Any accessories supplied with the product
- Improper use
- Fault due to wear and tear
- Any modification of the product effected by the user or a third party

Centolight shall satisfy the warranty obligations by remedying any material or manufacturing faults free of charge at Centolight's discretion either by repairing or exchanging individual parts or the entire appliance. Any defective parts removed from a product during the course of a warranty claim shall become the property of Centolight.

While under warranty, defective products may be returned to your local Centolight dealer together with the original proof of purchase. To avoid any damages in transit, please use the original packaging if available. Alternatively, you can send the product to Centolight SERVICE CENTER - Via Enzo Ferrari, 10 - 62017 Porto Recanati - Italy. In order to send a product to service center, you need an RMA number. Shipping charges have to be covered by the owner of the product.

For further information please visit www.centolight.com

11 - WARNING

PLEASE READ CAREFULLY - EU and EEA (Norway, Iceland and Liechtenstein) only



This symbol indicates that this product is not to be disposed of with your household waste, according to the WEEE Directive (2012/19/UE) and your national law.

This product should be handed over to a designated collection point, e.g., on an authorized one-for-one basis when you buy a new similar product or to an authorized collection site for recycling waste electrical and electronic equipment (WEEE).

Improper handling of this type of waste could have a possible negative impact on the environment and human health due to potentially hazardous substances that are generally associated with EEE. At the same time, your cooperation in the correct disposal of this product will contribute to the effective usage of natural resources.

For more information about where you can drop off your waste equipment for recycling, please contact your local city office, waste authority, approved WEEE scheme or your household waste disposal service.

SOMMARIO

1 - Prima Di Iniziare	18
1.1. Cosa è Incluso - - - - -	18
1.2. Istruzioni per il Disimballaggio - - - - -	18
1.3. Accessori - - - - -	18
1.4. Limiti di Responsabilità - - - - -	19
2 - Istruzioni di Sicurezza	19
2.1. Significato dei simboli - - - - -	19
3 - Montaggio e Appendimento	20
3.1. Installazione Sospesa - - - - -	20
3.2. Acqua / umidità - - - - -	20
3.3. Calore - - - - -	21
3.4. Manutenzione - - - - -	21
4 - Introduzione	21
4.1. Caratteristiche - - - - -	21
4.2. Dimensioni e Panoramica del Prodotto - - - - -	22
5 - Setup del prodotto	22
5.1. Descrizione del pannello posteriore - - - - -	22
5.2. Connessioni di Rete - - - - -	24
5.3. Connessioni DMX - - - - -	24
5.4. Terminatore DMX - - - - -	25
5.5. Cavi DMX 3-Poli/5-Poli - - - - -	25
6 - Funzionamento dei Menu	25
6.1. Impostazione dell'indirizzo DMX - - - - -	26
6.2. Assegnazioni e valori dei canali DMX - - - - -	26
6.3. Modalità Master/Slave - - - - -	27
7 - Tabella dei Lux	27
8 - Risoluzione dei Problemi	27
9 - Specifiche Tecniche	29
10 - Garanzia e Assistenza	30
11 - Avviso UE e SEE (Norvegia, Islanda, Liechtenstein)	30


1 - PRIMA DI INIZIARE

Grazie per aver acquistato il proiettore Lightblaster 200. Prima di iniziare, assicuratevi di leggere attentamente questo manuale! Esso utente è stato creato per fornire sia una panoramica dei controlli, sia informazioni su come usarli.

1.1. Cosa è Incluso

La confezione include:

- 1x proiettore Centolight Lightblaster 200
- 1X Cavo di Rete da 1.2m (47in ca.) con connettori Powercon e Europlug (tedesca)
- 1x Cavo da 2m (79in ca.) DMX XLR 3pin Maschio - XLR 3-pin Femmina
- Questo Manuale d'uso

 **ATTENZIONE:** La confezione non è un giocattolo! Tenere fuori dalla portata dei bambini! Conservare in un luogo sicuro il materiale di imballaggio originale.

1.2. Istruzioni per il Disimballaggio

Tirare fuori dall'imballo il prodotto con attenzione e controllare il cartone per assicurarsi che tutte le parti siano nella confezione e siano in buone condizioni.

Se la confezione o il contenuto (il prodotto e gli accessori inclusi) risultano danneggiati dalla spedizione o mostrano segni di maltrattamento, avvisare immediatamente il vettore o il rivenditore. Inoltre, conservare la scatola e il contenuto per una eventuale ispezione.

Se l'apparecchiatura dovesse essere restituita al produttore, è importante che venga riportata o spedita nell'imballo originale del produttore. Si prega di non intraprendere alcuna azione senza prima contattare il proprio rivenditore o aver contattato il nostro servizio di assistenza post-vendita (visitare www.centolight.com per i dettagli).

1.3. Accessori

Centolight fornisce un'ampia gamma di accessori di qualità che è possibile utilizzare con le apparecchiature della serie Lightblaster, come cavi, splitter, controller DMX, materiali di consumo e un'ampia gamma di altri fari.

Tutti i prodotti nel nostro catalogo sono stati testati a lungo con questo dispositivo, quindi ti consigliamo di utilizzare accessori e ricambi originali Centolight.

Chiedete al vostro rivenditore Centolight o visitate il nostro sito web www.centolight.com per eventuali accessori di cui potreste aver bisogno per garantire le migliori prestazioni al vostro prodotto.

14. Limiti di Responsabilità

Le informazioni e le specifiche contenute in questo manuale utente sono soggette a modifiche senza preavviso. Centolight non si assume alcuna responsabilità per eventuali errori od omissioni e si riserva il diritto di rivedere o creare questo manuale in qualsiasi momento.

Copyright© 2021 Centolight. Tutti i diritti riservati.

2 - ISTRUZIONI DI SICUREZZA

- Leggete queste istruzioni
- Conservate queste istruzioni
- Prestate attenzione a tutti gli avvertimenti
- Seguite tutte le istruzioni

21. Significato dei simboli



Questo simbolo viene utilizzato per indicare che all'interno di questo apparecchio sono presenti terminali sotto tensione, anche in condizioni operative normali, che possono essere sufficienti a costituire il rischio di scosse elettriche o morte.



Questo simbolo è usato per descrivere importanti problemi di installazione o configurazione. Il mancato rispetto dei consigli e delle informazioni su come evitare tali problemi può portare al malfunzionamento del prodotto.



Questo simbolo indica un terminale di messa a terra.

ATTENZIONE

Descrive precauzioni da osservare per prevenire lesioni o morte dell'operatore.



Per proteggere l'ambiente, cercare di riciclare il più possibile il materiale di imballaggio e i materiali di consumo esauriti



Questo simbolo indica che il dispositivo può essere usato solo all'interno. Tenere asciutto il proiettore e non esporre a pioggia e umidità



Non gettare questo prodotto come spazzatura generica, conferire il prodotto seguendo le normative sui rifiuti elettronici in vigore nel vostro paese.

3 - MONTAGGIO E APPENDIMENTO

⚠ Prestare attenzione alla sicurezza! Si prega di fare sempre riferimento alla direttiva EN 60598-2-17 e agli standard nazionali in fase di installazione. Solo personale autorizzato può eseguire l'installazione.

3.1 Installazione Sospesa

- L'installazione del dispositivo deve essere progettata e costruita in un modo che possa sopportare 10 volte il peso per 1 ora, senza alcun cedimento o danneggiamento della struttura. L'installazione deve essere sempre protetta con un dispositivo di sicurezza secondario, ad esempio un cavo di sicurezza. Questo dispositivo deve essere realizzato in un modo tale che nessuna parte del prodotto possa cadere se il fissaggio principale cedesse.
- Durante le operazioni di montaggio, smontaggio o manutenzione del proiettore è vietato consentire lo stazionamento o anche solo il passaggio nell'area sottostante l'installazione. L'operatore deve assicurarsi che l'installazione e i sistemi di sicurezza siano approvati da un esperto prima di avviare per la prima volta il funzionamento dopo aver apportato qualsiasi modifica. Deve inoltre assicurarsi che un esperto approvi nuovamente l'installazione e i dispositivi di sicurezza ogni anno.

⚠ IMPORTANTE: il montaggio su strutture sospese richiede un'esperienza specifica, tra cui (ma non soltanto) il calcolo dei limiti di carico di lavoro, la scelta del materiale di installazione e l'ispezione periodica del proiettore e dei dispositivi di sicurezza. Se non si dispone di tali qualifiche, è bene non procedere con l'installazione da soli, ma si consiglia di rivolgersi a professionisti specializzati. L'installazione impropria può provocare lesioni personali anche molto gravi.

- Se il proiettore deve essere alzato verso/o abbassato dal soffitto o da travi sospese, è consigliabile usare sistemi di tralicci professionali. L'apparecchio non deve mai essere lasciato oscillare liberamente.

⚠ ATTENZIONE: utilizzare i morsetti appropriati per montare l'apparecchio sul traliccio. Assicurarsi che il dispositivo sia fissato correttamente e che il traliccio stesso sia sicuro.

3.2 Acqua / umidità

- Il prodotto è per uso interno. Al fine di prevenire il rischio di incendio o scosse elettriche, non esporre a pioggia o umidità
- L'unità non può essere utilizzata vicino all'acqua; ad esempio vicino a una vasca

da bagno, un lavello da cucina, una piscina, ecc.

3.3. Calore

- Non usare in uno spazio ristretto. Installare sempre in una posizione con un'adeguata ventilazione, almeno 20" (50 cm) da superfici adiacenti. Assicurarsi che nessuna fessura di ventilazione sull'alloggiamento del prodotto sia bloccato.
- L'apparecchio deve essere posto lontano da fonti di calore come radiatori, stufe o altri apparecchi che producono calore.



Non usarlo quando la temperatura massima ambientale è superiore a 50 °C. La temperatura ottimale di lavoro va da -20 °C a 50 °C (da -4 °F a 122 °F).

3.4. Manutenzione

- Non effettuare alcuna manutenzione diversa da quelle descritte nel presente manuale. In caso di ulteriori manutenzioni, rivolgersi a personale specializzato. Eventuali componenti interni devono essere acquistati da rivenditori specializzati. Utilizzare solo accessori o parti raccomandate dal produttore.

4 - INTRODUZIONE

Le serie di abbagliatori Centolight Lightblaster combina i vantaggi tradizionali della tecnologia Led (risparmio energetico, affidabilità e durata nel tempo) con gli ulteriori vantaggi offerti dalla tecnologia COB (Chip On board), quali l'elevata quantità di Lux, l'ottima dissipazione termica e la possibilità di creare sullo stesso chip aree con temperature di colore differenti.

La sorgente luminosa è composta da 2 Led da 100W ciascuno con 2 zone da 50W ciascuna, rispettivamente, bianco caldo (3200°K circa) e bianco freddo (6500°K circa). Il mix dei due colori (regolabile manualmente o via DMX) permette di ottenere bianchi con temperature scelte a seconda delle applicazioni.

Il controllo DMX a 16-bit è estremamente accurato e flicker-free, consentendo l'uso di questi abbagliatori anche se in presenza di riprese video.

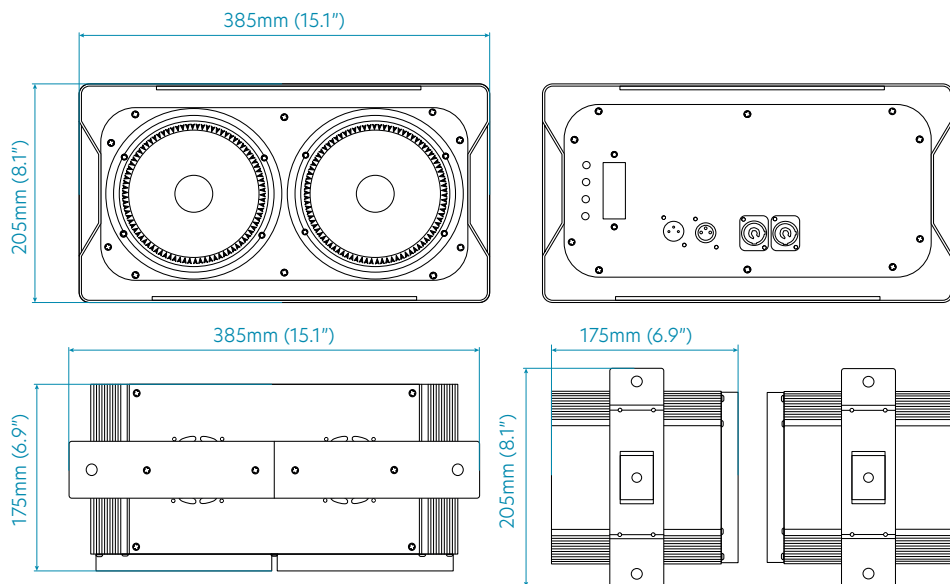
Il telaio in acciaio è estremamente robusto ed è progettato per facilitare la dissipazione del calore. Il processore controlla la velocità della ventola in modo da limitare al minimo il rumore della ventola in base alla temperatura interna.

4.1. Caratteristiche

- 3Due LED da 100W con tecnologia COB
- Miscelazione tra Bianco caldo e Bianco Puro
- Temperatura colore compresa tra 3000K e 6500K

- Luminanza di 14580 Lux @1m
- CRI: RA≥80
- Sistema Dimmer avanzato
- Led ad alta durata (oltre 30000 ore)
- Angolo di proiezione a 80°
- Sistema di Controllo privo di flicker, dithering e jitter
- Sistema di raffreddamento avanzato per la riduzione del rumore della ventola

4.2. Dimensioni e Panoramica del Prodotto



5 - SETUP DEL PRODOTTO

5.1. Descrizione del pannello posteriore

Il pannello di controllo include l'area del display a LED e dei tasti di controllo.

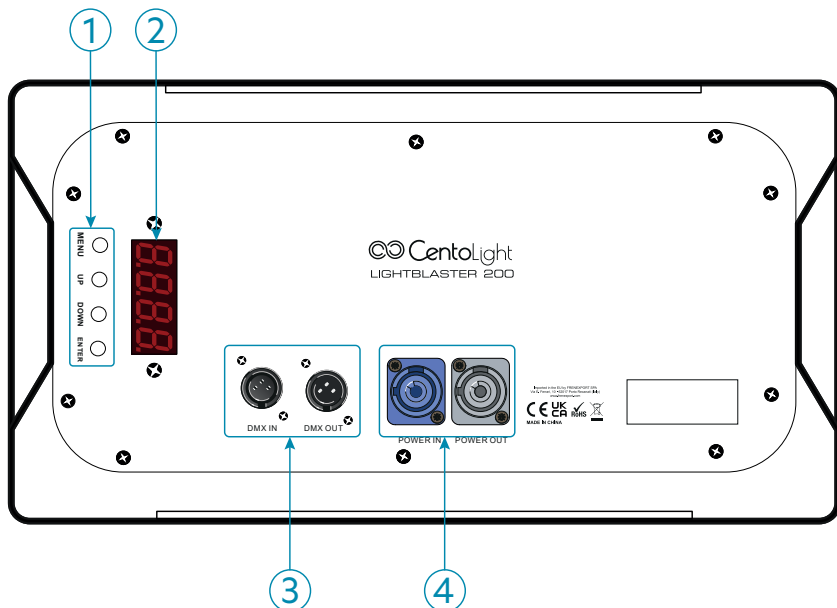
1) Tasti di controllo

Tasto MENU - Premere ripetutamente per scorrere le varie pagine di impostazione.

Tasto UP - Premere per scorrere i vari menu e i parametri dei menu (indirizzo DMX, modalità operativa, ecc.). Aumenta i valori / Impostazioni dei parametri.

Tasto Giù - Premere per scorrere i vari menu e i parametri dei menu (indirizzo DMX, modalità operativa, ecc.). Diminuisce i valori / Impostazioni dei parametri.

Tasto ENTER - Premere per accedere ai livelli dei menu e confermare le modifiche del valore dei parametri.



2) Display a LED a 4 cifre

Mostra la modalità operativa e altre informazioni di sistema.

3) Prese di ingresso/uscita DMX

L'ingresso DMX è una presa XLR maschio a 3 pin per la connessione a una centralina di controllo DMX. L'uscita DMX è presa femmina a 3-PIN per l'invio del segnale di controllo DMX ad altri fari.

4) Prese di Alimentazione

Collegare il cavo di alimentazione in dotazione a una presa di corrente adatta a questa apparecchiatura. Leggere la sezione "5.2. Connessioni di Rete" a pagina 24 per dettagli.

Questo apparecchio è inoltre dotato di una uscita di alimentazione da usare come rilancio in caso di **connessione in cascata fino a un massimo di 6 proiettori**

5.2. Connessioni di Rete

- Assicurarsi sempre che la tensione della presa a cui si collega il prodotto sia nell'intervallo indicato nel paragrafo "9 - Specifiche Tecniche" a pagina 29 (AC110V-240V; 50/60Hz).
- Assicurarsi che il cavo di alimentazione non sia spellato o danneggiato. Non collegare mai questo prodotto a un Dimmer Pack o un Variatore di Tensione.
- Non scollegare mai il prodotto dal cavo di rete tirando o tirando il cavo.
- Per evitare scosse elettriche, tutti gli apparecchi devono essere collegati a circuiti con interruttore automatico.
- La corrispondenza dei fili interni al cavo è la seguente:

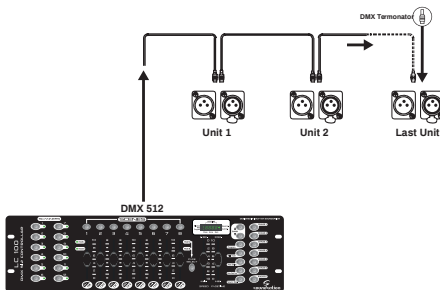
Colore Filo (EU)	Funzione	Nomenclatura Internazionale
Marrone	Fase	L
Blu	Neutro	N
Giallo/Verde	Terra	⊕

☞ La Terra deve essere collegata! Prima di mettere in funzione per la prima volta, far approvare l'installazione da un esperto.

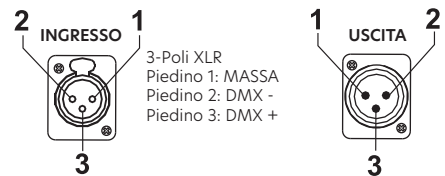
5.3. Connessioni DMX

⚠ Quando si utilizza un controller DMX, assicurarsi che non vi siano fonti di interferenza (interfono, onde radio ad alta frequenza e sorgenti di radiazioni).

Gli apparecchi DMX sono progettati per ricevere dati attraverso una catena seriale a cascata. Questo tipo di connessione permette di collegare il DMX OUT di un dispositivo al DMX IN del dispositivo successivo. L'ordine in cui i fari sono collegati non è importante e non ha alcun effetto su come una centralina comunica a ciascun proiettore. Utilizzare un ordine che preveda il cablaggio più semplice e diretto.



Uso dei 3-Piedini nei Connettori XLR per DMX



Collegare i dispositivi utilizzando un cavo bipolare schermato a 2 conduttori con connettori XLR maschio-femmina a 3 poli. La connessione dello schermo è il piedino

1, mentre il piedino 2 è negativo (S-) e il piedino 3 è positivo (S+).

⚠ ATTENZIONE: I fili non devono entrare in contatto l'uno con l'altro; altrimenti i dispositivi non funzioneranno affatto o non funzioneranno correttamente.

5.4. Terminatore DMX

Terminatore DMX



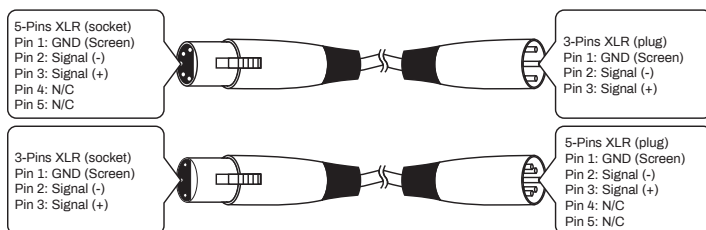
DMX è un protocollo di comunicazione resiliente, tuttavia si potrebbero verificare occasionalmente degli errori. I terminatori riducono gli errori di segnale; è quindi consigliabile usarle quando si verificano problemi con comportamenti irregolari degli apparecchi; specialmente se la lunghezza dei cavi DMX è elevata.

Il terminatore DMX è un connettore XLR con un resistore da 120Ω (ohm), 1/4 Watt collegato attraverso il segnale (-) e il segnale (+), rispettivamente, i pin 2 e 3, che viene quindi inserito nella presa di uscita sull'ultimo proiettore nella catena. Le connessioni sono illustrate di seguito.

⚠ Un cavo di segnale DMX standard può trasmettere segnali a 20 unità al massimo. E' necessario un amplificatore di segnale per collegare più apparecchi.

5.5. Cavi DMX 3-Poli/5-Poli

I protocolli di connessione DMX utilizzati dai produttori di centraline, teste mobile e fari non sono standardizzati in tutto il mondo. Tuttavia, due sono gli standard più comuni: XLR a 5 poli e sistema XLR a 3 poli. Se si desidera collegare questo proiettore a un dispositivo di ingresso XLR a 5 poli è necessario utilizzare un cavo adattatore o farlo da soli seguendo la corrispondenza di cablaggio tra gli standard di spina e presa a 3 e 5 poli



6 - FUNZIONAMENTO DEI MENU

Premendo il tasto MENU, il display scorrerà attraverso 12 menù diversi. Premere il tasto ENTER per accedere al menu corrispondente, premere SU o GIÙ per modificare

il valore del parametro corrente. Quindi, premere nuovamente il pulsante ENTER per salvare il valore corrente.

No.	Menu	Funzione
1	d001-d512	Modalità DMX a 4 canali. Regola l'indirizzo DMX512 da 001 a 512.
2	A001-A512	Modalità DMX a 8 canali. Regola l'indirizzo DMX512 da 001 a 512.
3	r000-r255	Regolazione Dimmer del Bianco Caldo 1 da buio a massima intensità.
4	g000-g255	Regolazione Dimmer del Bianco Puro 1 da buio a massima intensità.
5	b000-b255	Regolazione Dimmer del Bianco Caldo 2 da buio a massima intensità.
6	u000-u255	Regolazione Dimmer del Bianco Puro 2 da buio a massima intensità.
7	FH01-FH99	Effetto Strobo da lento a veloce.
8	CL01-CL12	Selezione Manuale dei colori
9	CC01-CC99	Effetto Jump da lento a veloce
10	dE00-dE99	Effetto Graduale da lento a veloce
11	CP00-CP99	Effetto Impulsivo da lento a veloce
12	SOU1-SOU9	Modalità Sonora: sensibilità del microfono da minima a massima

6.1. Impostazione dell'indirizzo DMX.

Quando si seleziona l'indirizzo DMX ci si riferisce sempre a quello iniziale e occorre considerare il numero di canali DMX che occupa il proiettore. Se si sceglie un indirizzo iniziale troppo alto, è probabile che si limiti l'accesso ad alcuni dei canali del faro. Lightblaster 200 utilizza 4 o 8 canali DMX (in base alla modalità DMX scelta), che definiscono, rispettivamente, il più alto indirizzo configurabile a 509 o 505 per controllare tutti i canali possibili.

Impostare l'indirizzo DMX iniziale tra 001 - 509 per controllare fino a 128 abbagliatori in modalità a 4 canali. Impostare l'indirizzo DMX iniziale tra 001 - 505 per controllare fino a 64 abbagliatori in modalità a 8 canali.

6.2. Assegnazioni e valori dei canali DMX

Quando si utilizza il controllo DMX, il sistema richiede 4 o 8 canali. Di seguito sono riportate le assegnazioni dei canali per entrambe le modalità.

1) Tabella DMX512 in modalità 11-canali

CH	Funzione	Descrizione
CH1	Dimmer WW1	0-255: Regolazione Dimmer Bianco Caldo 1, da Min. a Max.
CH2	Dimmer PW1	0-255: Regolazione Dimmer Bianco Puro 1, da Min. a Max..
CH3	Dimmer WW2	0-255: Regolazione Dimmer Bianco Caldo 2, da Min. a Max.
CH4	Dimmer PW2	0-255: Regolazione Dimmer Bianco Puro 2, da Min. a Max.

2) Tabella DMX512 in modalità 6-canali

CH	Funzione	Descrizione
CH1	Dimmer	0-255: Regolazione Dimmer Generale, da Min. a Max.
CH2	Dimmer WW1	0-255: Regolazione Dimmer Bianco Caldo 1, da Min. a Max.
CH3	Dimmer PW1	0-255: Regolazione Dimmer Bianco Puro 1, da Min. a Max..
CH4	Dimmer WW2	0-255: Regolazione Dimmer Bianco Caldo 2, da Min. a Max.
CH5	Dimmer PW2	0-255: Regolazione Dimmer Bianco Puro 2, da Min. a Max.
CH6	Strobo	0-255: Regolazione Strobo da lento a veloce
CH7	Selezione Funzioni	000-050: Dimmer 051-100: Selezione Colori 101-150: Effetto Jump 151-200: Effetto Graduale 201-250 Effetto Impulsivo 251-255 Modalità Sonora
CH8	Regolazione Funzioni	Quando il CH7 è fra 51 e 250, regola la velocità da lento a veloce. Quando il CH7 è fra 251 e 255, attiva la modalità Sound e regola la sensibilità del microfono.

6.3. Modalità Master/Slave

Nel caso in cui sia necessario controllare più Lightblaster 200 simultaneamente (tutti gli apparecchi funzionano esattamente allo stesso modo) senza l'uso di un controller DMX, è possibile utilizzare la funzione master/slave. Non esiste alcuna funzione specifica da attivare sul display, semplicemente l'unità master deve essere collegata per prima; tutte le altre vanno collegate in cascata attraverso le connessioni DMX IN-OUT. Tutte le unità (master e slave) devono essere sullo stesso canale DMX e avere la stessa modalità DMX attiva (tutti 4CH o 8CH).

7 - TABELLA DEI LUX

Distanza	1m	3m	5m
Luminanza	14580 Lux	1555 Lux	578 Lux
Diametro	230 cm	346 cm	577 cm

Nota: Angolo di Apertura a 80°; Bianchi a 3000K e 6500K combinati

8 - RISOLUZIONE DEI PROBLEMI

Problema	Probabile Causa(e)	Rimedio
Nessuna risposta dal dispositivo quando si applica l'alimentazione.	Nessuna alimentazione al proiettore.	Controllare il cavo di alimentazione.
		Controllare la spina
Il proiettore non si accende correttamente.	Problema elettrico interno.	Contattare il Servizio di Assistenza.*

Nessuna luce o il LED si funziona a intermittenza o si brucia troppo velocemente.	LED disconnesso or bruciato.	Scollegare il proiettore e sostituire il LED.
	Il proiettore o il LED sono molto caldi.	Fate raffreddare il proiettore. Se il problema persiste, contattate il servizio assistenza.*
L'apparecchio si accende ma non risponde correttamente alla centralina DMX	Centralina non collegata.	Collegare la centralina.
	Canali DMX errati	Controllare i canali DMX sul proiettore e sulla centralina.
	Errore di trasmissione dei dati.	Controllate che i cavi siano collegati correttamente e che siano integri.
	Conflitto fra controllo nella scena e impostazioni DMX di controllo della centralina.	Eliminare conflitti tra scene, cross-fade e altri controlli assegnati dalla centralina al canale DMX.
	Connessione DMX con terminata.	Inserire un terminatore in uscita all'ultimo proiettore nella catena. **
	Proiettore difettoso tra 2 unità impostate in modo non corretto nella catena.	Bypassate tutti i fari uno alla volta, finché il problema non scompare. Per bypassare, basta scollegare i cavi DMX in ingresso e uscita dall'unità e collegarli fra di loro.

* Per contattare il Servizio Assistenza Centolight, consultare il paragrafo "" a pagina 29 o visitate il sito www.centolight.com

** Per istruzione su come installare un terminatore DMX, vedere "5.4. Terminatore DMX" a pagina 25.

9 - SPECIFICHE TECNICHE

Sorgente Luminosa	2 Led COB da 100W
Sistema di Colori	Bianco Caldo / Puro, miscelabili
Durata dei Led	Oltre 50.000 ore
CCT	3000K + 6500K
Flusso luminoso	14580 Lux @ 1m, 1555 Lux @ 3m, 578 Lux @ 5m
CRI	RA≥80
Frequenza di controllo Dimmer	Flicker Free
Angolo lente	80°
Strobo	1-10t/s
Modalità operative	DMX, Master/Slave, Manuale, Sound, Auto
Modalità DMX512	8CH, 4CH
Tasso IP	IP22
DMX in/out	XLR a 3-pin
Connettori di Alimentazione	Powercon In/Out
Tensione	110V ~ 240V, 50-60Hz
Consumo energetico	250W max.
Fusibile	5AL - 250V (5x20mm)
Temperatura di Lavoro	-20 ÷ 40°C (-4 ÷ 104°F)
Struttura Esterna	Acciaio
Dimensione del dispositivo	385 x 175 x 205 mm - 15,1 x 6,9 x 8,1 in
Peso del dispositivo	4,5 kg - 9,9 libbre.
Dimensione del Faro	430 x 280 x 260 mm - 16,9 x 11,0 x 12,2 in
Peso Lordo	5,5 kg - 12,1 libbre

Nota: i nostri prodotti sono soggetti a un processo di sviluppo continuo. Pertanto le modifiche alle caratteristiche tecniche restano soggette a modifiche senza preavviso.

10 - GARANZIA E ASSISTENZA

Tutti i prodotti Centolight sono coperti da garanzia di due anni. Essa è valida dalla data di acquisto, come indicato dal documento di acquisto. I seguenti casi/componenti non sono coperti dalla garanzia di cui sopra:

- Tutti gli accessori forniti con il prodotto
- Uso improprio
- Guasto dovuto all'usura
- Ogni modifica del prodotto effettuata dall'utente o da terzi

Centolight soddisfa gli obblighi di garanzia dovuti a eventuali materiali non conformi o difetti di fabbricazione, rimediando gratuitamente e a discrezione di Centolight, sia mediante riparazione o sostituendo singole parti o l'intero apparecchio. Eventuali parti difettose rimosse da un prodotto durante il corso di una richiesta di garanzia diventano di proprietà di Centolight.

Durante il periodo di garanzia, i prodotti difettosi possono essere restituiti al rivenditore Centolight con prova di acquisto originale. Per evitare danni durante il trasporto, si prega di utilizzare l'imballo originale (se disponibile). In alternativa, inviare il prodotto a SERVICE CENTER Centolight - Via Enzo Ferrari, 10 - 62017 Porto Recanati - Italia. Per inviare un prodotto al centro di assistenza è necessario un numero di RMA. Le spese di trasporto devono essere coperte dal proprietario del prodotto.

Per ulteriori informazioni visitate il sito www.centolight.com

11 - AVVISO UE E SEE (NORVEGIA, ISLANDA, LIECHTENSTEIN)



LEGGETE ATTENTAMENTE - Questo simbolo indica che il prodotto non deve essere smaltito con i rifiuti domestici, in base alla direttiva RAEE (2202/96/CE) e legislazione nazionale.

Il prodotto deve essere consegnato a un centro di raccolta differenziata o, in caso di ritiro dell'usato quando si acquista un nuovo prodotto simile, ad un rivenditore autorizzato per il riciclaggio di apparecchiature elettriche ed elettroniche (WEEE).

Un uso improprio di questo tipo di rifiuti può avere un impatto negativo sull'ambiente e sulla salute umana a causa di sostanze potenzialmente pericolose che sono generalmente associate alle apparecchiature elettriche ed elettroniche. Allo stesso tempo, la vostra collaborazione per il corretto smaltimento di questo prodotto contribuirà a un utilizzo efficace delle risorse naturali.

Per ulteriori informazioni sui punti di raccolta delle apparecchiature da rottamare, contattate il comune, l'autorità di gestione dei rifiuti, strutture coinvolte nel sistema RAEE o il servizio di smaltimento dei rifiuti domestici.



www.centolight.com



This product is imported in EU by
Questo prodotto viene importato nella UE da

FRENEXPORT SPA - Via Enzo Ferrari, 10 - 62017 Porto Recanati - Italy

Centolight® is a registered trademark of FRENEXPORT SPA - Italy
Centolight® è un marchio di fabbrica registrato di FRENEXPORT SPA - Italia



www.centolight.com