



## SCENIC 100W WW-CW

1x100W COB Warm White + Pure White LED Studio Projector

Proiettore da Studio con 1x LED COB da 100W Bianco Caldo + Puro

# User Manual

# Manuale Utente

Carefully read this manual and properly take care of it  
Leggete questo manuale e conservatelo per future consultazioni



Dear customer,

First of all thanks for purchasing a CENTOLIGHT® product. Our mission is to satisfy all possible needs of light designers and professionals of entertainment lighting, by offering a wide range of products based on the latest technologies.

We hope you will be satisfied with this fixture and, if you want to collaborate, we are looking for a feedback from you about product operation and possible improvements to be introduced in the next future. Go to our website [www.centolight.com](http://www.centolight.com) and send an e-mail with your opinion; this will help us to build equipment ever closer to professional's real requirements.

The CENTOLIGHT Team

---

Gentile Cliente,

Grazie per aver scelto un prodotto CENTOLIGHT®. La nostra missione è quella di soddisfare ogni possibile richiesta da parte di light designers e professionisti dell'illuminotecnica per l'intrattenimento, offrendo una vasta gamma di apparecchiature basate su tecnologie di ultima generazione.

Speriamo di aver soddisfatto le vostre aspettative e, se voleste collaborare, saremmo lieti di ricevere un vostro feedback sulla qualità del prodotto al fine di migliorare costantemente la nostra produzione. Visitate il nostro sito [www.centolight.com](http://www.centolight.com) ed inviateci una mail con la vostra opinione; questo ci aiuterà a sviluppare nuovi prodotti quanto più vicini alle vostre esigenze.

Il Team CENTOLIGHT

# TABLE OF CONTENTS

<b>1 - Before You Begin</b>	<b>4</b>
1.1. What is included- - - - -	4
1.2. Unpacking Instructions - - - - -	4
1.3. Accessories - - - - -	4
1.4. Disclaimer - - - - -	5
<b>2 - Safety Instructions</b>	<b>5</b>
2.1. Symbols Meaning - - - - -	5
<b>3 - MOUNTING AND RIGGING</b>	<b>6</b>
3.1. Rigging - - - - -	6
3.2. Water / Moisture - - - - -	7
3.3. Heat - - - - -	7
3.4. Servicing - - - - -	7
<b>4 - Introduction</b>	<b>7</b>
4.1. Features - - - - -	8
4.2. Product Overview - - - - -	8
4.3. Product Dimensions- - - - -	8
<b>5 - Product Setup</b>	<b>9</b>
5.1. Rear Panel Description- - - - -	9
5.2. DMX Terminator - - - - -	11
5.3. 3-Pin vs 5-Pin DMX cables - - - - -	11
<b>6 - Menu Operation</b>	<b>11</b>
6.1. Set DMX Address - - - - -	12
6.2. DMX Channel Assignments and Values - - - - -	12
6.3. Pure/Warm White Mix Manual Adjusting - - - - -	13
6.4. Strobe Effect - - - - -	13
6.5. Fan Speed Control - - - - -	14
6.6. Dimmer Curves - - - - -	14
6.7. Master/Slave Mode - - - - -	15
<b>7 - Troubleshooting</b>	<b>15</b>
<b>8 - Specification</b>	<b>16</b>
<b>9 - Declaration of Conformity</b>	<b>17</b>
<b>10 - Warranty And Service</b>	<b>18</b>
<b>11 - Warning</b>	<b>18</b>

## 1 - BEFORE YOU BEGIN

Thank you for purchasing SCENIC 100W WW-CW. Enjoy your new equipment and make sure to read this manual carefully before operation! This user manual is made to provide both an overview of controls, as well as information on how to use them.

### 1.1. What is included

Package include:

- 1x CENTOLIGHT SCENIC 100W WW-CW PAR light
- 1X 2m DMX Cable (3-pin XLR-M to 3-pin XLR-F)
- 1x Barndoor
- This User Manual

**⚠ ATTENTION: Packaging bag is not a toy! Keep out of reach of children!!! Keep in a safe place the original packaging material for future use.**

### 1.2. Unpacking Instructions

Carefully unpack the product immediately and check the content to make sure all the parts are in the package and are in good condition.

If the box or the contents (the product and included accessories) appear damaged from shipping, or show signs of mishandling, notify the carrier or dealer/seller immediately. In addition, keep the box and contents for inspection.

If the fixture must be returned to the manufacturer, it is important that it is returned in the original manufacturer box and packing. Please do not take any action without first contacting your dealer or getting in touch with our after-sales support service (visit [www.centolight.com](http://www.centolight.com) for details).

### 1.3. Accessories

CENTOLIGHT can supply a wide range of quality accessories that you can use with your SCENIC Series equipment, like Consumables, Cables, Splitters, DMX controllers, and a wide range of other fixtures.

All products in our catalogue has been long tested with this device, so we recommend you to use Genuine CENTOLIGHT Accessories and Parts.

Ask your CENTOLIGHT dealer or check out our website [www.centolight.com](http://www.centolight.com) for any accessories you could need to ensure best performance of the product.

## 14. Disclaimer

The information and specifications contained in this User Manual are subject to change without notice. CENTOLIGHT assumes no responsibility or liability for any errors or omissions and reserves the right to revise or to create this manual at any time.

Copyright© 2021 CENTOLIGHT. All rights reserved.

## 2 - SAFETY INSTRUCTIONS

- Read these instructions
- Keep these instructions
- Heed all warning
- Follow all instructions

### 2.1 Symbols Meaning



The symbol is used to indicate that some hazardous live terminals are involved within this apparatus, even under the normal operating conditions, which may be sufficient to constitute the risk of electric shock or death.



The symbol is used to describe important installation or configuration problems. Not following advice and information on how to avoid such problems may lead to product malfunction.



This symbol indicates a protective grounding terminal.

#### WARNING:

Describes precautions that should be observed to prevent the danger of injury or death to the operator.



To protect the environment, please try to recycle packing material and exhausted consumables as much as possible.



This symbol indicates that the fixture is intended to indoor use only. Keep the machine dry and do not expose to rain and moisture.



Don't throw this product away just as general trash, please deal with the product follow the abandon electronic product regulation in your country.

## 3 - MOUNTING AND RIGGING

**⚠ Pay attention to safety! Please respectively consider the EN 60598-2-17 and the national standard during the installation. Only authorized technicians can carry out the installation.**

### 3.1 Rigging

- The installation of the fixture has to be built and constructed in a way that it can hold 10 times the weight for 1 hour without any harming demolition. The installation must always be secured with a secondary safety attachment, e.g. an appropriate catch net. This secondary safety attachment must be constructed in a way that no part of the installation can fall down if the main attachment fails.
- When rigging, de-rigging or servicing the fixture staying in the area below the installation place, on bridges, under high working places and other endangered areas is forbidden. The operator has to make sure that the safety measure and the machine's technical installation is approved by an expert before taking into operation for the first time and after changes before taking into operation another time. He has also to make sure that an expert approves safety measure and the machine's technical installation once a years.

**⚠ IMPORTANT: Overhead rigging requires extensive experience, including (but not limited to) calculating working load limits, installation material being used, and periodic safety inspection of all installation material and the projector. If you lack these qualifications, do not attempt the installation yourself, but instead use a professional structural rigger. Improper installation can result in bodily injury or property loss.**

- If the fixture shall be lowered from the ceiling or high joists, professional trussing systems have to be used. The fixture must never be fixed swinging freely in the room.

**⚠ CAUTION: Use appropriate clamps to rig the fixture on the truss. Make sure that the device is fixed properly! Ensure that the structure (truss) to which you are attaching the fixtures is secure.**

## 3.2. Water / Moisture

- The product is for indoor use. In order to prevent risk of fire or electric shock, do not expose to rain or moisture
- The unit can not be used near water; for example near a bathtub, a kitchen sink, a swimming pool, etc.

## 3.3. Heat

- Do not use in a confined space. Always install the product in a location with adequate ventilation, at least 20in (50 cm) from adjacent surfaces. Be sure that no ventilation slots on the product's housing are blocked.
- The apparatus should be located away from heat sources such as radiators, stoves or other appliances that produce heat.



**Don not use it when maximum ambient temperature is higher than 50°C Work temperature ranges from -20°C to 50°C (-4°F to 122°F).**

## 3.4. Servicing

- Do not implement any servicing other than those means described in the manual. Refer all servicing to qualified service personnel only. The internal components of the equipment must be purchased from the manufacturer. Only use accessories/attachments or parts recommended by the manufacturer.

# 4 - INTRODUCTION

CentoLight SCENIC 100W WW-CW is a compact and lightweight LED PAR for indoor use. The light source features a 100W LED with COB technology, which in addition to increasing heat resistance and cooling area of the chip itself, improves brightness and the emission efficiency.

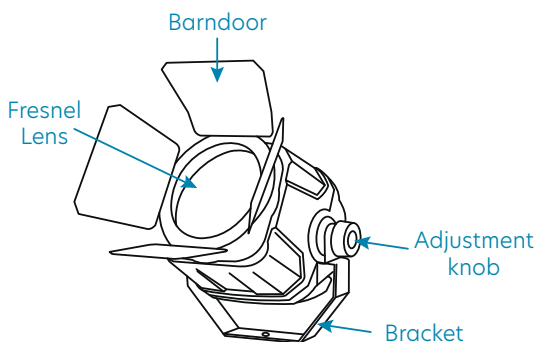
The LED chip is composed of two zones with different color temperatures (50W warm-white; 50W pure-white). The two colors are managed separately (in both manual or DMX modes), so it is possible to mix them and get all possible shades of white.

The fixture comes with Fresnel lens and adjustable barn doors for up to 60° angle. The SCENIC 100W WW-CW features a digital processor, which controls dimming curve and fan speed according to the internal temperature. This increases security, reliability and LED chip lifespan.

## 4.1 Features

- High brightness / long lifespan LED (up to 10500 lux @ 1 meter, full color mode)
- Warm and Pure white mixing (2 independent LED chips)
- Fresnel lens and adjustable Barn-doors for up to 60° angle.
- Fan speed controlled by temperature
- Advanced dimmer system with several curves.
- Extremely lightweight, only 4lbs (1.81kg)

## 4.2 Product Overview

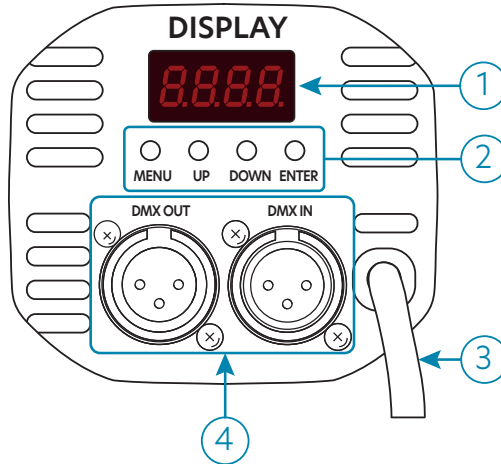


## 4.3 Product Dimensions





## 5 - PRODUCT SETUP



### 5.1 Rear Panel Description

The operation panel includes the LED display and control button operation area.

#### 1) 4 Digit LED Display

It shows the operating mode and other system information.

#### 2) Control Buttons

**MENU Button** - Short-press it to switch the setting pages.

**UP Button** - It scrolls up individual items in the selection menu and sub-menus for system settings (DMX address, Operation Mode, etc.), and increases values/settings of parameters.

**DOWN Button** - It scrolls down individual items in the selection menu and sub-menus for system settings (DMX address, Operation Mode, etc.), and increases values/settings of parameters.

**ENTER Button** - Press ENTER to access menu levels and confirm parameter value changes.

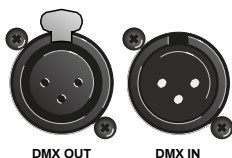
#### 3) Power and Wiring

- Always make sure that the voltage of the outlet to which you are connecting the product is within the range stated in paragraph "8 - Specification" on page 16 or rear panel of the product (AC110V-240V 50/60Hz).

- Make sure the power cord is not crimped or damaged. Never connect this product to a dimmer pack or rheostat.
- Never disconnect the product from power cord by pulling or tugging on the cord.
- To avoid electric shock, all fixtures must be connected to circuits with a suitable ground and circuit breaker.

#### 4) Dmx Connection

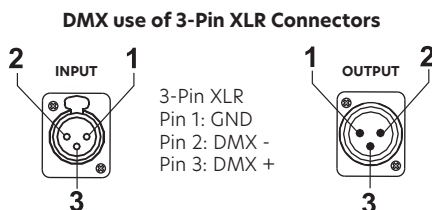
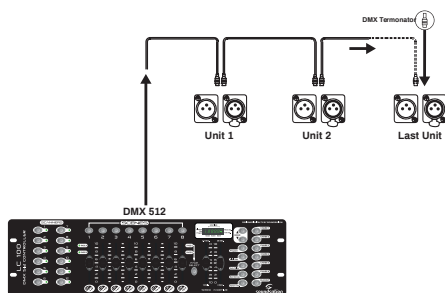
**⚠ When use a DMX controller, please make sure that there is no interference sources (e.g. intercom, high frequency radio waves and radiation source).**



**DMX INPUT** - Male 3-pin a XLR socket for connection to a DMX control device

**DMX OUTPUT** - Female 3-pin XLR socket for sending the DMX control signal to another spark machine or other DMX device.

DMX machines are designed to receive data through a serial Daisy Chain. A Daisy Chain connection is where the DATA OUT of one fixture connects to the DATA IN of the next fixture. The order in which the machines are connected is not important and has no effect on how a controller communicates to each of them. Use an order that provides for the easiest and most direct cabling.



Connect machines using shielded 2-conductor twisted pair cable with 3-pin XLR male to female connectors. The shield connection is pin 1, while pin 2 is Data Negative (S-), and pin 3 is Data positive (S+).

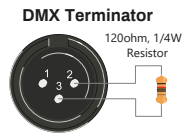
**⚠ CAUTION: Wires must not come into contact with each other, otherwise the fix-**

**tures will not work at all, or will not work properly.**

## 5.2 DMX Terminator

DMX is a resilient communication protocol, however errors still occasionally occur. In order to prevent electrical noise from disturbing and corrupting the DMX control signals, a good habit is to connect DMX output of last fixture in the chain to a DMX terminator, especially over long signal cable runs.

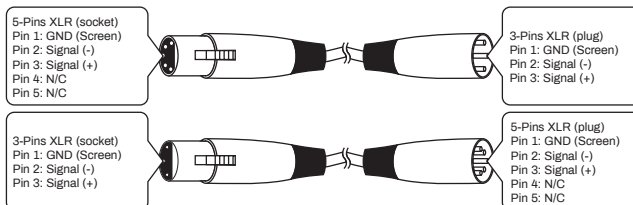
The DMX terminator is simply an XLR connector with a 120Ω (ohm), 1/4 Watt resistor connected across Signal (-) and Signal (+), respectively, pins 2 and 3, which is then plugged into the output socket on last projector in the chain. The connections are illustrated below.



**⚠ Complimentary signal cable can transmits signals to 20 unit fixtures at most. Signal amplifier is a must to connect more fixtures.**

## 5.3 3-Pin vs 5-Pin DMX cables

DMX connection protocols used by controllers and fixtures manufacturers are not standardized around the world. However, two are the most common standards: 5-Pin XLR and 3-Pin XLR system. If you wish to connect this fixture to a 5-Pin XLR input fixture, you need to use an adapter-cable or make it by yourself. Below you can see the wiring correspondence between 3-Pin and 5-Pin plug and socket standards



## 6 - MENU OPERATION

By pressing MENU button, the display will show the main function menu.

No.	Menu	Function
1	d5--	5-channel DMX control mode (need to connect a DMX controller)
2	d.2--	2-channel DMX control mode (need to connect a DMX controller)
3	n---	n000 to n255: Pure White from dark to bright
4	y---	y000 to y255: Warm White from dark to bright
5	F---	F000 to F255: flash speed, from slow to fast
6	T---	on: high temperature with half power function on off: high temperature with half power function off
7	dS--	dr-0: Standard Dimmer Curve
		dr-1: Dimmer Curve1
		dr-2: Dimmer Curve2
		dr-3: Dimmer Curve3
		dr-4: Dimmer Curve4

## 6.1 Set DMX Address

When selecting a starting DMX address, always consider the number of DMX channels. If you choose a starting address that is too high, you could restrict the access to some of the product's channels. SCENIC 100W WW-CW uses 2 DMX channels or 5 DMX channel (according to the DMX mode chosen), which defines the highest configurable address to 511 or 508 to have all channels controllable.

Set the SCENIC 100W WW-CW starting address in the 001 - 508 DMX range to enable control of up to 102 products in the 5-channel control mode. Set the SCNIC 100W WW-CW starting address in the 001 - 511 DMX range to enable control of up to 256 products in the 2-channel control mode.

To change DMX address in case of 5-channel operation, press MENU till you reach "d5--" page and press ENTER; you then see current DMX channel. Press UP or DOWN to select desired value. Then press ENTER to confirm, and press MENU to return to menu main page.

To change DMX address in case of 2-channel operation, press MENU till you reach "d.2--" page and press ENTER; follow same instructions as 5-channel mode.

## 6.2 DMX Channel Assignments and Values

When use DMX control , the system takes 2 or 5 channels (depending on DMX code selected. Below you can see the channel assignments for both modes.

### 1) 5-ch DMX512 Channel Chart

Channel	Function	Specification
CH1	All Dimmer	0-255 RGBW Dimmer, from dark to bright
CH2	PW dimmer	0-255 Pure white, from dark to bright

CH3	WW dimmer	0-255 Warm white, from dark to bright
CH4	Flash	1-255 flash speed, from slow to fast
CH5	Macro function	000-020: Standard Dimmer Curve 021-040: Dimmer Curve1 041-060: Dimmer Curve2 061-080: Dimmer Curve3 081-100: Dimmer Curve4 101-149: No Function 150-155: after 3s, high temperature with half power function off 156-199: No Function 200-205: after 3s, high temperature with half power function on 206-255: No Function

## 2) 2-ch DMX512 Channel Chart

Channel	Function	Description
CH1	PW dimmer	Pure white from dark to bright
CH2	WW dimmer	Warm white from dark to bright

## 6.3. Pure/Warm White Mix Manual Adjusting

CentoLight SCENIC 100W WW-CW features one 100W LED with COB (Chip On Board) technology. This LED is divided in two 50W sections, each at different color temperature: pure-white and warm-white. The intensity of each channel is adjustable from 0 to 255.

### 1) Pure White Adjustment

To set the intensity of pure white, press MENU button until you reach "n---" page. Press ENTER; you see the current value. Then press UP or DOWN to increase or decrease the intensity between 0 and 255. Press ENTER to confirm and menu to go back to the selection of menu pages.

### 2) Warm White Adjustment

To set the intensity of warm white, press MENU button until you reach "Y---" page. Press ENTER; you see the current value. Then press UP or DOWN to increase or decrease the intensity between 0 and 255. Press ENTER to confirm and menu to go back to the selection of menu pages.

## 6.4. Strobe Effect

This PAR allows the user to get the Strobe effect with adjustment of the flash frequency. To adjust the strobe speed, press MENU until you reach the "F ---" page. Press ENTER; you see the current value. Then press UP or DOWN to increase or decrease the intensity between 0 and 255. Press ENTER to confirm and menu to go back to the selection of menu pages.

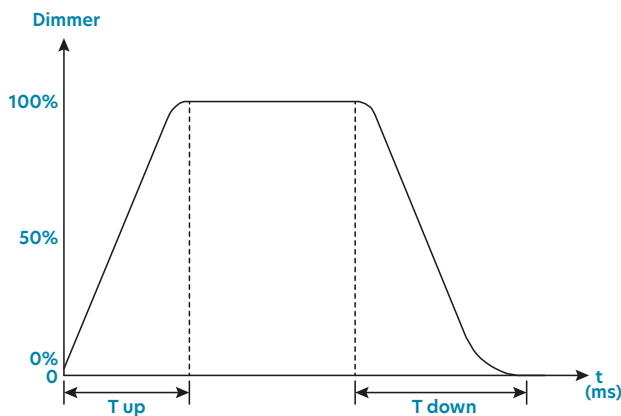
## 6.5 Fan Speed Control

SCENIC 100W WW-CW is equipped with a digital processor that controls fan speed and LED temperature, and can reduce maximum power. When this temperature increases up to 80°C, maximum power consumption reduces to 50%; when decreases to 58°C, max. power consumption returns to 100%.

This function can be activated or deactivated by the user according to the needs. To set it, press MENU until you reach the "T ---" page. Press ENTER; you see the current value. Then press UP or DOWN to choose ON or OFF. Press ENTER to confirm and menu to go back to the selection of menu pages.

## 6.6 Dimmer Curves

SCENIC 100W WW-CW offers 5 dimmer curves (Normal + 4 Curves) with different times for T-up and T-down (see the picture below and the following table). It allows you to adapt the dimmer control to various applications (for example, theater, photo studio, live music, etc.).



To adjust it, press MENU until you reach the "dS--" page. Press ENTER; you see the current value. Then press UP or DOWN to choose between 0 and 4. Press ENTER to confirm and menu to go back to the selection of menu pages.

Ramp Effect	Menu	T-up (ms)	T-down (ms)
Standard Dimmer Curve	dr-0	0	0
Dimmer Curve 1	dr-1	980	1010
Dimmer Curve 2	dr-2	1210	1320
Dimmer Curve 3	dr-3	1600	1710
Dimmer Curve 4	dr-4	1850	1980

## 6.7. Master/Slave Mode

In case you need to control more SCENIC 100W WW-CW simultaneously (all fixtures operate exactly the same way) without the use of a DMX controller, you can use the Master/Slave function. There is no specific function to be activated on the display; simply the master unit must be connected first, all the others in daisy-chain through the DMX IN-OUT connections. All units should be in the same channel mode 5ch or 2ch, and DMX channel has to be the same.

## 7 - TROUBLESHOOTING

Problem	Probable Cause(s)	Remedy
No response from fixture when power is applied	No power to fixture	Check power cables
		Check mains plug
Fixture does not reset correctly	Electronic failure	Contact service technician*
No light, LED cuts out intermittently, or burns out too quickly	LED missing or blown	Disconnect fixture and replace the LED
	Fixture or LED is too hot	Allow fixture to cool. If problem persists, contact service technician*
Fixture resets but does not respond correctly to controller (DMX mode operation)	Controller not connected	Connect controller
	Incorrect addressing of the fixtures	Check address setting on fixture and controller
	Bad data link connection	Inspect cables and correct poor connections and/or broken cables.
	Conflict between tracking and vector control	Eliminate scene cross-fade on controller
	Data link not terminated	Insert termination plug in output of last fixture**
	Defective fixture or 2 devices transmitting on link	Bypass fixtures one at a time until normal operation is regained: unplug both connectors and connect them directly together

\* To contact Centolight service, see "10 - Warranty And Service" on page 18 or visit [www.centolight.com](http://www.centolight.com)

\*\* For instruction on how to install a DMX terminator, see "5.2. DMX Terminator" on page 11.

## 8 - SPECIFICATION

Light source	100W COB LED
Color	50W Warm-White (3200°K) + 50W Pure White (6500°K)
Optical System	60° Fresnel lens with adjustable barn-doors
Lux@ 1m	10500 (full color); 5700 (cool white); 5000 (warm white)
Lux@ 2m	2680 (full color); 1400 (cool white); 1300 (warm white)
Control mode	DMX512 5CH/2CH
Master/slave modes	Yes
Manual Control	Yes
Fan Operation	Fan stops if the LED temperature is at 40 °C (104°F) Fan in action with threshold at 58 ~ 60 °C (136 ~ 140°F)
Fan Noise	0dB (under 58°C - 136°F) 44.0 dBA @ 0.5m (above 58°C - 136°F) 46.1 dBA close to fixture (above 58°C - 136°F)
IP Rate	IP20
Working Temperature	-20°C to 50°C (-4°F to 122°F)
Housing	ABS
Voltage	110V-240V / 50-60Hz
Power Consumption	120W
Fixture Size (LxHxD)	150 x 195 x 220 mm (5.91 x 7.68 x 8.66 in)
Fixture Weight	1,81 kg (4.00 lbs.)
Carton Size (LxHxD)	245 x 195 x 290 mm (9.64 x 7.68 x 11.42 in)
Carton Weight	2,45 kg (5.40 lbs.)

*Note: Our products are subject to a process of continual further development. Therefore modifications to the technical features remain subject to change without further notice.*



## 9 - DECLARATION OF CONFORMITY

V1.0-Mar21



### Importazione e Distribuzione Strumenti Musicali e Accessori

Via Enzo Ferrari, 10  
62017 Porto Recanati - Italy  
Tel: +39 071 7595011 Fax: +39 071 7595099  
info@frenexport.it - www.frenexport.it

P.IVA E C.F. IT00260710439  
Banca BANCA DELLE MARCHE spa  
IBAN IT84 M060 5569 1310 0000 0001 952

TO: whom it may concer

### EU DECLARATION OF CONFORMITY

We, FRENEXPOR SPA,  
of Via Enzo Ferrari, 10 – 62017 Porto Recanati (MC) Italy

Declare under our sole responsibility that following products:

Models: CENTOLIGHT SCENIC 100W WW-CW

Description: LED PAR

conform to the essential requirements of:

- European Low Voltage Directive 2014/35/EU
- European EMC Directive 2014/30/EU

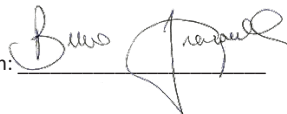
comply with the following standards:

- EN60598-2-17:1989+A2:1991
- EN60598-1:2015
- EN62031:2008+A1:2013+A2:2015
- EN62471:2008
- EN55015:2013
- EN61000-3-2:2014
- EN61000-3-3:2013
- EN61547:2009

conform to RoHS directive 2017/2102/EU and related amendments.

Porto Recanati, 25/03/2021

Position: \_\_\_\_\_



## 10 - WARRANTY AND SERVICE

All CENTOLIGHT products feature a limited two-year warranty. This two-year warranty starts from the date of purchase, as shown on your purchase receipt. The following cases/components are not covered by this warranty:

- Any accessories supplied with the product
- Improper use
- Fault due to wear and tear
- Any modification of the product effected by the user or a third party

CENTOLIGHT shall satisfy the warranty obligations by remedying any material or manufacturing faults free of charge at CENTOLIGHT's discretion either by repairing or exchanging individual parts or the entire appliance. Any defective parts removed from a product during the course of a warranty claim shall become the property of CENTOLIGHT.

While under warranty, defective products may be returned to your local CENTOLIGHT dealer together with the original proof of purchase. To avoid any damages in transit, please use the original packaging if available. Alternatively, you can send the product to CENTOLIGHT SERVICE CENTER - Via Enzo Ferrari, 10 - 62017 Porto Recanati - Italy. In order to send a product to service center, you need an RMA number. Shipping charges have to be covered by the owner of the product.

For further information please visit [www.centolight.com](http://www.centolight.com)

## 11 - WARNING

**PLEASE READ CAREFULLY** - EU and EEA (Norway, Iceland and Liechtenstein) only



This symbol indicates that this product is not to be disposed of with your household waste, according to the WEEE Directive (2012/19/UE) and your national law.



This product should be handed over to a designated collection point, e.g., on an authorized one-for-one basis when you buy a new similar product or to an authorized collection site for recycling waste electrical and electronic equipment (WEEE).

Improper handling of this type of waste could have a possible negative impact on the environment and human health due to potentially hazardous substances that are generally associated with EEE. At the same time, your cooperation in the correct disposal of this product will contribute to the effective usage of natural resources.

For more information about where you can drop off your waste equipment for recycling, please contact your local city office, waste authority, approved WEEE scheme or your household waste disposal service.

## SOMMARIO

<b>1 -</b>	<b>Prima Di Iniziare</b>	<b>20</b>
1.1.	Cosa è Incluso	20
1.2.	Istruzioni per il Disimballaggio	20
1.3.	Accessori	20
1.4.	Limiti di Responsabilità	21
<b>2 -</b>	<b>Istruzioni di Sicurezza</b>	<b>21</b>
2.1.	Significato dei simboli	21
<b>3 -</b>	<b>Montaggio e Appendamento</b>	<b>22</b>
3.1.	Installazione Sospesa	22
3.2.	Acqua / umidità	22
3.3.	Calore	23
3.4.	Manutenzione	23
<b>4 -</b>	<b>Introduzione</b>	<b>23</b>
4.1.	Caratteristiche	23
4.2.	Panoramica del Prodotto	24
4.3.	Dimensioni del Prodotto	24
<b>5 -</b>	<b>Setup del prodotto</b>	<b>25</b>
5.1.	Descrizione del pannello posteriore	25
5.2.	Connessioni DMX	26
5.3.	Terminatore DMX	27
5.4.	Cavi DMX 3-Poli/5-Poli	27
<b>6 -</b>	<b>Funzionamento dei Menu</b>	<b>27</b>
6.1.	Impostazione dell'indirizzo DMX	28
6.2.	Assegnazioni e valori dei canali DMX	28
6.3.	Regolazione Manuale del Mix Bianco Puro/Caldo	29
6.4.	Effetto Strobe	29
6.5.	Controllo della velocità della ventola	30
6.6.	Curve dimmer	30
6.7.	Modalità Master / Slave	31
<b>7 -</b>	<b>Risoluzione dei Problemi</b>	<b>31</b>
<b>8 -</b>	<b>Specifiche Tecniche</b>	<b>32</b>
<b>9 -</b>	<b>Dichiarazione di Conformità</b>	<b>33</b>
<b>10 -</b>	<b>Garanzia e Assistenza</b>	<b>34</b>
<b>11 -</b>	<b>Avviso UE e SEE (Norvegia, Islanda, Liechtenstein)</b>	<b>34</b>

## 1 - PRIMA DI INIZIARE

Grazie per aver acquistato il faro SCENIC 100W WW-CW. Prima di iniziare, assicuratevi di leggere attentamente questo manuale! Esso utente è stato creato per fornire sia una panoramica dei controlli, sia informazioni su come usarli.

### 1.1. Cosa è Incluso

La confezione include:

- 1x faro CENTOLIGHT SCENIC 100W WW-CW
- 1X Cavo DMX da 2m (3-pin XLR-Maschio a 3-pin XLR-Femmina)
- 1x Ribalta a 4 pale richiudibili
- Questo Manuale d'uso

**⚠ ATTENZIONE:** La confezione non è un giocattolo! Tenere fuori dalla portata dei bambini! Conservare in un luogo sicuro il materiale di imballaggio originale.

### 1.2. Istruzioni per il Disimballaggio

Tirare fuori dall'imballo il prodotto con attenzione e controllare il cartone per assicurarsi che tutte le parti siano nella confezione e siano in buone condizioni.

Se la confezione o il contenuto (il prodotto e gli accessori inclusi) risultano danneggiati dalla spedizione o mostrano segni di maltrattamento, avvisare immediatamente il vettore o il rivenditore. Inoltre, conservare la scatola e il contenuto per una eventuale ispezione.

Se l'apparecchiatura dovesse essere restituita al produttore, è importante che venga riportata o spedita nell'imballo originale del produttore. Si prega di non intraprendere alcuna azione senza prima contattare il proprio rivenditore o aver contattato il nostro servizio di assistenza post-vendita (visitare [www.centolight.com](http://www.centolight.com) per i dettagli).

### 1.3. Accessori

CENTOLIGHT fornisce un'ampia gamma di accessori di qualità che è possibile utilizzare con le apparecchiature della serie SCENIC, come materiali di consumo, cavi, splitter, controller DMX e un'ampia gamma di altri dispositivi.

Tutti i prodotti nel nostro catalogo sono stati testati a lungo con questo dispositivo, quindi ti consigliamo di utilizzare accessori e ricambi originali CENTOLIGHT.

Chiedete al vostro rivenditore CENTOLIGHT o visitate il nostro sito web [www.centolight.com](http://www.centolight.com) per eventuali accessori di cui potreste aver bisogno per garantire le migliori prestazioni al vostro prodotto.

## 14. Limiti di Responsabilità

Le informazioni e le specifiche contenute in questo manuale utente sono soggette a modifiche senza preavviso. CENTOLIGHT non si assume alcuna responsabilità per eventuali errori od omissioni e si riserva il diritto di rivedere o creare questo manuale in qualsiasi momento.

Copyright© 2021 CENTOLIGHT. Tutti i diritti riservati.

## 2 - ISTRUZIONI DI SICUREZZA

- Leggete queste istruzioni
- Conservate queste istruzioni
- Prestate attenzione a tutti gli avvertimenti
- Seguite tutte le istruzioni

### 2.1. Significato dei simboli



Questo simbolo viene utilizzato per indicare che all'interno di questo apparecchio sono presenti terminali sotto tensione, anche in condizioni operative normali, che possono essere sufficienti a costituire il rischio di scosse elettriche o morte.



Questo simbolo è usato per descrivere importanti problemi di installazione o configurazione. Il mancato rispetto dei consigli e delle informazioni su come evitare tali problemi può portare al malfunzionamento del prodotto.



Questo simbolo indica un terminale di messa a terra.

#### ATTENZIONE

Descrive precauzioni da osservare per prevenire lesioni o morte dell'operatore.



Per proteggere l'ambiente, cercare di riciclare il più possibile il materiale di imballaggio e i materiali di consumo esauriti



Questo simbolo indica che il dispositivo può essere usato solo all'interno. Tenere asciutto il faro e non esporre a pioggia e umidità



Non gettare questo prodotto come spazzatura generica, conferire il prodotto seguendo le normative sui rifiuti elettronici in vigore nel vostro paese.

## 3 - MONTAGGIO E APPENDIMENTO

**⚠ Prestare attenzione alla sicurezza! Si prega di fare sempre riferimento alla direttiva EN 60598-2-17 e agli standard nazionali in fase di installazione. Solo personale autorizzato può eseguire l'installazione.**

### 3.1 Installazione Sospesa

- L'installazione del dispositivo deve essere progettata e costruita in un modo che possa sopportare 10 volte il peso per 1 ora, senza alcun cedimento o danneggiamento della struttura. L'installazione deve essere sempre protetta con un dispositivo di sicurezza secondario, ad esempio un cavo di sicurezza. Questo dispositivo deve essere realizzato in un modo tale che nessuna parte del prodotto possa cadere se il fissaggio principale cedesse.
- Durante le operazioni di montaggio, smontaggio o manutenzione del faro è vietato consentire lo stazionamento o anche solo il passaggio nell'area sottostante l'installazione. L'operatore deve assicurarsi che l'installazione e i sistemi di sicurezza siano approvati da un esperto prima di avviare per la prima volta il funzionamento dopo aver apportato qualsiasi modifica. Deve inoltre assicurarsi che un esperto approvi nuovamente l'installazione e i dispositivi di sicurezza ogni anno.

**⚠ IMPORTANTE: il montaggio su strutture sospese richiede un'esperienza specifica; tra cui (ma non soltanto) il calcolo dei limiti di carico di lavoro, la scelta del materiale di installazione e l'ispezione periodica del proiettore e dei dispositivi di sicurezza. Se non si dispone di tali qualifiche, è bene non procedere con l'installazione da soli, ma si consiglia di rivolgersi a professionisti specializzati. L'installazione impropria può provocare lesioni personali anche molto gravi.**

- Se il faro deve essere alzato verso / o abbassato dal soffitto o da travi sospese, è consigliabile usare sistemi di tralicci professionali. L'apparecchio non deve mai essere lasciato oscillare liberamente.

**⚠ ATTENZIONE: utilizzare i morsetti appropriati per montare l'apparecchio sul traliccio. Assicurarsi che il dispositivo sia fissato correttamente e che il traliccio stesso sia sicuro.**

### 3.2 Acqua / umidità

- Il prodotto è per uso interno. Al fine di prevenire il rischio di incendio o scosse elettriche, non esporre a pioggia o umidità
- L'unità non può essere utilizzata vicino all'acqua; Ad esempio vicino a una vasca

da bagno, un lavello da cucina, una piscina, ecc.

### 3.3. Calore

- Non usare in uno spazio ristretto. Installare sempre il prodotto in una posizione con un'adeguata ventilazione, almeno 20 pollici (50 cm) da superfici adiacenti. Assicurarsi che nessuna fessura di ventilazione sull'alloggiamento del prodotto sia bloccato.
- L'apparecchio dovrebbe essere situato lontano da fonti di calore come radiatori, stufe o altri apparecchi che producono calore.



**Non usarlo quando la temperatura massima ambientale è superiore a 50 °C. La temperatura ottimale di lavoro va da -20 °C a 50 °C (da -4 °F a 122 °F).**

### 3.4. Manutenzione

- Non effettuare alcuna manutenzione diversa da quelle descritte nel presente manuale. In caso di ulteriori manutenzioni, rivolgersi a personale specializzato. Eventuali componenti interni devono essere acquistati da rivenditori specializzati. Utilizzare solo accessori o parti raccomandate dal produttore.

## 4 - INTRODUZIONE

Centolight SCENIC 100W WW-CW è un PAR a LED compatto e leggero per uso indoor. La sorgente luminosa è costituita da un LED da 100W con tecnologia COB, che oltre ad aumentare la resistenza al calore e l'area di raffreddamento del chip stesso, migliora la luminosità e l'efficienza delle emissioni.

Il chip LED è composto da due zone con diverse temperature di colore (50W Bianco-Puro; 50W Bianco-Caldo). I due colori sono gestiti separatamente in modo manuale o DMX, quindi è possibile mescolarli e ottenere tutte le possibili sfumature di bianco.

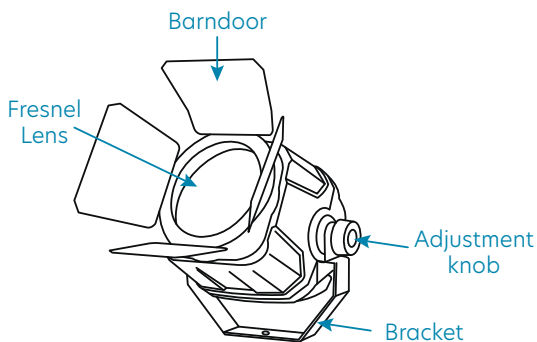
L'apparecchio è dotato di lente Fresnel e ribalte regolabili che permettono di regolare l'apertura del fascio luminoso fino a 60°. Inoltre, esso monta un processore digitale che controlla la curva di dimmer e la velocità della ventola in base alla temperatura interna. Ciò aumenta la sicurezza, l'affidabilità e la durata del chip LED.

### 4.1. Caratteristiche

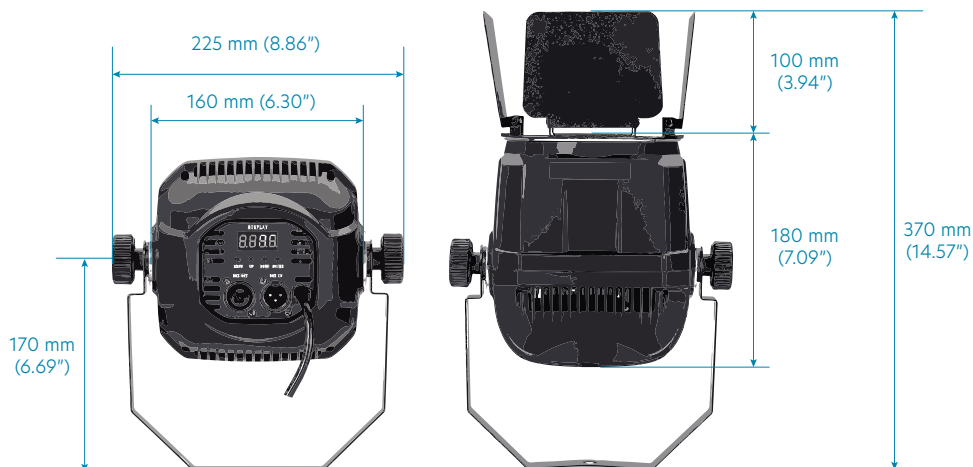
- LED ad alta luminosità / lunga durata (fino a 10500 lux @ 1 metro, in modalità full-color)
- Miscelazione di bianco caldo e freddo (2 chip LED indipendenti)
- Ribaltine orientabili per un angolo di emissione di massimo di 60°.

- Velocità della ventola controllata dalla temperatura
- Sistema dimmer avanzato, con differenti curve.
- Molto leggero (solo 1.8kg)

## 4.2. Panoramica del Prodotto

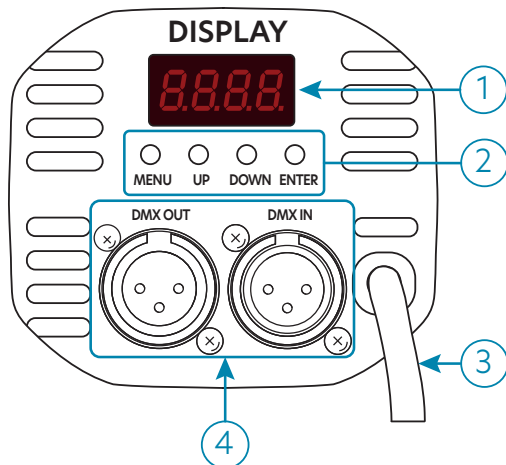


## 4.3. Dimensioni del Prodotto





## 5 - SETUP DEL PRODOTTO



### 5.1 Descrizione del pannello posteriore

Il pannello di controllo include l'area del display a LED e dei tasti di controllo.

#### 1) Display a LED a 4 cifre

Mostra la modalità operativa e altre informazioni di sistema.

#### 2) Tasti di controllo

**Tasto MENU** - Premere ripetutamente per scorrere le varie pagine di impostazione.

**Tasto UP** - Premere per scorrere i vari menu e i parametri dei menu (indirizzo DMX, modalità operativa, ecc.). Aumenta i valori / Impostazioni dei parametri.

**Tasto Giù** - Premere per scorrere i vari menu e i parametri dei menu (indirizzo DMX, modalità operativa, ecc.). Diminuisce i valori / Impostazioni dei parametri.

**Tasto ENTER** - Premere per accedere ai livelli dei menu e confermare le modifiche del valore dei parametri.

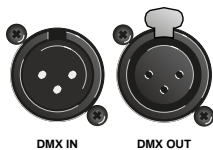
#### 3) Alimentazione e cablaggio

- Assicurarsi sempre che la tensione della presa a cui si collega il prodotto sia nell'intervallo indicato nel paragrafo "8 - Specifiche Tecniche" a pagina 32 (AC110V-240V; 50/60Hz).
- Assicurarsi che il cavo di alimentazione non sia spellato o danneggiato. Non

collegare mai questo prodotto a un Dimmer Pack o un Variatore di Tensione.

- Non scollegare mai il prodotto dal cavo di alimentazione tirando o tirando il cavo.
- Per evitare scosse elettriche, tutti gli apparecchi devono essere collegati a circuiti con interruttore automatico.

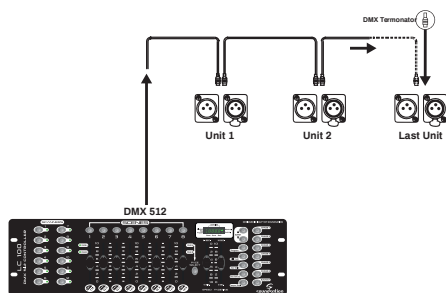
## 5.2. Connessioni DMX



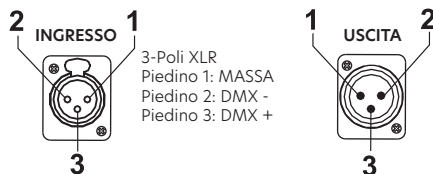
**DMX INPUT** - Presa XLR maschio a 3 pin per il collegamento a un dispositivo di controllo DMX

**DMX OUTPUT** - Presa XLR femmina a 3 pin per inviare il segnale di controllo DMX a un'altra macchina a scintilla o altro dispositivo DMX.

Gli apparecchi DMX sono progettati per ricevere dati attraverso una catena seriale a cascata. Questo tipo di connessione permette di connettere il DMX OUT di un dispositivo al DMX IN del dispositivo successivo. L'ordine in cui i dispositivi sono collegati non è importante e non ha alcun effetto su come un controllore comunica a ciascuna apparecchiatura. Utilizzare un ordine che preveda il cablaggio più semplice e diretto.



### Uso dei 3-Piedini nei Connettori XLR per DMX



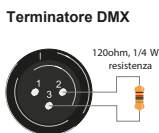
Collegare i dispositivi utilizzando un cavo bipolare schermato a 2 conduttori con connettori XLR maschio-femmina a 3 poli. La connessione dello schermo è il piedino 1, mentre il piedino 2 è negativo (S-) e il piedino 3 è positivo (S+).

**⚠ ATTENZIONE:** 1 fili non devono entrare in contatto l'uno con l'altro; altrimenti i dispositivi non funzioneranno affatto o non funzioneranno correttamente.

## 5.3. Terminatore DMX

DMX è un protocollo di comunicazione resiliente, tuttavia si potrebbero verificare occasionalmente degli errori. I terminatori riducono gli errori di segnale; è quindi consigliabile usarle quando si verificano problemi con comportamenti irregolari degli apparecchi; specialmente se la lunghezza dei cavi DMX è elevata.

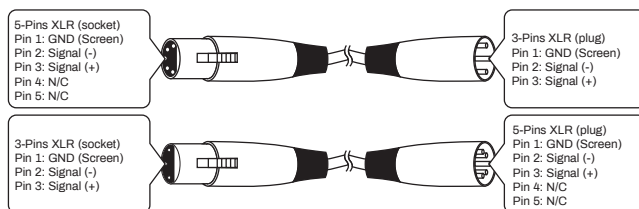
Il terminatore DMX è un connettore XLR con un resistore da 120Ω (ohm), 1/4 Watt collegato attraverso il segnale (-) e il segnale (+), rispettivamente, i pin 2 e 3, che viene quindi inserito nella presa di uscita sull'ultimo proiettore nella catena. Le connessioni sono illustrate di seguito.



**⚠ Un cavo di segnale DMX standard può trasmettere segnali a 20 unità al massimo. E' necessario un amplificatore di segnale per collegare più apparecchi.**

## 5.4. Cavi DMX 3-Poli/5-Poli

I protocolli di connessione DMX utilizzati dai produttori di centraline, teste mobili e fari non sono standardizzati in tutto il mondo. Tuttavia, due sono gli standard più comuni: XLR a 5 poli e sistema XLR a 3 poli. Se si desidera collegare la ZEPHIRO 600 SPARK a un dispositivo di ingresso XLR a 5 poli è necessario utilizzare un cavo adattatore o farlo da soli seguendo la corrispondenza di cablaggio tra gli standard di spina e presa a 3 e 5 poli



## 6 - FUNZIONAMENTO DEI MENU

Premendo il tasto MENU, il display mostrerà il menu principale della funzione.

No.	Menu	Funzione
1	d5--	Modalità DMX a 5 canali (necessaria una centralina DMX)
2	d.2--	Modalità DMX a 2 canali (necessaria una centralina DMX)

3	n---	da n000 a n255: Bianco Puro da buio a luminoso
4	y---	da y000 a y255: Bianco Caldo da buio a luminoso
5	F---	da F000 a F255: velocità flash, da lento a veloce
6	T---	on: potenza dimezzata in caso di temperatura elevata off: potenza NON dimezzata in caso di temperatura elevata
7	dS--	dr-0: Standard Dimmer Curve
		dr-1: Dimmer Curve1
		dr-2: Dimmer Curve2
		dr-3: Dimmer Curve3
		dr-4: Dimmer Curve4

## 6.1 Impostazione dell'indirizzo DMX.

Quando si seleziona l'indirizzo DMX iniziale (quello che poi va inserito nel faro), occorre considerare sempre il numero di canali DMX totali che la modalità di controllo prevede. Se si sceglie un indirizzo iniziale troppo alto, si rischia di limitare l'accesso ad alcuni dei canali DMX del faro. Scenic 100W WW-CW utilizza modalità a 2 canali o 5 canali DMX, che portano l'indirizzo configurabile più alto - rispettivamente - a 511 o 508 per avere tutti i canali controllabili.

Impostare l'indirizzo di partenza SCENIC 100W WW-CW nella gamma 001 - 508 DMX per abilitare il controllo fino a 102 prodotti nella modalità di controllo a 5 canali. Impostare l'indirizzo di partenza SCENIC 100W WW-CW nella gamma 001 - 511 DMX per abilitare il controllo fino a 256 prodotti nella modalità di controllo a 2 canali.

Per modificare l'indirizzo DMX in caso di funzionamento a 5 canali, premere Menu fino a raggiungere la pagina "D5--" e premere ENTER; Quindi vedi il canale DMX corrente. Premere su o giù per selezionare il valore desiderato. Quindi premere INVIO per confermare e premere MENU per tornare al menu principale della pagina.

Per modificare l'indirizzo DMX in caso di funzionamento a 2 canali, premere Menu fino a raggiungere la pagina "D.2--" e premere ENTER; Quindi vedi il canale DMX corrente. Premere su o giù per selezionare il valore desiderato. Quindi premere INVIO per confermare e premere MENU per tornare al menu principale della pagina.

## 6.2 Assegnazioni e valori dei canali DMX

Quando si utilizza il controllo DMX, il sistema richiede 2 o 5 canali. Di seguito è possibile visualizzare le assegnazioni del canale per entrambe le modalità.

### 1) Tabella DMX512 in modalità 5-canali

Canale	Funzione	Descrizione
CH1	Dimmer	0-255 Dimmer RGBW, da buio a luminoso

CH2	Dimmer PW	0-255 Bianco Puro, da buio a luminoso
CH3	Dimmer WW	0-255 Bianco Caldo, da buio a luminoso
CH4	Flash	1-255 Velocità flash, da lento a veloce
CH5	Funzioni Macro	000-020: Curva Dimmer Standard 021-040: Curva Dimmer 1 041-060: Curva Dimmer 2 061-080: Curva Dimmer 3 081-100: Curva Dimmer 4 101-149: Nessuna Funzione 150-155: dopo 3s, la funzione mezza-potenza ad alta temp. è off 156-199: Nessuna Funzione 200-205: dopo 3s, la funzione mezza-potenza ad alta temp. è on 206-255: Nessuna Funzione

## 2) Tabella DMX512 in modalità 2-canali

Canale	Funzione	Descrizione
CH1	Dimmer PW	0-255 Bianco Puro, da buio a luminoso
CH2	Dimmer WW	0-255 Bianco Caldo, da buio a luminoso

## 6.3. Regolazione Manuale del Mix Bianco Puro/Caldo

Centolight SCENIC 100W WW-CW monta un LED da 100W con tecnologia COB (Chip on Board). Questo LED è diviso in due sezioni da 50W, ciascuna con diversa temperatura-colore: bianco puro e bianco caldo. L'intensità di ciascun canale è regolabile da 0 a 255.

### 1) Regolazione del Bianco Puro

Per impostare l'intensità del bianco puro, premere il tasto MENU fino a raggiungere la pagina "n---". Premere ENTER; si vede il valore corrente. Quindi premere UP o DOWN per aumentare o diminuire l'intensità compresa tra 0 e 255. Premere ENTER per confermare e MENU per tornare alla selezione delle pagine del menu.

### 2) Regolazione del Bianco Caldo

Per impostare l'intensità del bianco caldo, premere il tasto MENU fino a raggiungere la pagina "y---". Premere ENTER; si vede il valore corrente. Quindi premere UP o DOWN per aumentare o diminuire l'intensità compresa tra 0 e 255. Premere ENTER per confermare e MENU per tornare alla selezione delle pagine del menu.

## 6.4. Effetto Strobo

Questo PAR consente all'utente di ottenere l'effetto Strobo con la regolazione della velocità del flash. Per regolare la velocità stroboscopica, premere MENU fino a raggiungere la pagina "F---". Premere ENTER; si vede il valore corrente. Quindi premere UP o DOWN per aumentare o diminuire l'intensità compresa tra 0 e 255. Premere ENTER per confermare e MENU per tornare alla selezione delle pagine del menu.

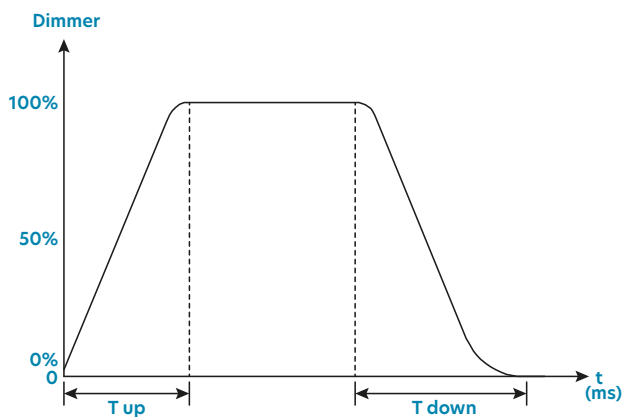
## 6.5. Controllo della velocità della ventola

SCENIC 100W WW-CW è dotato di un processore digitale che controlla la velocità della ventola in base alla temperatura del LED e può ridurre la massima potenza. Quando la temperatura aumenta fino a 80 °C, il massimo consumo energetico si riduce al 50%; quando diminuisce a 58 °C, il consumo energetico ritorna al 100%.

Questa funzione può essere attivata o disattivata dall'utente. Per impostarla, premere MENU fino a raggiungere la pagina "T---". Premere ENTER; si vede il valore corrente. Quindi premere UP o DOWN per attivare o disattivare. Premere INVIO per confermare e MENU per tornare alla selezione delle pagine dei menu.

## 6.6. Curve dimmer

SCENIC 100W WW-CW offre 5 curve di Dimmer (normale + 4 curve) con tempi diversi per T-Up e T-Down (vedere l'immagine qui sotto e la successiva tabella). Queste consentono di adattare il controllo del dimmer a varie applicazioni (ad esempio, teatro, studio fotografico, musica dal vivo, ecc.).



Per selezionare le curve, premere MENU fino a raggiungere la pagina "dS--". Premere ENTER; si vede il valore corrente. Quindi premere UP o DOWN per scegliere tra 0 e 4. Premere INVIO per confermare e MENU per tornare alla selezione delle pagine del menu.

Curva	Menu	T-up (ms)	T-down (ms)
Curva Dimmer Standard	dr-0	0	0
Dimmer Curve 1	dr-1	980	1010
Dimmer Curve 2	dr-2	1210	1320
Dimmer Curve 3	dr-3	1600	1710
Dimmer Curve 4	dr-4	1850	1980

## 6.7. Modalità Master / Slave

Nel caso in cui sia necessario controllare più SCENIC 100W WW-CW simultaneamente (tutti gli apparecchi funzionano esattamente allo stesso modo) senza l'uso di un controller DMX, è possibile utilizzare la funzione master/slave. Non esiste alcuna funzione specifica da attivare sul display, semplicemente l'unità master deve essere collegata per prima; tutte le altre vanno collegate in cascata attraverso le connessioni DMX IN-OUT. Tutte le unità dovrebbero essere nella stessa modalità DMX a 5-Canali o 2-Canali e il primo canale DMX deve essere lo stesso.

## 7 - RISOLUZIONE DEI PROBLEMI

Problema	Probabile Causa(e)	Rimedio
Nessuna risposta dal dispositivo quando si applica l'alimentazione.	Nessuna alimentazione al faro.	Controllare il cavo di alimentazione.
		Controllare la spina
Il faro non si accende correttamente.	Problema elettrico interno.	Contattare il Servizio di Assistenza.*
Nessuna luce o il LED si funziona a intermittenza o si brucia troppo velocemente.	LED disconnesso or bruciato.	Scollegare il faro e sostituire il LED.
	Il faro o il LED sono molto caldi.	Fate raffreddare il faro. Se il problema persiste, contattate il servizio assistenza.*
L'apparecchio si accende ma non risponde correttamente alla centralina DMX	Centralina ono collegata.	Collegare la centralina.
	Canali DMX errati	Controllare i canali DMX sul faro e sulla centralina.
	Errore di trasmissione dei dati.	Controllate che i cavi siano collegati correttamente e che siano integri.
	Conflitto fra controllo nella scena e impostazioni DMX di controllo della centralina.	Eliminare conflitti tra scene, cross-fade e altri controlli assegnati dalla centralina al canale DMX.
	Connessione DMX con terminata.	Inserire un terminatore in uscita all'ultimo faro nella catena. **
	Faro difettoso o 2 unità impostate in modo non corretto nella catena.	Bypassate tutti i fari uno alla volta, finché il problema non scompare. Per bypassare, basta scollegare i cavi DMX in ingresso e uscita dall'unità e collegarli fra di loro.

\* Per contattare il Servizio Assistenza Centolight, consultare il paragrafo "10 - Garanzia e Assistenza" a pagina 34 o visitate il sito [www.centolight.com](http://www.centolight.com)

\*\* Per istruzione su come installare un terminatore DMX, vedere "5.3. Terminatore DMX" a pagina 27.

## 8 - SPECIFICHE TECNICHE

Sorgente Luminosa	LED da 100W COB
Colore	50W Bianco Freddo (3200°K) + 50W Bianco-Puro (6500°K)
Sistema Ottico	Lente Fresnel da 60° con ribalche richiudibili
Lux @ 1m	10500 (full color); 5700 (bianco puro); 5000 (bianco caldo)
Lux @ 2m	2680 (full color); 1400 (bianco puro); 1300 (bianco caldo)
Modalità di Controllo DMX	DMX512 5CH/2CH
Modalità Master/Slave	Sì
Controllo Manuale	Sì
Funzionamento Ventola	Ventola ferma se la temperatura del LED è a 40°C (104°F) Ventola in azione con soglia a 58~60°C (136 ~ 140°F)
Rumore Ventola	0dB (sotto 58°C - 136°F); 44.0 dBA @ 0.5m (sopra 58°C - 136°F) 46.1 dBA vicino al faro (sopra 58°C - 136°F)
Grado di Protezione IP	IP20
Temperatura di Lavoro	-20°C a 50°C (-4°F a 122°F)
Struttura Faro	ABS
Alimentazione	110V-240V / 50-60Hz
Consumo in Potenza	120W
Dimensioni Faro (LxPxA)	150 x 195 x 220 mm (5.91 x 7.68 x 8.66 in)
Peso Faro (incluso staffa)	1,81 kg (4.00 lbs.)
Dimensioni Imballo (LxPxA)	245 x 195 x 290 mm (9.64 x 7.68 x 11.42 in)
Peso Imballo	2,45 kg (5.40 lbs.)

*Nota: i nostri prodotti sono soggetti a un processo di sviluppo continuo. Pertanto le modifiche alle caratteristiche tecniche restano soggette a modifiche senza preavviso.*



## 9 - DICHIARAZIONE DI CONFORMITÀ

V1.0-Mar21



**Importazione e Distribuzione Strumenti Musicali e Accessori**

Via Enzo Ferrari, 10  
62017 Porto Recanati - Italy  
Tel:+39 071 7595011 Fax:+39 071 7595099  
info@frenexport.it - www.frenexport.it

P.IVA E C.F. IT00260710439  
Banca BANCA DELLE MARCHE spa  
IBAN IT84 M060 5569 1310 0000 0001 952

TO: whom it may concern

### EU DECLARATION OF CONFORMITY

We, FRENEXPONENT SPA,  
of Via Enzo Ferrari, 10 – 62017 Porto Recanati (MC) Italy

Declare under our sole responsibility that following products:

Models: CENTOLIGHT SCENIC 100W WW-CW

Description: LED PAR

conform to the essential requirements of:

- European Low Voltage Directive 2014/35/EU
- European EMC Directive 2014/30/EU

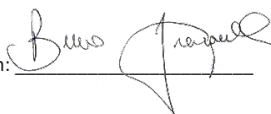
comply with the following standards:

- EN60598-2-17:1989+A2:1991
- EN60598-1:2015
- EN62031:2008+A1:2013+A2:2015
- EN62471:2008
- EN55015:2013
- EN61000-3-2:2014
- EN61000-3-3:2013
- EN61547:2009

conform to RoHS directive 2017/2102/EU and related amendments.

Porto Recanati, 25/03/2021

Position: \_\_\_\_\_



## 10 - GARANZIA E ASSISTENZA

Tutti i prodotti CENTOLIGHT sono coperti da garanzia di due anni. Essa è valida dalla data di acquisto, come indicato dal documento di acquisto. I seguenti casi/componenti non sono coperti dalla garanzia di cui sopra:

- Tutti gli accessori forniti con il prodotto
- Uso improprio
- Guasto dovuto all'usura
- Ogni modifica del prodotto effettuata dall'utente o da terzi

CENTOLIGHT soddisfa gli obblighi di garanzia dovuti a eventuali materiali non conformi o difetti di fabbricazione, rimediando gratuitamente e a discrezione di CENTOLIGHT, sia mediante riparazione o sostituendo singole parti o l'intero apparecchio. Eventuali parti difettose rimosse da un prodotto durante il corso di una richiesta di garanzia diventano di proprietà di CENTOLIGHT.

Durante il periodo di garanzia, i prodotti difettosi possono essere restituiti al rivenditore CENTOLIGHT con prova di acquisto originale. Per evitare danni durante il trasporto, si prega di utilizzare l'imballo originale (se disponibile). In alternativa, inviare il prodotto a SERVICE CENTER CENTOLIGHT - Via Enzo Ferrari, 10 - 62017 Porto Recanati - Italia. Per inviare un prodotto al centro di assistenza è necessario un numero di RMA. Le spese di trasporto devono essere coperte dal proprietario del prodotto.

Per ulteriori informazioni visitate il sito [www.centolight.com](http://www.centolight.com)

## 11 - AVVISO UE E SEE (NORVEGIA, ISLANDA, LIECHTENSTEIN)



**LEGGETE ATTENTAMENTE** - Questo simbolo indica che il prodotto non deve essere smaltito con i rifiuti domestici, in base alla direttiva RAEE (2202/96/CE) e legislazione nazionale.

Il prodotto deve essere consegnato a un centro di raccolta differenziata o, in caso di ritiro dell'usato quando si acquista un nuovo prodotto simile, ad un rivenditore autorizzato per il riciclaggio di apparecchiature elettriche ed elettroniche (WEEE).

Un uso improprio di questo tipo di rifiuti può avere un impatto negativo sull'ambiente e sulla salute umana a causa di sostanze potenzialmente pericolose che sono generalmente associate alle apparecchiature elettriche ed elettroniche. Allo stesso tempo, la vostra collaborazione per il corretto smaltimento di questo prodotto contribuirà a un utilizzo efficace delle risorse naturali.

Per ulteriori informazioni sui punti di raccolta delle apparecchiature da rottamare, contattate il comune, l'autorità di gestione dei rifiuti, strutture coinvolte nel sistema RAEE o il servizio di smaltimento dei rifiuti domestici.



[www.centolight.com](http://www.centolight.com)



This product is imported in EU by  
Questo prodotto viene importato nella UE da

**FRENEXPORT SPA - Via Enzo Ferrari, 10 - 62017 Porto Recanati - Italy**

Centolight® is a registered trademark of FRENEXPORT SPA - Italy  
Centolight® è un marchio di fabbrica registrato di FRENEXPORT SPA - Italia



[www.centolight.com](http://www.centolight.com)