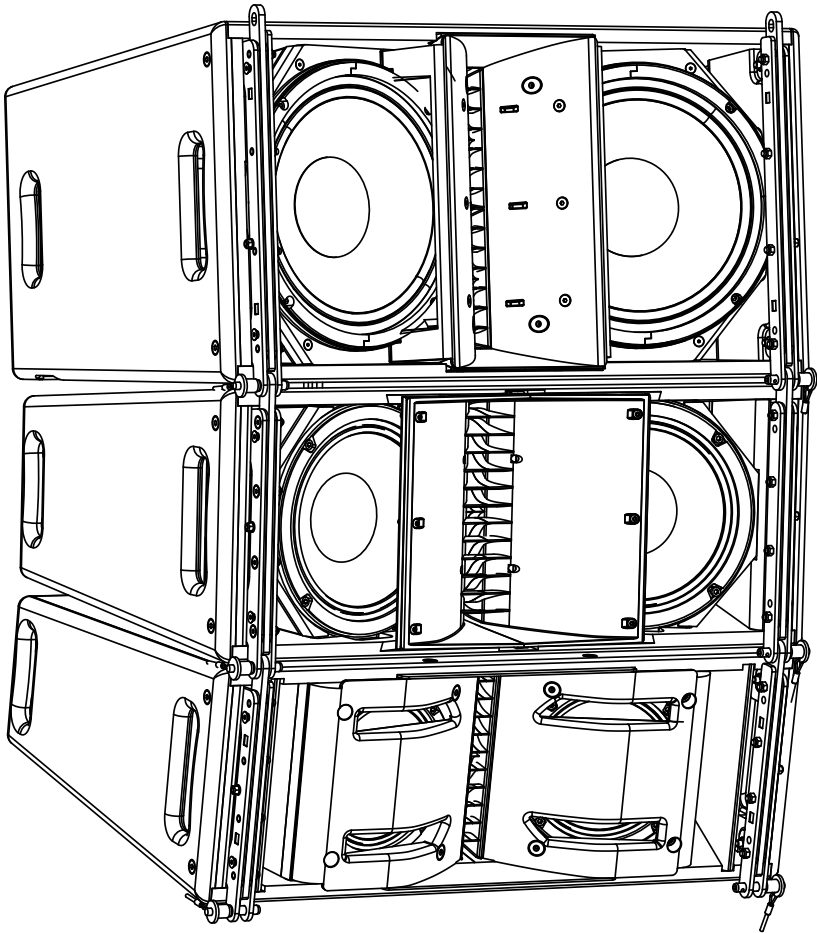




COSMO Line Array



Instructions for use Original edition

- Operating Instructions
- **Rigging Instructions**
- Appendix

Version 2.0s

COSMO

Operating Instructions 2.0

	Important Notes on Safety and Use	3
1	Introduction	4
2	Components	5
3	Connectors and Speaker Cables.....	10
4	Controller Presets	14
5	Example Setups	15

Welcome to the HK Audio family!

Thank you for choosing a brand-name product made by our company. Rest assured, we engineered and built it with the greatest care so it will serve you well for many tomorrows to come.



Do not set this manual aside without reading it first. Be sure to keep it in a safe place for later reference.

Here's wishing you the best sound at every occasion!

Your HK Audio team

Warranty

Register each HK Audio product separately to get a warranty of five years free of charge! Use the convenient online registration option at www.hkaudio.com.



<http://warranty.hkaudio.com>

The registration is only valid if the device is registered within 30 days of the date of purchase.

HK Audio

Technischer Service
Postfach 1509
66595 St. Wendel, Germany
Fax: +49 6851 905 100

Important Notes on Safety and Use!

Please read before connecting the system!



This symbol, wherever it appears, alerts you to important operating and maintenance instructions to be found in the enclosed documentation. Please read and heed the manual.



This symbol, wherever it appears, alerts you to the presence of a burn hazard. It tells you: Caution, hot surface may cause burns. Do not touch.



Electrical and electronic equipment, including batteries, must be disposed of properly and separately from household waste at official collection points.



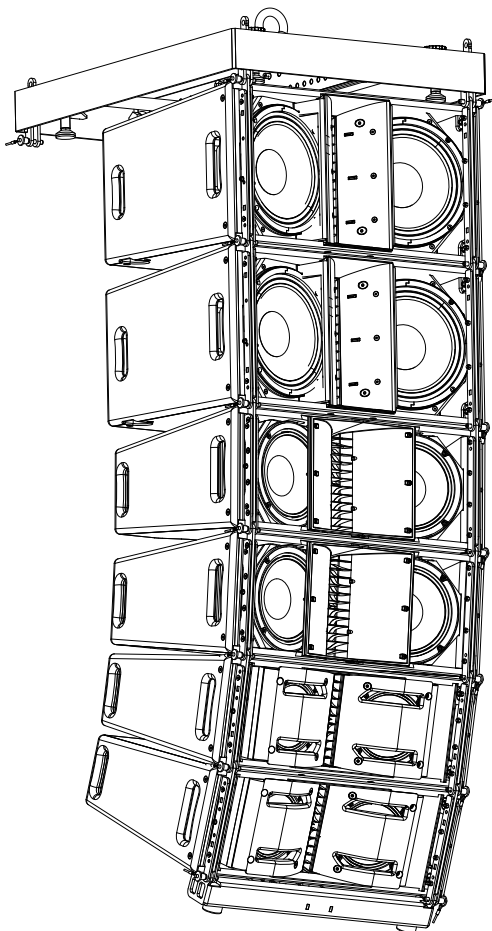
Please read these instructions prior to installation and keep them for later reference. Heed all warnings and instructions on the device and in this manual.

- Do not place any containers containing liquids such as vases, glasses, bottles, and the like on the device.
- Clean the device with a dry cloth only.
- Do not remove any covers or parts of the housing.
- All maintenance work is to be carried out by qualified personnel only. Maintenance is necessary when the device has been damaged in any way, for example, in the event that the device:
 - has had liquids or objects enter it
 - does not function properly even though the operating instructions have been followed
 - has fallen or the housing has been damaged.
- Do not install the device near heat sources such as radiators, heating grates, stoves, or other appliances that produce heat.
- Do not place any object with open flames such as burning candles on the appliance.
- The device may only be used with wheel boards, stands, speaker stands, tables or brackets specified by the manufacturer or sold with the device. Proceed with caution when moving equipment on a wheel board, making sure it does not tip over and cause an injury.

- Use only accessories recommended by the manufacturer. This applies to protective covers, transport bags, speaker stands, wall and ceiling brackets, and all other types of accessories. Always follow the manufacturer's instructions when attaching accessories to the device. Use only the mounting points provided by the manufacturer.
- Do not insert objects through the housing's vents.
- This device is able to produce sound pressure levels in excess of 90 dB. This could lead to permanent hearing loss. Exposure to extremely high noise levels can lead to permanent hearing loss. Hearing protection should be worn in the event of prolonged exposure to such high levels.
- The manufacturer guarantees the safety, reliability and performance of the device only under the following conditions:
 - Installation, expansion, recalibration, modifications or repairs are carried out by the manufacturer or authorized personnel only.
 - The device is used in compliance with the instructions for use.
- This product is optimized for use with music and speech signals. Using it at higher levels with sinusoidal, square-wave, or other measurement signals can cause serious damage to the device.

V 2.6b

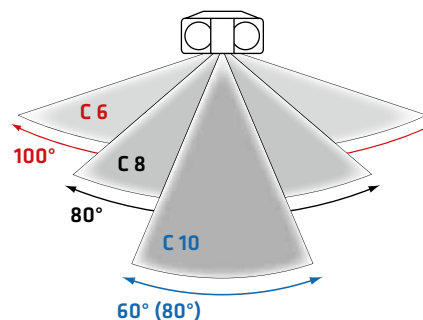
1 Introduction



1.1 COSMO – Modular for Economy and Flexibility

The COSMO line array system was engineered to be an exceptionally flexible, easily configurable solution for professional sound reinforcement applications. It pairs outstanding audio quality with remarkably convenient handling.

With horizontal directivities of 100° (C 6), 80° (C 8), and 60°/80° (C 10), this family of ultra flexible systems provides the bandwidth needed to cover the most diverse live scenarios. Each cabinet type can be deployed individually and in various combinations with its siblings.



The new COSMO Multicell Transformer (MCT) serves up much smoother frequency response, less distortion, and far more uniform throw patterns than its predecessor, 2002's Cohedra AcousticLens. HK Audio engineers used sophisticated computer simulations and rapid prototyping to develop this ingenious waveguide – a feat unthinkable without these state-of-the-art tools to tame the complex physics of sound reinforcement. The MCT's many narrow channels shift resonances to higher frequencies range beyond the audible range.

All this makes working life much easier for the FOH engineer at the mixing desk. Powerful 6.5", 8" and 10" speakers provide the perfect low midrange support for the COSMO modules' high-frequency range. The three M/H units share the same 60-by-45 cm footprint, so they are very easy to set up and connect. This universal format also brings the hardware accessory count down.

1.2 COSMO Components at a Glance

Speaker cabinets

- C 6 mid/high unit
- C 8 mid/high unit
- C 10 mid/high unit
- CF 118 subwoofer
- CS 118 subwoofer
- CS 218 subwoofer

Amps and controllers

- C-DRIVE 4, C-DRIVE 8 amp racks

Speaker cables

- LSM NL8 multicore
- LSM mid/high adapter
- LSM sub adapter

Rigging, hardware, transport

- CRF-80 rigging frame
- CRF-60 rigging frame
- CRF-PB pull-back frame
- C-GSA ground stack adapter
- C-WB, CS-WB 1, CS-WB 2 wheel boards
- CF-DO dolly, CF-DO extension
- Matching protective covers

Software

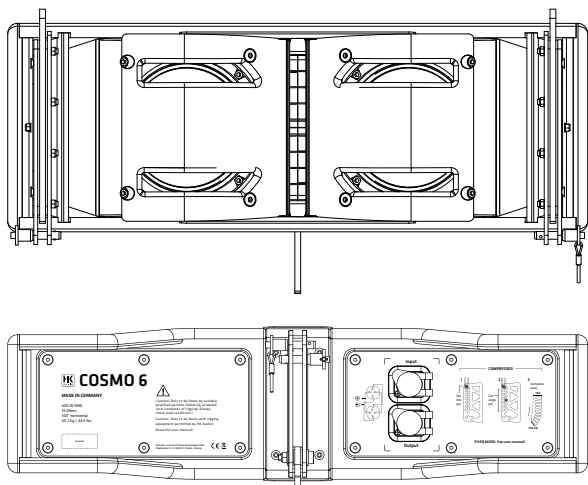
- EASE 4.4
- EASE Focus 3
- Lake Controller
- Armonía

2 Components

2.1 Speaker Cabinets

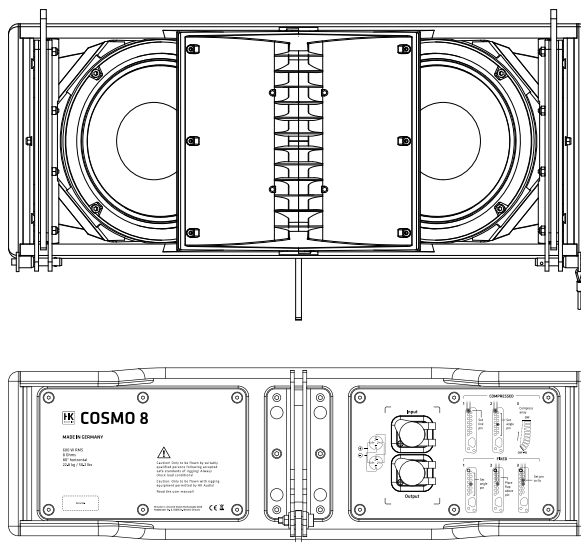
The COSMO system consists of three types of mid/high line array speakers and a flyable 18" subwoofer. All COSMO components have been tuned acoustically so they can be combined in a vertical array. COSMO M/H units can be connected without hardware adapters. C SUB series subwoofers may be added to provide low-end support.

• C 6 mid/high unit



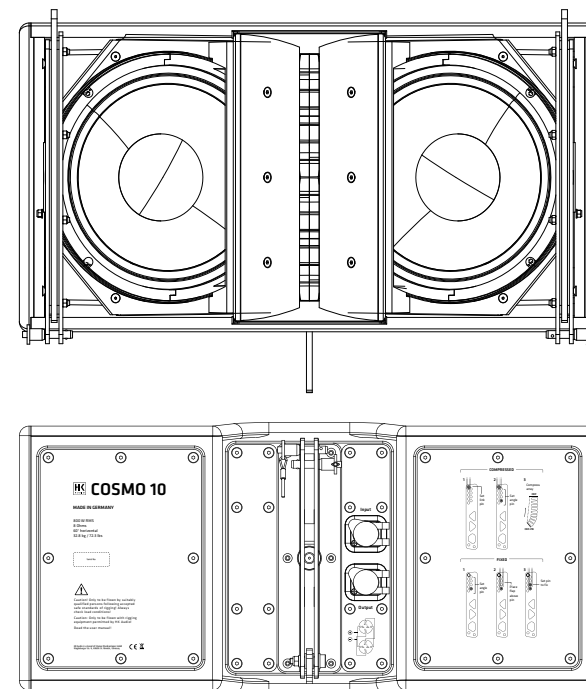
Driven via a passive x-over, this two-way M/H line array unit is loaded with two 6.5" midrange woofers and a 1.4" HF driver fronted by a Multicell Transformer (MCT). With 100° horizontal directivity, it is perfect for short throw distances.

• C 8 mid/high unit



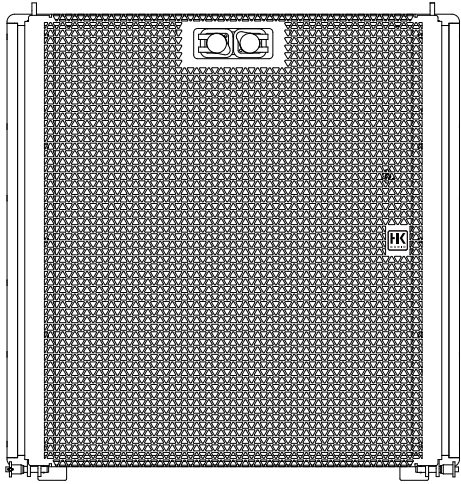
Driven via a passive x-over, this two-way M/H line array unit is loaded with two 8" midrange woofers and a 1.4" HF driver fronted by an MCT. With 80° horizontal directivity, it is perfect for medium-range throw distances

• C 10 mid/high unit



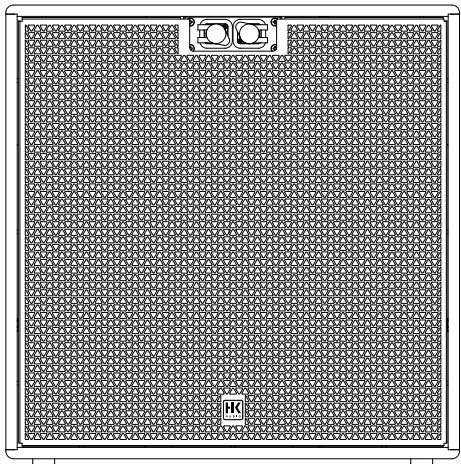
Driven via a passive x-over, this two-way M/H line array unit is loaded with 10" midrange woofers and two 1.4" tweeters fronted by MCTs. With 60° horizontal directivity (optional 80° by installing the brackets supplied), it is perfect for longer throw distances.

• **CF 118 subwoofer**



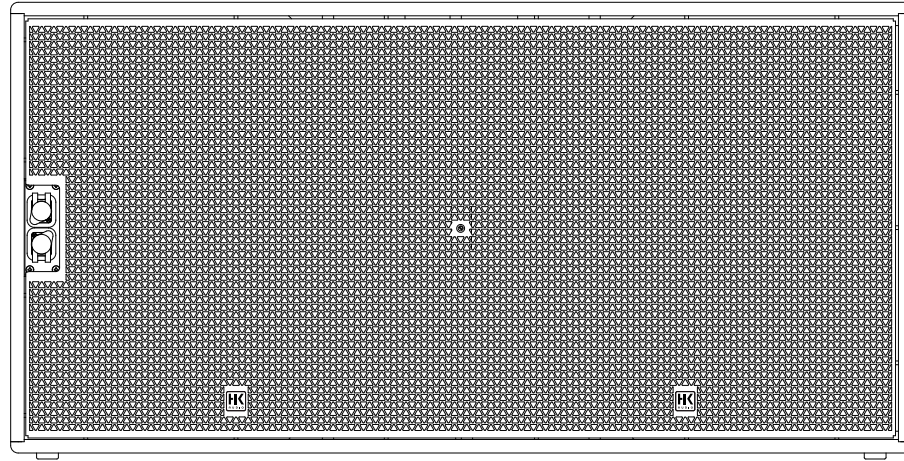
This passive, flyable bass reflex subwoofer is loaded with an 18" woofer and equipped with a Pin Assignment switch.

• **CS 118 subwoofer**



This passive bass reflex subwoofer is loaded with an 18" woofer and equipped with a Pin Assignment switch.

• **CS 218 subwoofer**



This passive bass reflex subwoofer is loaded with two 18" woofers and equipped with a Pin Assignment switch.

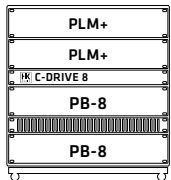
➔ Please consult the appendix for all other technical specifications, measurements and scale diagrams

2.2 Amps and Controllers



Engineered to deliver the best audio results, the HK Audio C-DRIVE 4 and C-DRIVE 8 amp racks provide the perfect engine room for the amps that drive COSMO systems. Featuring a shock-mount suspension and double sliding doors, these racks are well-equipped for the rigors of professional use on the road. They ship with Lab. Gruppen (LG) and Powersoft (PS) amplifiers.

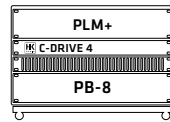
• C-DRIVE 8 LG 12K44 / 5K44



2x 4 output channels

Factory included: 2x Lab.Gruppen PLM+ 12K44 (or 5K44), 2x PB-8 patchbay, 1x PS 32 power supply, 2x blank panel, 10U quick-shut rack

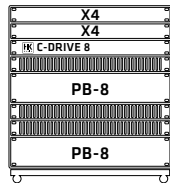
• C-DRIVE 4 LG 12K44 / 5K44



4 output channels

Factory included: 1x Lab.Gruppen PLM+ 12K44 (or 5K44), 1x PB-8 patchbay, 1x PS 32 power supply, 2x blank panel, 6U quick-shut rack

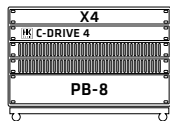
• C-DRIVE 8 PS X4 / T604



2x 4 output channels

Factory included: 2x Powersoft X4 (or T604), 2x PB-8 patchbay, 4x blank panel, 10U quick-shut rack

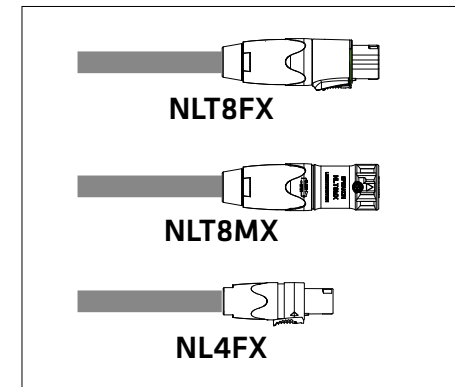
• C-DRIVE 4 PS X4 / T604



4 output channels

Factory included: 1x Powersoft X4 (or T604), 1x PB-8 patchbay, 3x blank panel, 6U quick-shut rack

2.3 Speaker Cables



LSM

This four-channel multicore speaker cable is available in various lengths.



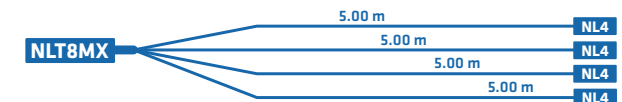
LSM Mid/High

This NL8-to-4x NL4 adapter serves to connect four COSMO M/H units.



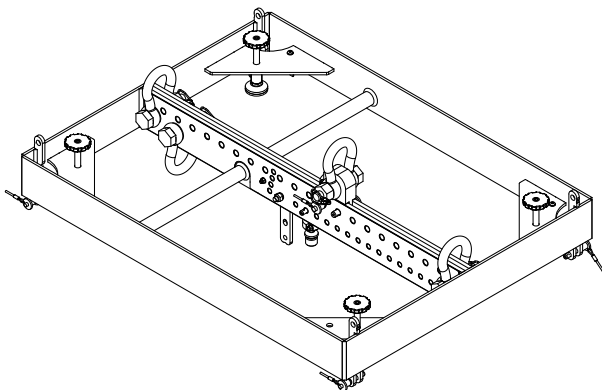
LSM Sub

This NL8-to-4x NL4 adapter serves to connect four subwoofers.



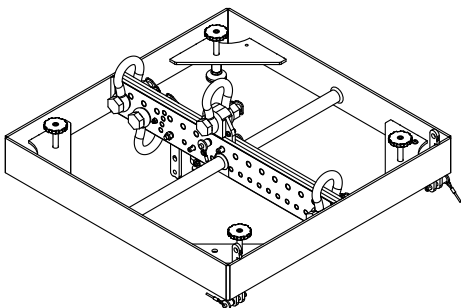
2.4 Rigging and Transport Hardware

- **CRF-80 rigging frame** – art. no. 1007678



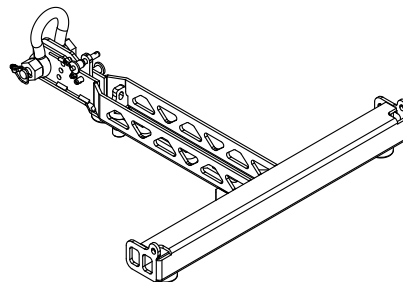
The multifunctional CRF-80 serves as a rigging frame for C 6, C 8 and C 10 M/H units, or for arrays with the CF 118. The CRF-80 may also be used for ground stacks.

- **CRF-60 rigging frame** – art. no. 1007677



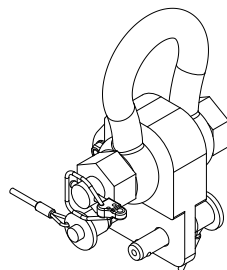
The multifunctional CRF-60 serves as a rigging frame for C 6, C 8 and C 10 M/H units, or for ground stacks.

- **CRF-PB pull-back frame** – art. no. 1007679



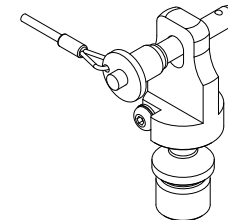
The CRF-PB pullback frame serves to fly cabinets in compressed mode, to place up M/H units on speaker stands, or to stack M/H units.

- **C-PPA pick-point adapter** – art. no. 1007680



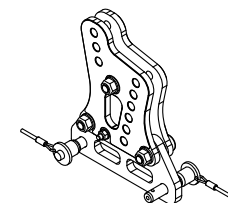
The pick-point adapter serves to attach chain hoists and other suitable lifting devices to the rigging frame.

- **C-M20 adapter** – art. no. 1007681



The C-M20 adapter serves to securely connect the rigging frame or pullback frame to ground-stacked C SUB subwoofers.

- **C-GSA ground stack adapter** – art. no. 1007682

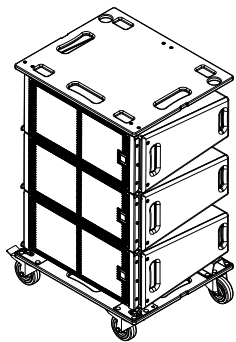


The C-GSA ground stack adapter serves to connect ground-stacked mid/high units to the rigging frame, and tilt the cabinets at angles up to -20°.

- **C-STR tensioning strap (not pictured)** – art. no. 1007707

This tensioning strap comes with a BSC (belt slip control) ratchet for compressed mode rigging.

• COSMO and C SUB wheel boards



C-WB for M/H units – art. no. 1007638

The compact C-WB wheel board comes with a protective lid. It provides an easy, space-saving way of transporting COSMO M/H units. The cover's length is adjustable, so the C-WB can accommodate various combinations of COSMO M/H units. They are stored and transported at a 0° angle on the C-WB.

CS-WB 1 (for the CS 118) – art. no. 1007700

CS-WB 2 (for the CS 218) – art. no. 1007699

These two compact wheel boards provide an easy, space-saving way of transporting C SUB series subwoofers. The matching covers keep the speaker cabinets well-protected during transport and in storage.

CF-DO (for CF 118) – art. no. 1007769

The CF-DO dolly board provides a safe means of transporting the CF 118. With the optional CF-DO Extension, you can use its base for ground stacks.

CF-DO Extension – art. no. 1007770

This optional extension for the CF-DO dolly board provides a convenient means of stacking the CF 118 with C 6, C 8 or C 10 mid/high units on the ground.

The following table goes to help you plan your logistics. It indicates COSMO transport accessories' size and weight when loaded with speakers.

• COSMO transport accessories take up the following amounts of truck space:



Truck loading space

C-WB		60 x 50 cm 3x C 8 (6x) (84 kg / 185 lbs)
WB 1		60 x 80 cm 2x CS 118 (108 kg / 238 lbs)
CF-DO		60 x 80 cm 2x CF 118 (132 kg / 291 lbs)
WB 2		120 x 80 cm 2x CS 218 (190 kg / 419 lbs)
C-DRIVE 4		60 x 55 cm 1x C-DRIVE 4 (60 kg / 132 lbs)
C-DRIVE 8		60 x 70 cm 1x C-DRIVE 8 (87 kg / 192 lbs)
CRF-60		60 x 80 cm 2x CRF-60 (80 kg / 176 lbs)
CRF-80		60 x 80 cm 2x CRF-80 (92 kg / 203 lbs)

2.5 Software

EASE Focus 3

Simulation data sets are available in GLL format for all COSMO and C SUB series loudspeakers. With EASE Focus 3, you can map out the direct sound for defined coverage areas. Free and easy to understand, it is an indispensable tool for planning line arrays.

- Vendor: AFMG Technologies GmbH
- Download it at <http://focus.afmg.eu>.
- Matching GLL files are available at www.hkaudio.com.

EASE 4.4

You can also use these GLL data sets with the industry standard EASE 4.4 software to simulate other factors beyond the room's acoustics to take into account variables such as the noise floor and frequency masking at various levels. This lets you do things like make realistic predictions as to the speech intelligibility in any given room. Another possibility is auralization, where you can model a sound system's performance while taking the room's acoustics into account. This is a great way of giving a less knowledgeable customer an idea of what kind of an audio image can actually be achieved in that venue.

Lake

Lake Controller software provides an interface that lets you control Lab.gruppen PLM+ series power amps, and monitor their status and the connected speaker loads. It serves to monitor the amplifiers' status and the connected speaker loads. Featuring lots of customizing and control options, this software runs best on wireless tablet PCs. www.labgruppen.com.

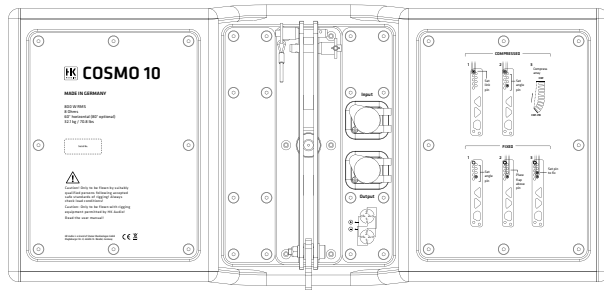
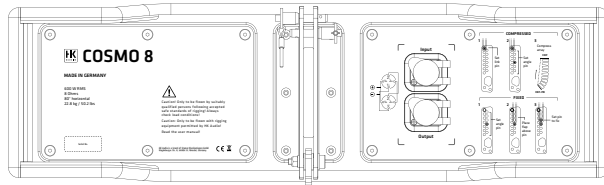
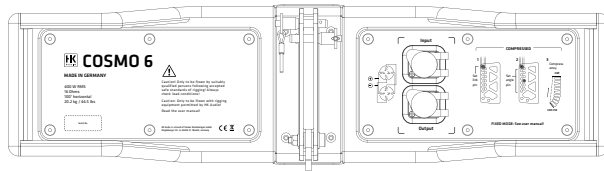
Armonía

Powersoft also offers a professional platform for controlling its DSP technology. Called ArmoníaPlus, it furnishes everything you need to plan, monitor and fine-tune PAs. Download Armonía at www.powersoft-audio.com.

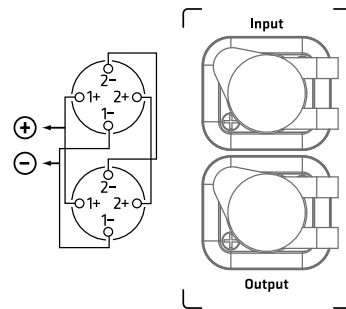
- ➔ Please visit the given vendor's website to learn more about the software and system requirements.

3 Connectors and Speaker Cables

- C 6, C 8, C 10 mid/high units



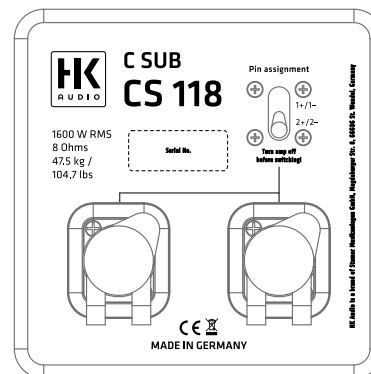
Each COSMO M/H unit is equipped with two parallel NL4 Speakon connectors. The input accepts the signal-carrying speaker cable; the output serves to connect further speaker cabinets.



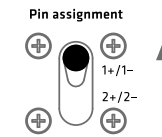
Connector pin assignments	
1+/1-	HF/MF signal
2+/2-	THRU

- CF 118, CS 118, CS 218 subwoofers

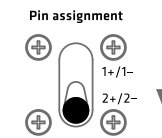
Each CF 118, CS 118 and CS 218 subwoofer is equipped with two parallel NL4 connectors on the front and rear. They serve to connect the signal-carrying speaker cable and route the signal on to other speakers. The built-in Pin Assignment switch configures the signal taps.



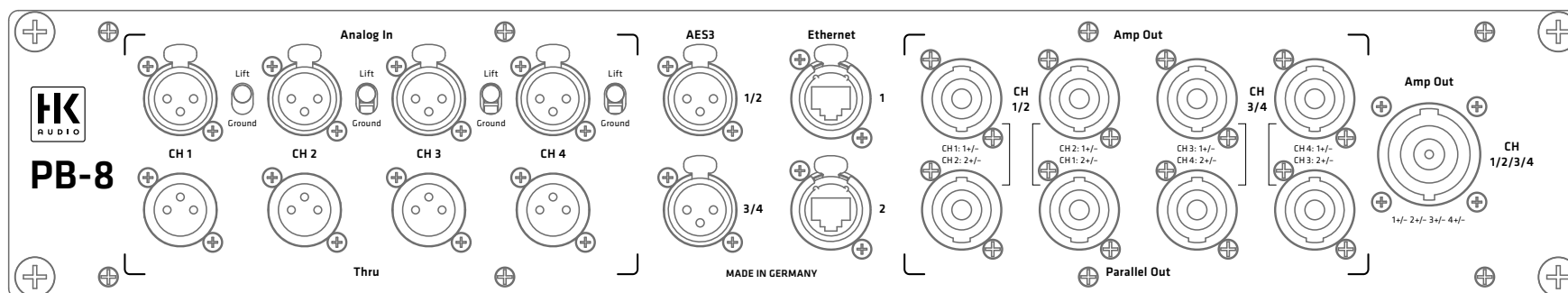
Pin Assignment switch settings:



Pin assignments when set to 1+/1-	
1+/1-	SUB signal
2+/2-	THRU



Pin assignments when set to 2+/2-	
1+/1-	THRU
2+/2-	SUB signal



• **PB-8 patchbay**

The PB-8 is the central input/output hub for all HK Audio amp racks.

XLR audio inputs	
XLR Analog In	CH 1 • CH 2 • CH 3 • CH 4
XLR Analog Thru	CH 1 • CH 2 • CH 3 • CH 4
XLR AES 3	CH 1/2 • CH 3/4

The analog Thru connectors let you route the incoming signal on to a downstream amp. The built-in switch severs the signal-carrying line's ground circuit.

The two Ethernet ports serve control purposes and as an interface for the Dante® interface. The Ethernet ports may be used as a switch in conjunction with the amp platforms and as redundant ports for the Dante interface.

Four speaker outputs are at your disposal:

The eight NL4 outputs are four-pole connectors with two channels each. The channels assigned to the given amplifier output may be tapped via pin 1+/-, and the second channel via 2+/- . The bottom NL4 outputs are connected in parallel to the top NL4 outputs.

The four channels are configured as follows when you use the NL8 output:

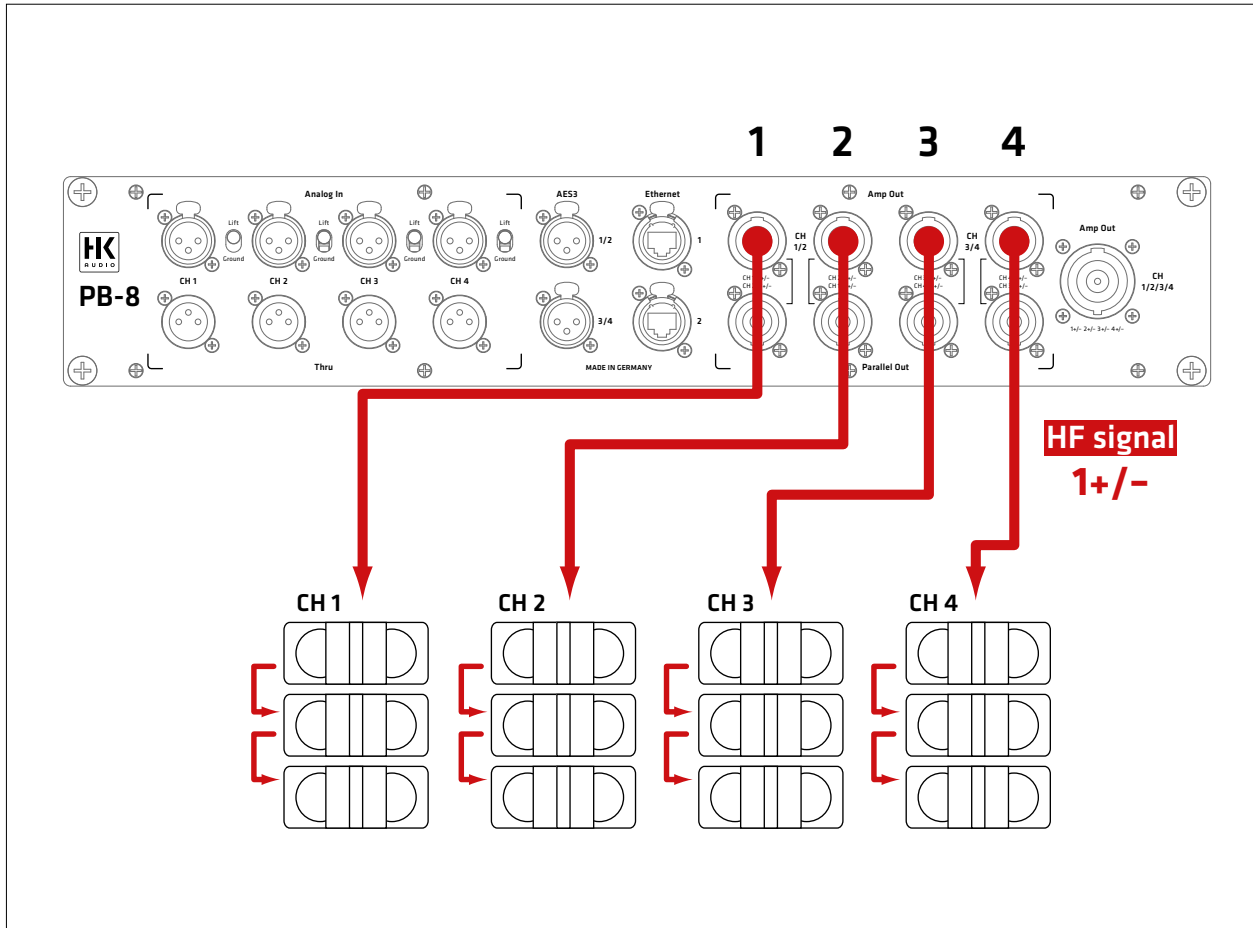
NL8 connector pin assignments	
1+/-	CH 1
2+/-	CH 2
3+/-	CH 3
4+/-	CH 4

➔ Please consult the appendix for all other technical specifications and information about the patchbay's internal wiring.

Connecting COSMO M/H units

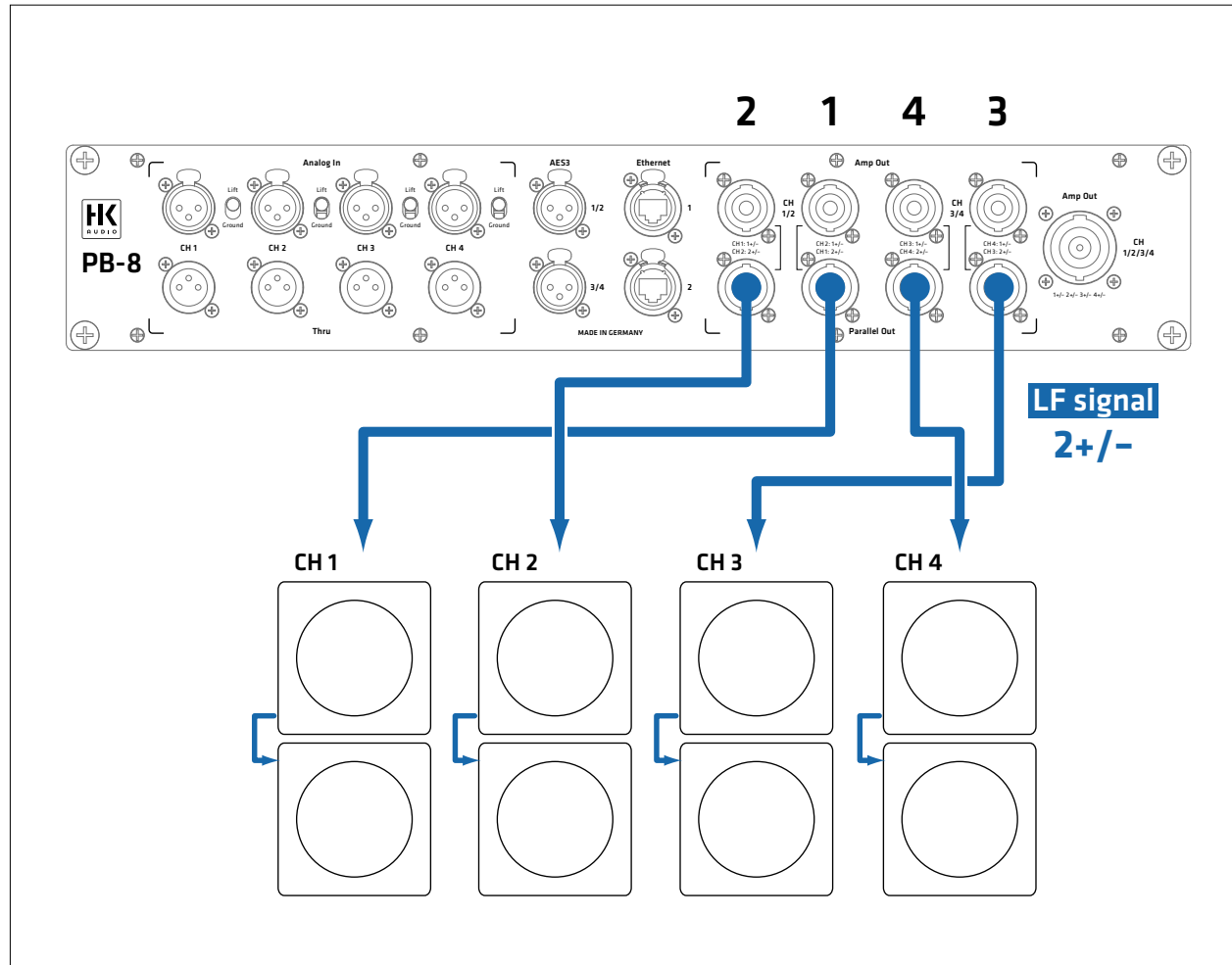
The table indicates how many mid/high units may be connected to each channel. The recommended minimum electrical impedance for each channel is 2.66 ohms.

Number of mid/high units per channel	
C 6	6 units per channel
C 8	3 units per channel
C 10	2 units per channel



Connecting subwoofers

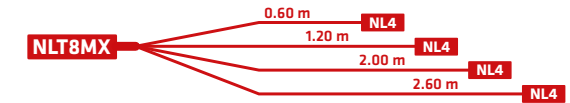
Connect no more than two CS 118/CF 118 (or one CS 218 unit) to each channel. The recommended minimum electrical impedance for each channel is 4 ohms.



Using the COSMO multicore cable

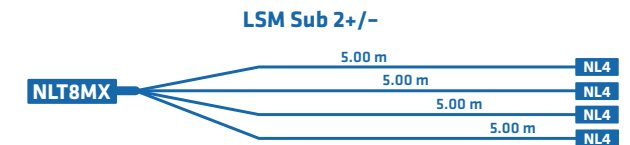
• **LSM Mid/High adapter** (art. no. 1006166)

The LSM Mid/High adapter is a convenient way of connecting larger systems. The LSM Mid/High adapter's NL4 pin assignments are two poles to pin 1+/- . See section 5, "Example Setups," for more on this.



• **LSM Sub adapter** (art. no. 1006167)

The LSM Sub adapter is a convenient way of connecting larger systems. The LSM Sub adapter's NL4 pin assignments are two poles to pin 2+/- . The subwoofer's Pin Assignment switch has to be set to the 2+/- position.



• **NL8 Multicore**

- LSM 5 (art. no. 1007712) length 5 m
- LSM 10 (art. no. 1007713) length 10 m
- LSM 15 (art. no. 1007714) length 15 m
- LSM 20 (art. no. 1006165) length 20 m



4 Controller Settings

The following filters are available for operating the system's components with Lake and Armonía controller software.

Filters for COSMO M/H units

C 6	
"C 6 - FR" (Fullrange)	"C 6 - LC" (Low Cut)
C 8	
"C 8 - FR" (Fullrange)	"C 8 - LC" (Low Cut)
C 10	
"C 10 - 60° FR" (Fullrange)	"C 10 - 60° LC" (Low Cut)
"C 10 - 80° FR" (Fullrange)	"C 10 - 80° LC" (Low Cut)

Filters for C SUB subwoofers

CF 118		
"CF 118 - Flat"	"CF 118 - Boost"	"CF 118 - Sub Low"
CS 118		
"CS 118 - Flat"	"CS 118 - Boost"	"CS 118 - Sub Low"
CS 218		
"CS 218 - Flat"	"CS 218 - Boost"	"CS 218 - Sub Low"

CS Flat: for large arrays with 12 or more M/H units

CS Boost: for small arrays with up to 12 M/H units or for ground stacks

CS Sub Low: for CF 118, CS 118 and CS 218 sub low add-ons

If you wish to use Lake, there are also compensation overlays (filters) available for arrays of varying lengths:

EQ array compensation overlays		
6 to 8 cabinets	9 to 11 cabinets	12 to 20 cabinets

4.1 Recommended filters

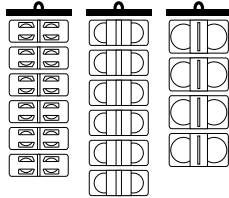
COSMO mid/high units and C SUB series subwoofers are designed for the most diverse applications. Use the recommended filter to adapt them to the given application. These EQ setups have been tested and proven.

• Standalone M/H units:



The recommendation for mid/high units deployed as standalone units such as near-fills and the like is to activate each unit's **low-cut filter**.

• M/H unit array:

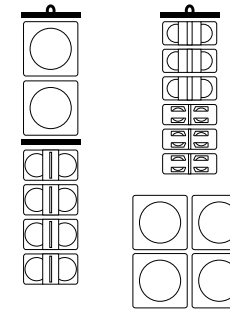


The recommendation for arrays consisting of just one type of mid/high unit – that is, setups consisting solely of C 6, C 8 or C 10 cabinets – is to activate the **fullrange preset** for each cabinet.

Lake: Be sure to select the right EQ overlay for the given number of deployed mid/high units when using Lake.

Armonía: It provides ready-to-use modules with compensation built in, so you do not need to select the appropriate EQ overlays in Armonía.

• Arrays with added subwoofers:



We recommend the following filter combinations for arrays with added C SUB bass bins::

C 6 / C SUB	
for "CS Flat" or "CS Sub Low"	"C 6 - FR"
for "CS Flat" or "CS Boost"	"C 6 - LC"

C 8 / C SUB	
for "CS Flat" or "CS Sub Low"	"C 8 - FR"
for "CS Flat" or "CS Boost"	"C 8 - LC"

C 10 / C SUB	
for "CS Flat" or "CS Sub Low"	"C 10 - FR"
for "CS Flat" or "CS Boost"	"C 10 - LC"

We recommend the following M/H-unit-to-subwoofer ratios:



Three C 6 / C 8 to two CS/CF 118

Three C 6 / C 8 to one CS 218

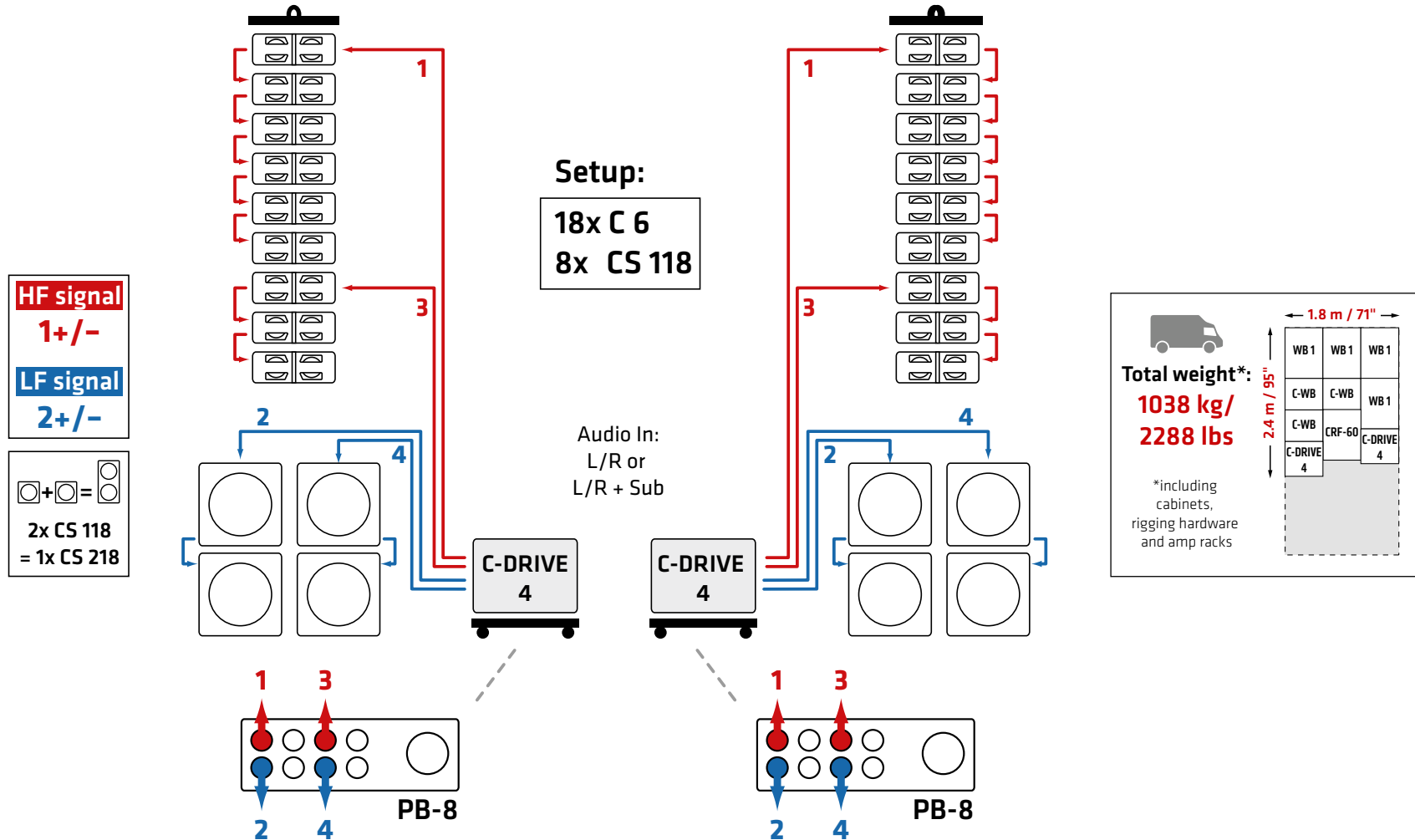


Two C 10 to two CS/CF 118

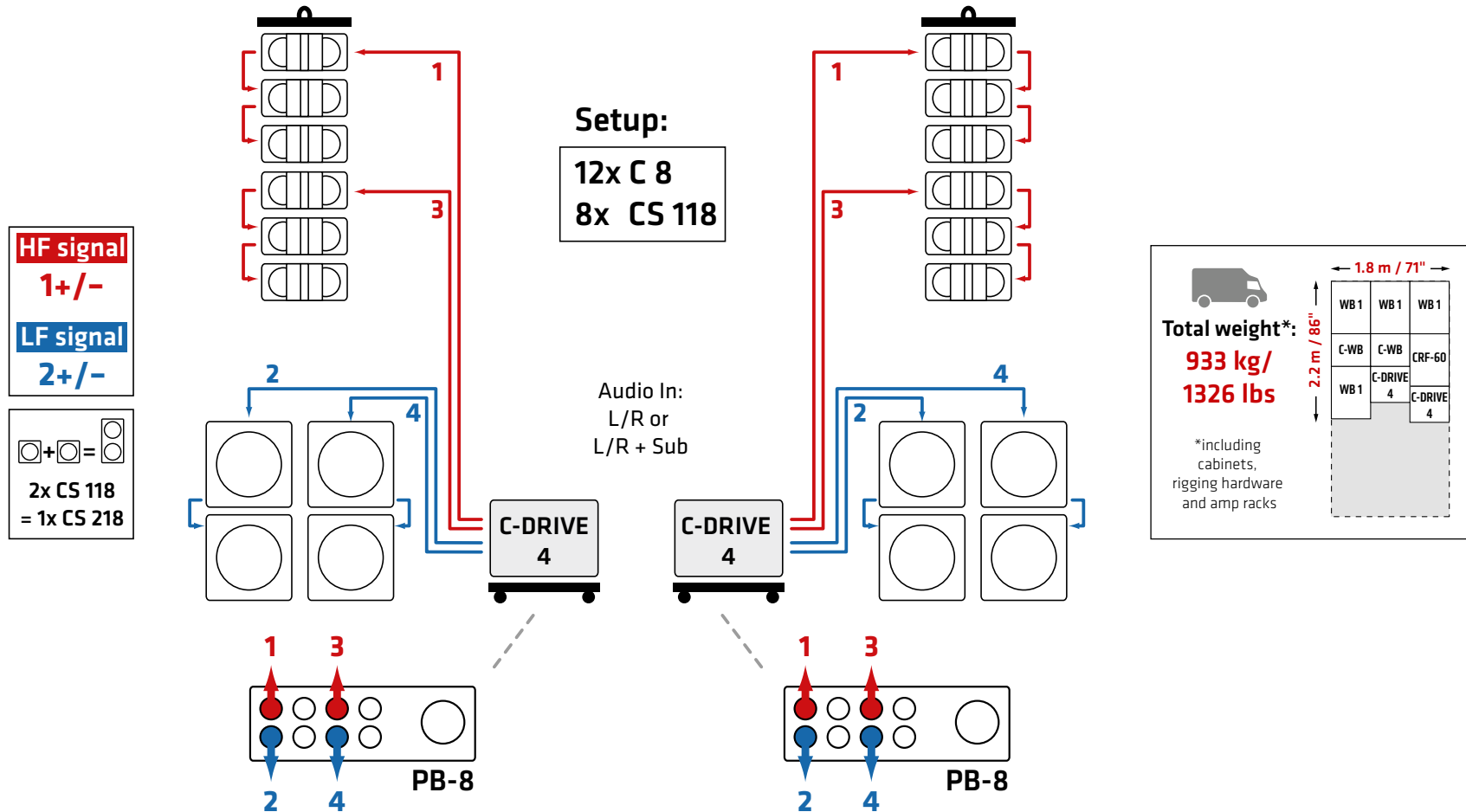
Two C 10 to one CS 218

5 Example Setups

1



2



5 Example Setups

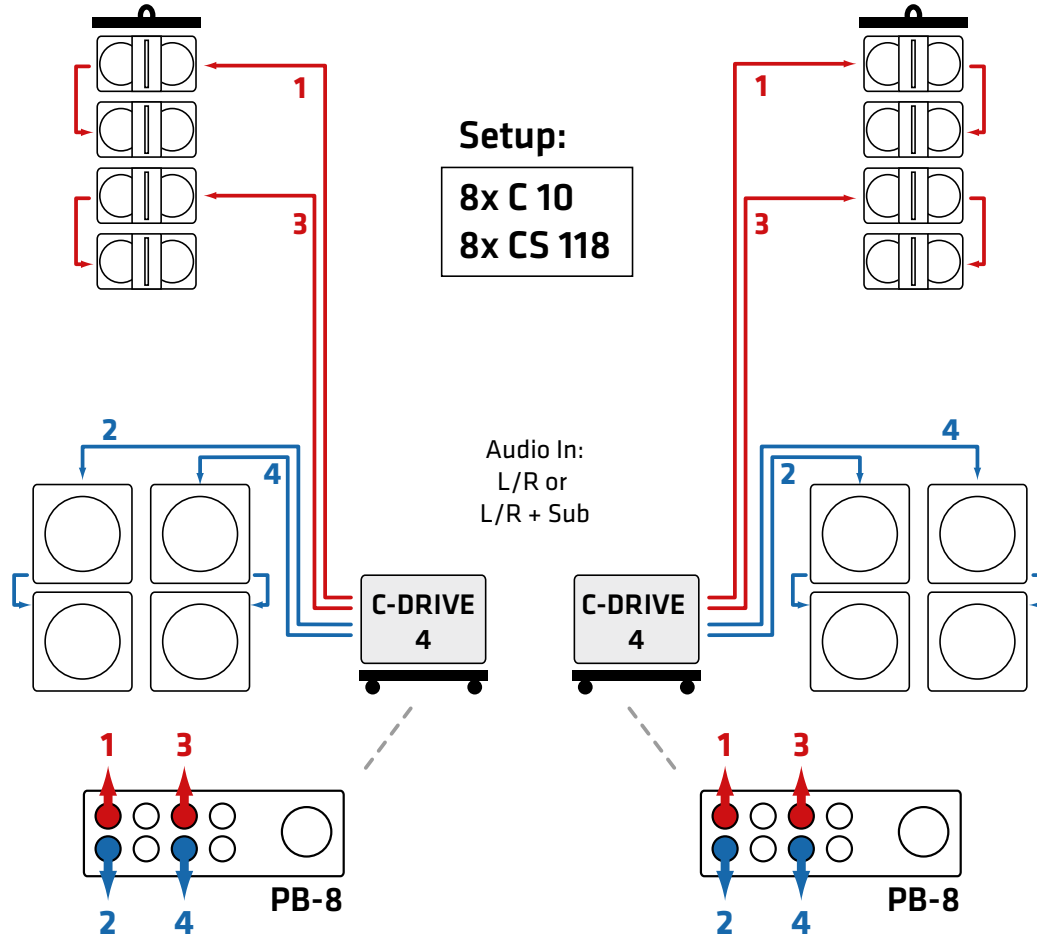
• English

3

HF signal
1+/-

LF signal
2+/-

2x CS 118
= 1x CS 218



Total weight*:
919 kg
2026 lbs

*including cabinets, rigging hardware and amp racks

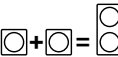
1.8 m / 71"		
WB 1	WB 1	WB 1
C-WB	C-WB	CRF-60
WB 1	C-DRIVE 4	C-DRIVE 4
2.2 m / 86"		

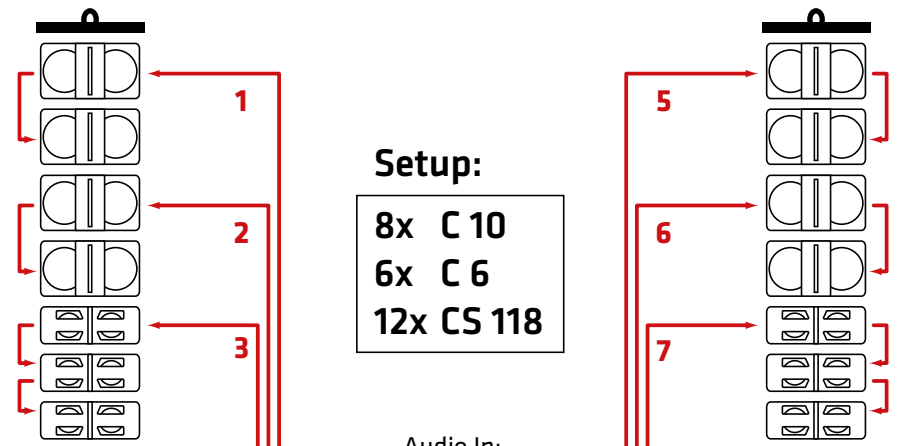
4

HF signal
1+/-

LF signal
2+/-

LF signal
2+/-


 2x CS 118
 = 1x CS 218



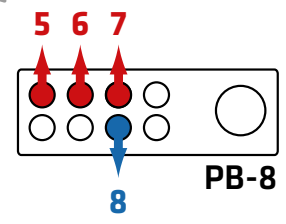
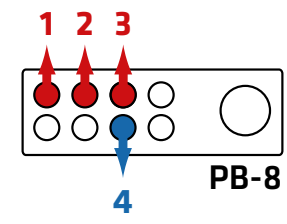
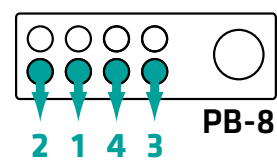
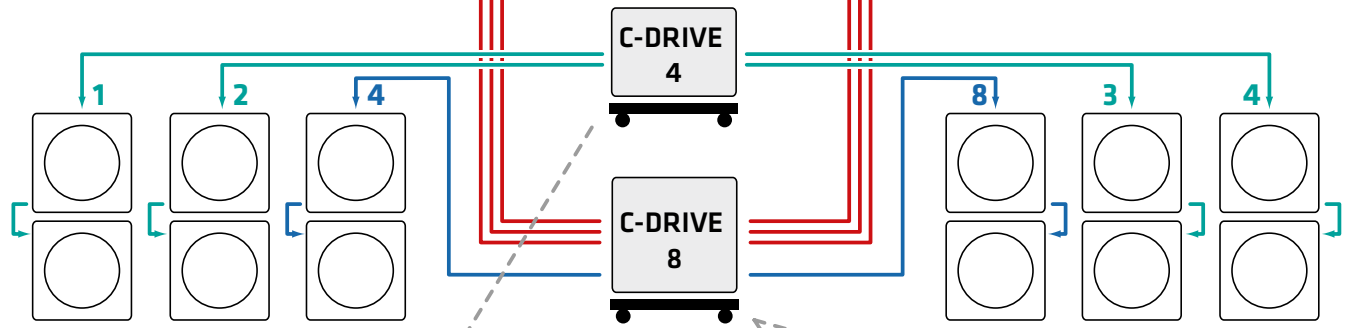
Setup:
 8x C 10
 6x C 6
 12x CS 118

Audio In:
 L/R or
 L/R + Sub

Total weight*:
1251 kg /
2758 lbs

*including cabinets, rigging hardware and amp racks

1.8 m / 71"		
WB 1	WB 1	WB 1
WB 1	WB 1	WB 1
C-WB	C-WB	C-WB
C-DRIVE 4	C-DRIVE 8	CRF-60
2.9 m / 11'4"		

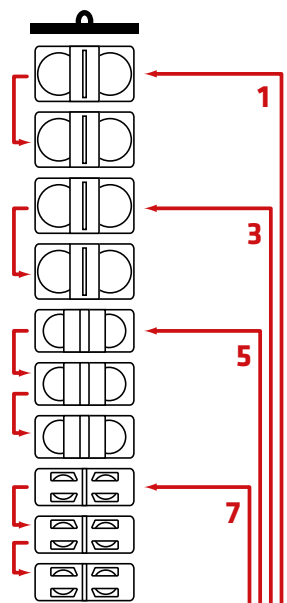


5

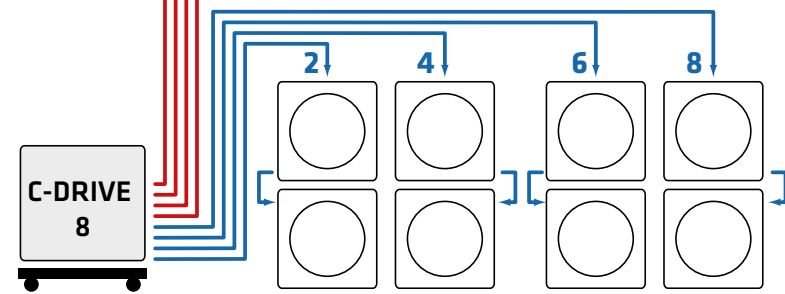
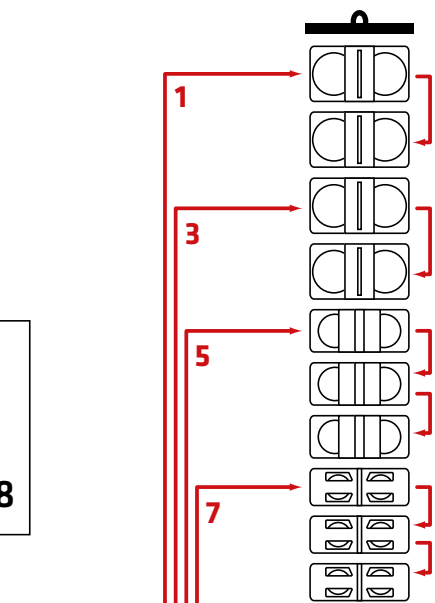
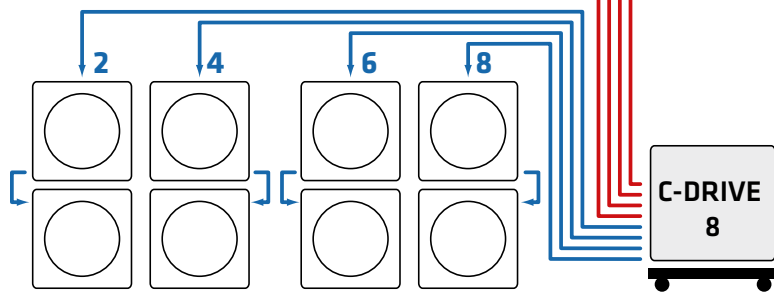
HF signal
1+/-

LF signal
2+/-

□ + □ = □
2x CS 118
= 1x CS 218



Setup:
8x C 10
6x C 8
6x C 6
16x CS 118

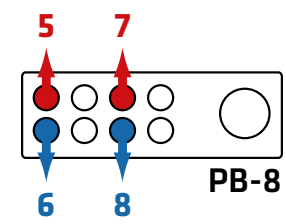
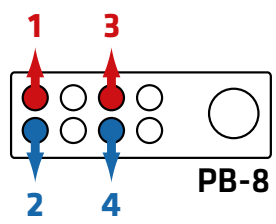
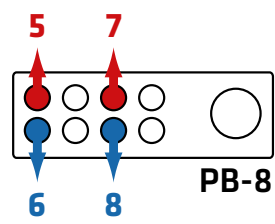
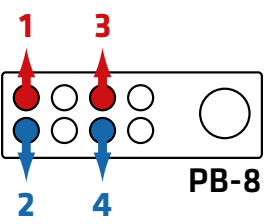


Total weight*:
1702 kg/
3752 lbs

*including cabinets, rigging hardware and amp racks

2.4 m / 94"			
WB 1	WB 1	WB 1	WB 1
WB 1	WB 1	WB 1	WB 1
C-WB	C-WB	C-WB	C-WB
C-DRIVE 8	C-DRIVE 8	CRF-80	
2.8 m / 110"			

Audio In:
L/R or
L/R + Sub



5 Example Setups

• English

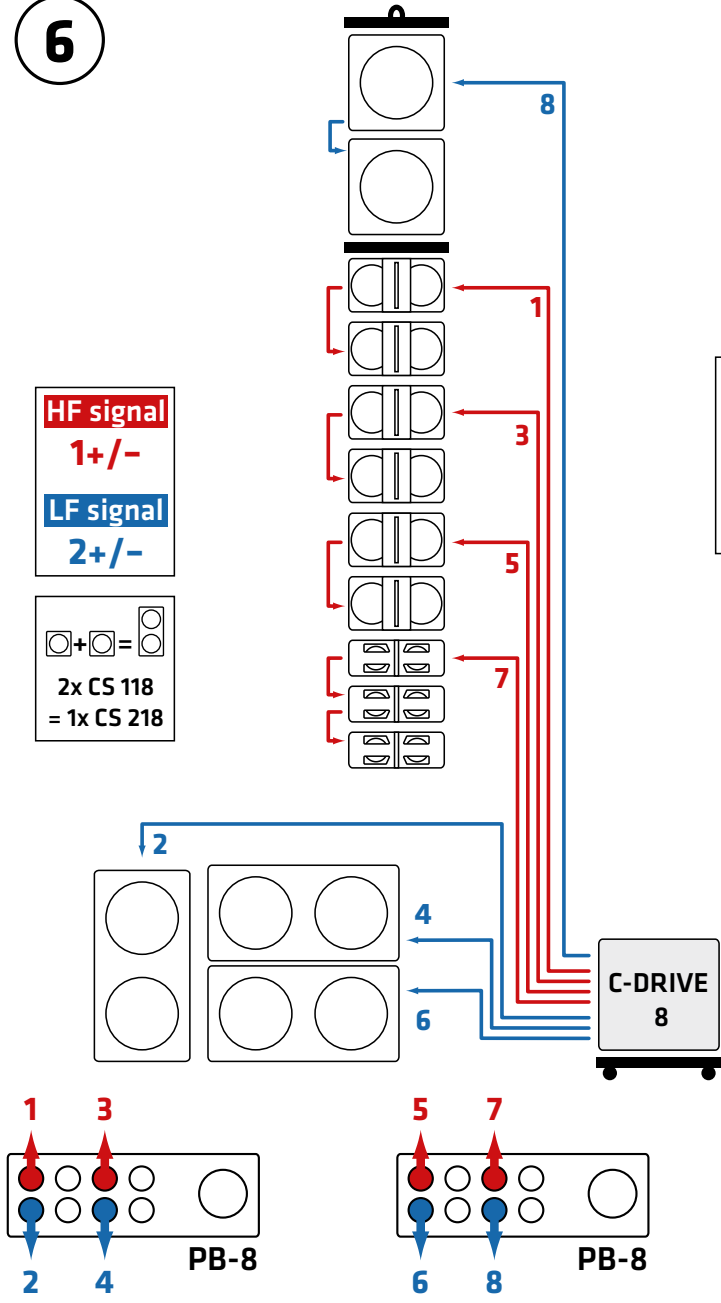
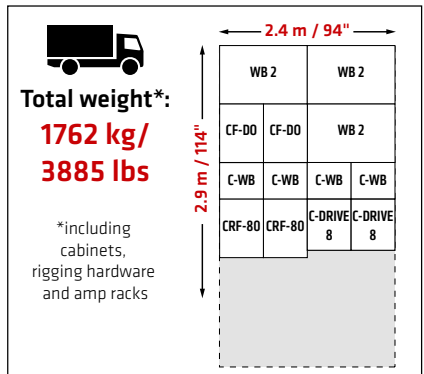
6

HF signal
1+/-

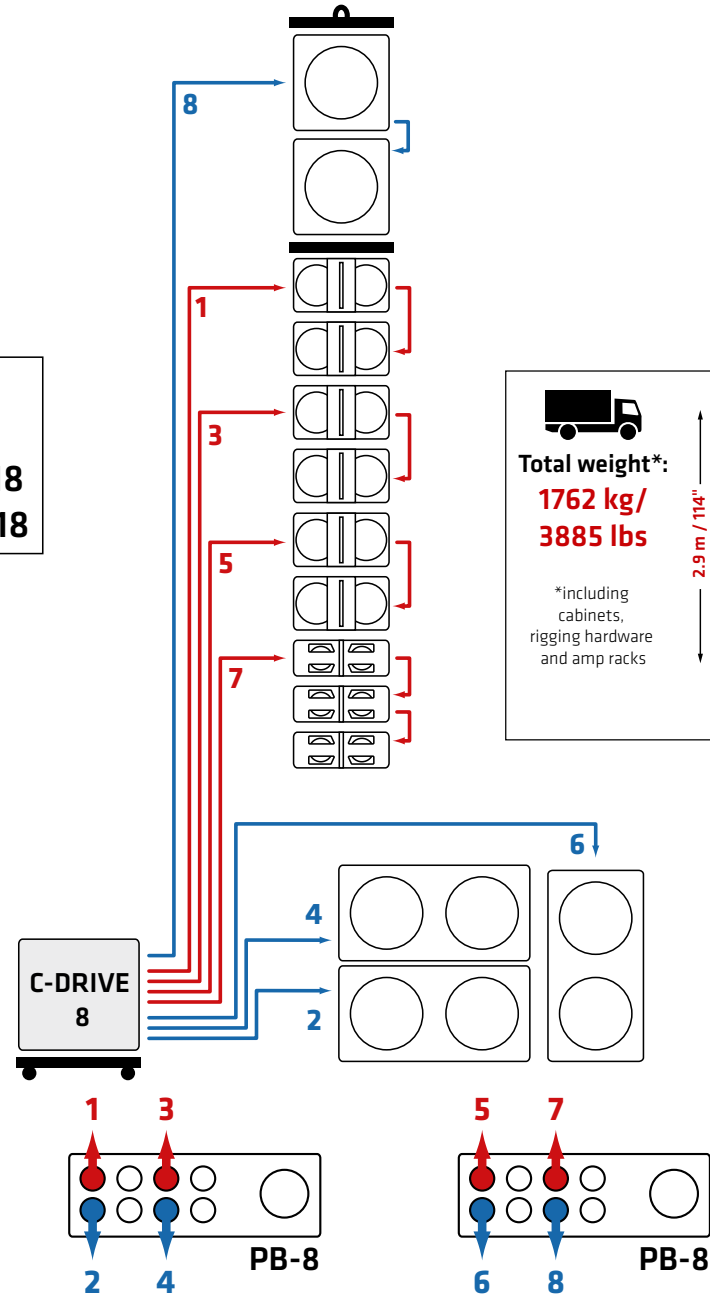
LF signal
2+/-

⊖+⊖=⊖
2x CS 118
= 1x CS 218

Setup:
12x C 10
6x C 6
4x CF 118
6x CS 218



Audio In:
L/R or
L/R + Sub



5 Example Setups

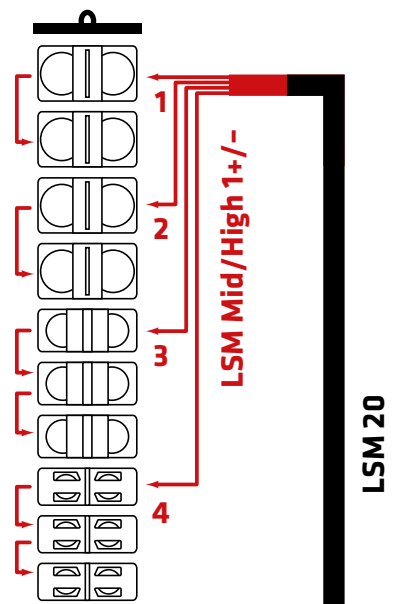
• English

7

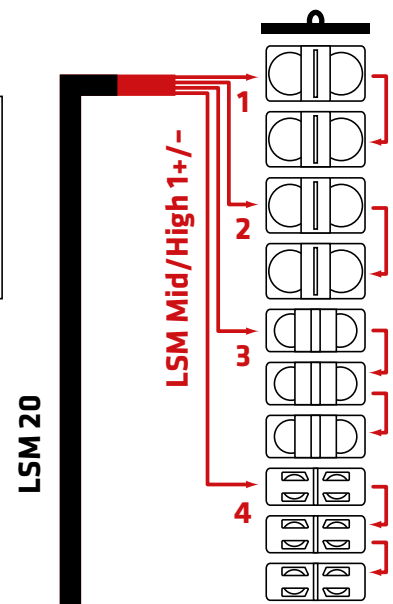
HF signal
1+/-

LF signal
2+/-

2x CS 118
= 1x CS 218



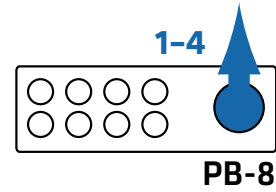
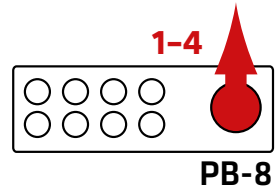
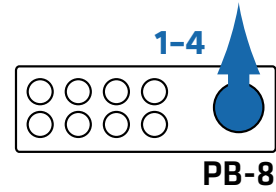
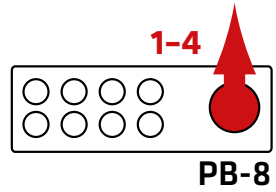
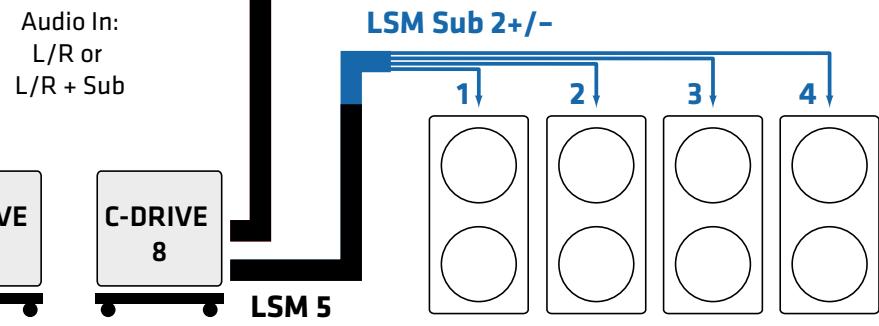
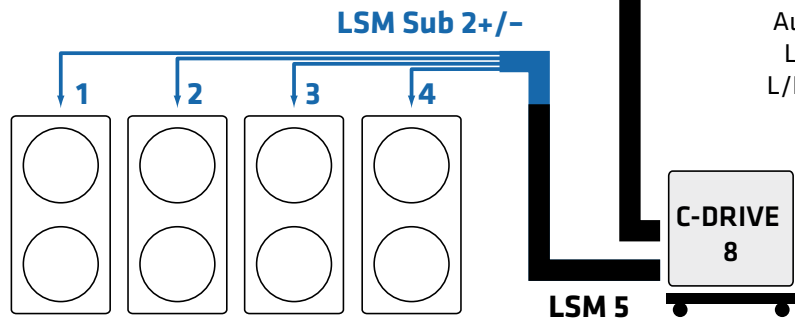
Setup:
8x C 10
6x C 8
6x C 6
8x CS 218



Total weight*:
1603 kg/
3534 lbs

*including cabinets, rigging hardware and amp racks

2.4 m / 94"			
WB 2	WB 2		
WB 2	WB 2		
C-WB	C-WB	C-WB	C-WB
CRF-80	C-DRIVE 8	C-DRIVE 8	
2.7 m / 106"			



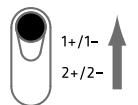
8

HF signal
1+/-

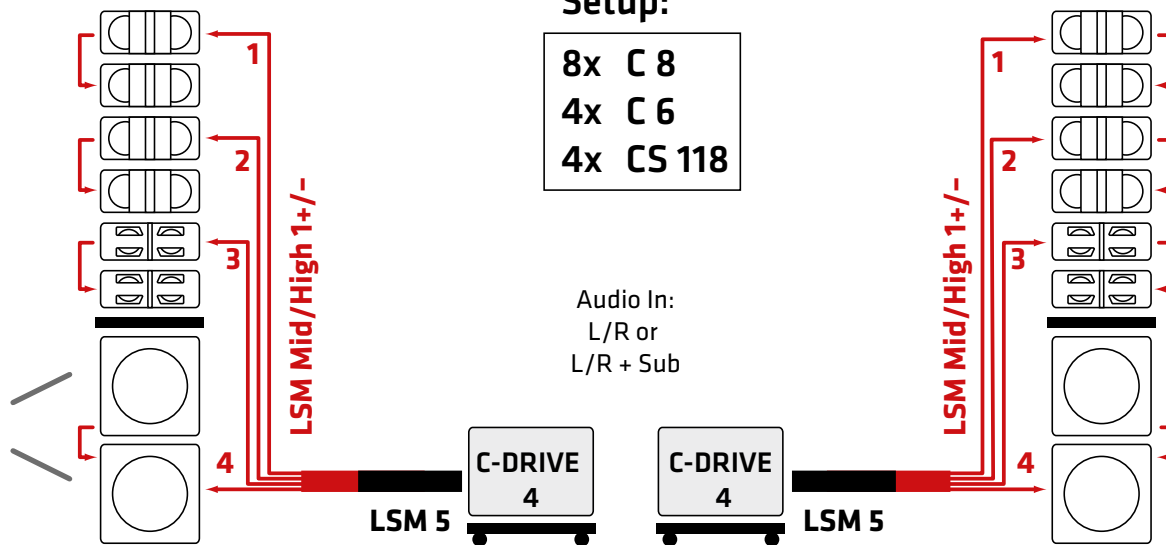
LF signal
1+/-

2x CS 118
= 1x CS 218

Pin assignment



Subs must be switched to 1+/-



Setup:
8x C 8
4x C 6
4x CS 118

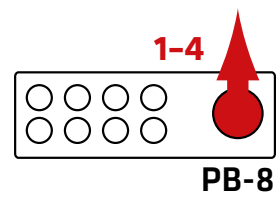
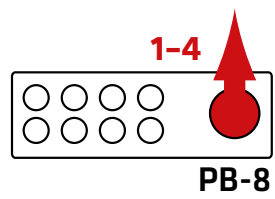
Audio In:
L/R or
L/R + Sub

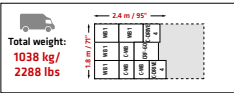
Total weight*:
723 kg / 1594 lbs

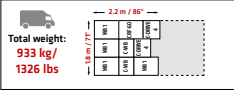
*including cabinets, rigging hardware and amp racks

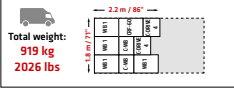
← 1.8 m / 71" →		
WB 1	WB 1	CRF-60
C-WB	C-WB	C-WB
C-DRIVE 4	C-DRIVE 4	

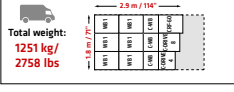
1.9 m / 75"




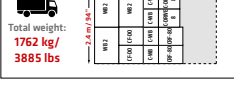
1  **Total weight: 1038 kg / 2288 lbs**


2  **Total weight: 933 kg / 1326 lbs**

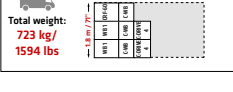
3  **Total weight: 919 kg / 2026 lbs**

4  **Total weight: 1251 kg / 2758 lbs**

5  **Total weight: 1702 kg / 3752 lbs**

6  **Total weight: 1762 kg / 3885 lbs**

7  **Total weight: 1603 kg / 3534 lbs**

8  **Total weight: 723 kg / 1594 lbs**

WB 1, WB 2, C-WB, C-DRIVE 4, C-DRIVE 8, CRF-60, CRF-80

COSMO

Rigging Manual 2.0

1	Notes on Rigging Safety.....	25
2	Planning Arrays.....	27
3	Intended Use.....	30
4	Rigging Hardware	31
5	Connecting Hardware and Curving Arrays.....	35
6	Curving in Compressed Mode.....	36
7	Curving in Fixed Mode	39
8	Setting Up a CF 118 Array.....	42
9	Setting Up Ground Stacks	44
10	Disassembling Flown Arrays	49

1 Notes on Rigging Safety



This symbol, wherever it appears, alerts you to the presence of a crush hazard. Be sure to perform every step correctly as instructed in the rigging manual to avoid pinch/crush injuries.



This symbol, wherever it appears, alerts you to the presence of hoisted heavy loads. In the event of a sudden fall or other uncontrolled movement, these loads can cause serious personal injury with potentially fatal consequences and considerable damage to property. Keep people out of the danger zone at all times. Follow the instructions in this manual.



Wear suitable headgear, gloves, and footwear during assembly to protect against mechanical hazards and injuries.

• Rigging hardware

Use the rigging hardware for no purpose other than to set up HK audio speaker cabinets in flown arrays or ground stacks. Do not hoist components other than those that are part of this system. Use HK Audio speaker cabinets only as intended with the original rigging hardware. Use only original replacement parts.

• Prerequisites for installing the COSMO Line Array

Use only 2006/42/EC-compliant, manufacturer-certified lifting accessories or, in countries beyond the 2006/42/EC directive's purview, equivalent devices as specified by local regulations.

Follow these installation instructions. The indicated working load limit cannot be guaranteed and the manufacturer will not be liable for damages in the event of improper installation or the use of unauthorized rigging hardware. The system's working load limit cannot be guaranteed and the manufacturer will not be liable for damages in the event that loudspeakers, rigging hardware, connecting and fastening components, or lifting accessories are modified in any way. Components affecting safety may only be repaired by the manufacturer or authorized agents; otherwise the operating permit will be voided.

Before installing the system, make sure the supporting structure and attachment points are suitable for this purpose and have the required load-handling capacity.

Do not exceed specified limits such as maximum working load limit and curvature and tilt angles. For more on this, please refer to the instructions in section 3, Intended Use.

When hoisting any load, make sure its center of gravity is directly below the attachment point or load-bearing component to protect against the hazard of a swinging load.

The operator is to ensure the individuals tasked with operation, assembly and disassembly, maintenance, inspection, and the like are qualified to perform the given task. Heed the specifications as to the intended use of the system and its components.

Designate only qualified specialists as set out in the rigging manual to assemble and disassemble the system. The operator is to determine and ensure the personnel tasked to do this have the necessary qualifications in keeping with the complexity of the fixed or mobile installation and the applicable local laws, regulations, and engineering rules. Train operating personnel in compliance with the instructions for use.

Provide adequate lighting during assembly and disassembly, cleaning, troubleshooting, maintenance, and repair. Heed Directive 89/654/EEC as transposed into local law.

• Curving in compressed mode

Use only tensioning devices such as ratchet or lashing straps with self-locking mechanisms, for example, hooks with a safety catch, to curve arrays. Make sure the tensioning device is able to gradually release tension, step by step. Keep a watchful eye on the system and beware of sudden and unexpected movements.

• Safe application

Installation is to be carried out by qualified personnel only, and only at attachment points with a sufficient working load limit. Heed the local building code and building regulations.

Do not stand below the system or between the system and walls, fixtures or any other surrounding object when hoisting, lowering, assembling, disassembling or otherwise moving the system. Caution, crush/pinch hazard: Do not reach in between parts of the system when hoisting and lowering it. Keep a watchful eye on the system and beware of sudden and unexpected movements.

Wear PPE (personal protective equipment) to protect hands and feet when assembling and disassembling the system. Everyone in the vicinity when setting up and tearing down, curving, or troubleshooting flown arrays is to wear protective headgear.

Use only suitable climbing aids such as ladders, scaffolds and the like. The sole responsibility for seeing to this lies with installing company.

The operator is obligated to allow only those persons to work with the rigging hardware who are:

- at least 18 years old
- physically and mentally able
- familiar with the basic rules of industrial safety and accident prevention
- trained to perform the given tasks. The same applies to assembly, disassembly, operation, maintenance, troubleshooting, maintenance, and inspection.

If there are signs of an approaching thunderstorm when setting up systems outdoors, determine if it is safe to do so and refrain from doing so if it is unsafe. If a thunderstorm arrives, stop all work on the system, ensuring no one touches conductive parts, and clear the area of people. Seek cover in a room or safe area, and continue monitoring weather forecasts.

Do not use the system or its components to hoist and secure people.

Clearly designate the responsibilities of personnel tasked to perform activities such as transporting, storing, putting into service, installing, dismantling, operating, maintaining, repairing, inspecting, and disposing of the system, and ensure the designated individuals are qualified to do so. If personnel lack the necessary qualifications, this work may be carried out under the supervision of qualified personnel in cases of extreme urgency. Immediately rectify defects and other damage that may impair safety.

Regularly check personnel for work safety awareness.

When attaching the rigging frame without a pick-point adapter, always do so with two suitable shackles fastened to the center perforated rails. Always use the pick-point adapter when attaching the rigging frame to a single load line.

Observe the permissible load angle when using two load lines. The wider the lines are splayed, the greater the load, especially when these lines are short. Never exceed the given lifting accessory's working load limit for the given load angle.

Secure fixed and mobile installations – in this case, speakers with rigging hardware – with two independent devices to prevent them from falling. You may dispense with this secondary safety device or arrest wire in cases where the attaching device is intrinsically safe, requires tools to unfasten, and is secured with a locking mechanism to prevent it

from disengaging on its own. Heed the applicable local laws, regulations, and engineering rules. Install safety features so as to ensure components cannot drop any distance. Safeties must be able to catch accessories or parts that are loose or may become loose. Heed local regulations when using fasteners, attaching devices and lifting accessories. Factor potential dynamic forces ('jerk' forces) into the equation when determining the proper size and load-bearing capacity of fastening devices.

Ensure all components in the load line – shackles and other lifting accessories, fasteners, tensioning devices, hoisting equipment, load-bearing equipment, load-bearing structures, and the like – are suited to the purpose and rated for the working load limits need to lift and hold the system in place. The area below the system is off limits; people may only enter it if all components in the load line are designed to be intrinsically safe.

Components that are not expressly intended for overhead use above people may be suitable if they hold a load no greater than half of the specified working load limit.

Observe the applicable local laws, regulations, and engineering rules.

Store materials securely on a stable surface. Keep fire extinguishing equipment and passageways clear and accessible, particularly emergency escape and rescue routes.

Do not step or climb on the system and its components.

If a flown system could be exposed to wind, use at least two suitable fasteners to secure it so as to prevent twisting and other unintentional movement. Make sure these fasteners exert no more force than necessary to prevent the system from moving significantly at safe operating wind speeds. Do not exert excessive force.

Do not deploy the system at unsafe wind speeds beyond the maximum allowable limit.

Remove or lower and secure the system before the wind reaches wind force 8 or gusts at 20 m/s. Plan, coordinate and document these measures. Constantly monitor weather forecasts.

The wind speed limit may be lower for the stage, PA tower or other primary supporting structure. If so, be sure to abide by it.

If the wind speed limit for a stationary or mobile system is exceeded, clear the danger zone and close off the wider surroundings. The system may not be dismantled at winds exceeding the limit.

• Speaker stands

Be sure to observe speaker stands' working load limit. Note that for reasons of design and construction, most speaker stands are approved to bear centric loads only; that is, the speakers' mass has to be precisely centered and balanced. Ensure speaker stands are set up stably and securely. Take appropriate added measures to secure speaker stands, for example, when:

- the floor or ground surface does not provide a stable, secure base
 - they are extended to heights that impede stability
 - high wind pressure may be expected
 - there is the risk that they may be knocked over by people
- Special measures may become necessary as precautions against unsafe audience behavior. Do not set up speaker stands in evacuation routes and emergency exits. Ensure corridors are wide enough and put proper barriers and markings in place when setting speaker stands up in passageways. Mounting and dismantling are particularly hazardous tasks. Use aids suitable for this purpose. Observe the applicable local laws, regulations, and engineering rules when doing so.

• Ground stacks

Stack speakers carefully so as not to damage or impair the components' physical integrity:

- Stack speakers on a level and firm floor or ground surface to ensure sufficient stability.
- If you wish to curve the stack to provide near-fill or bleacher coverage, make sure the stack's center of gravity remains well within the rigging frame.
- Secure the ground stack to prevent it from tipping.
- Do not stack more than the designated maximum number of speaker cabinets.
- Use the adjustable feet only to level the system. Make sure the base does not incline in any direction.
- Use the C-M20 adapter to prevent slippage.

• Improper use

Improper use of rigging frames and incorrect handling of this load-carrying equipment can pose a serious danger.

Never

- lift loads with a center of gravity that is not directly below, perpendicular to, and in line with the pickup point, or exert diagonal force on suspended loads
- use lifting equipment to forcibly dislodge stuck or immovable loads
- step on any part of the system
- carry, lift or secure people with parts of the system
- climb up the system
- strike, knock or dent the rigging frame or other parts of the system
- remain below the system or in the danger zone when it is moved, raised or lowered
- perform repairs on parts of the system other than those expressly permitted by the manufacturer
- exceed the system's and any other constituent components' working load limits
- operate the system in or with an unauthorized configuration, curvature or tilt angle
- use the rigging frame to suspend non-system speaker cabinets or other loads
- install the system with improperly or incompletely connected components
- use damaged components
- install the system to unstable structures or structures with insufficient load-bearing capacity
- install or operate the system at excess wind speeds or temperatures, or in the event of thunderstorms
- expose components to harmful substances such as acids and alkalis
- operate the system in areas with a potentially hazardous explosive atmosphere
- transport or store the system so as to expose it to heat, moisture, excessive mechanical stress, or other destructive forces
- modify the system or its components without the manufacturer's express consent

Serious dangers associated with improper use include:

- severe-to-fatal injuries caused by one or all components of the system falling or tipping
- severe-to-fatal injuries when people are crushed between the system and surrounding objects
- severe-to-fatal injuries when people fall
- severe-to-fatal injuries caused by lightning during thunderstorms
- injuries when limbs are caught between parts of the system
- injuries caused by the sharp edges of a damaged system
- injuries caused by colliding with or being struck by parts of the system

Always keep the area below the system clear of people, unless all of the following conditions are met:

Supporting structures, hoisting equipment, hoisting accessories, fasteners, and all other components used with the system must be suitable for overhead operation.

All components that are part of and used with the system must be in safe operating condition and have been inspected and verified by qualified personnel.

Do not move the system over people.

Do not use the CRF-PB pull-back frame as a load-bearing device.

• Inspection and maintenance

HEADS UP! Upon installation, inspect the flown array consisting of rigging hardware and speakers to make sure it is securely attached. The operator of stationary or mobile speaker systems is obliged to regularly inspect or have a qualified party regularly inspect all components in compliance with the applicable local laws, regulations, and engineering rules, and to have any damage repaired immediately. We strongly advise keeping log books or the like to document all inspections.

Be sure to take into account structures and surfaces' stability and working load limit when deploying speakers outdoors permanently or for longer periods – in particular, the effects of wind and temperature and the added load of snow and ice.

The operator is to carry out a risk assessment for the given application. Be sure to also assess the components and personnel's suitability, taking into account the given operating conditions and interactions with the working environment.

The operator is to arrange for the following inspections:

- Prior to the first use and regularly thereafter, a qualified/competent person is to inspect the rigging hardware's individual parts and the components to be deployed to make sure they are in safe operating condition.
- In the event of a fall, overloaded system components, or other unusual incidents that inflict damage, the operator is to arrange for a qualified person to perform an ad hoc inspection of the affected components.

Heed the applicable local laws, regulations, and engineering rules as to the type, timing and scope of inspections, taking into account the given operating conditions.

The following criteria are to be included in the scope of inspections conducted prior to the first use, at regular intervals, and after unusual incidents that inflict damage:

Condition, damage, cracks, deformation, corrosion, function, operability, wear, detachable connectors' fastening and securing action, the effectiveness of locks and stops, the completeness of connecting elements, the legibility of the type label and working load limit.

The interval between regular inspections is not to exceed one year. Be sure to document inspections.

Also have a competent person inspect rigging hardware components for visible damage, wear, proper function and the legibility of markings, and visually confirm their operating reliability prior to each use.

If the inspector finds defects that impair safety or markings that are no longer clearly legible, take this equipment out of circulation and do not use it again until it has been properly repaired.

Qualified personnel is to inspect hoists, lifting accessories, fasteners and other components used in connection with the rigging hardware in compliance with local regulations and the given manufacturer's specifications. This inspection is to be carried out at least once a year by qualified persons, and by competent persons prior to each installation.

Do not expose components to mechanical stress, moisture and heat during transport and storage.

Use only approved substances for cleaning as set out in section 3, Intended Use. Protect components against harmful substances such as acids and alkalis.

The system's components are to be repaired by the manufacturer or by a specialized company authorized by the manufacturer to do so.

• Disassembly

The array may be brought into a state of unstable equilibrium during disassembly. For this reason, relieve the tension on load-bearing equipment and lower hoisting equipment only to the extent necessary to remove one component at a time.

When releasing tensioning straps that curve an array, keep people out of the array's potential range of motion until the fastener is fully released.

• Hearing protection

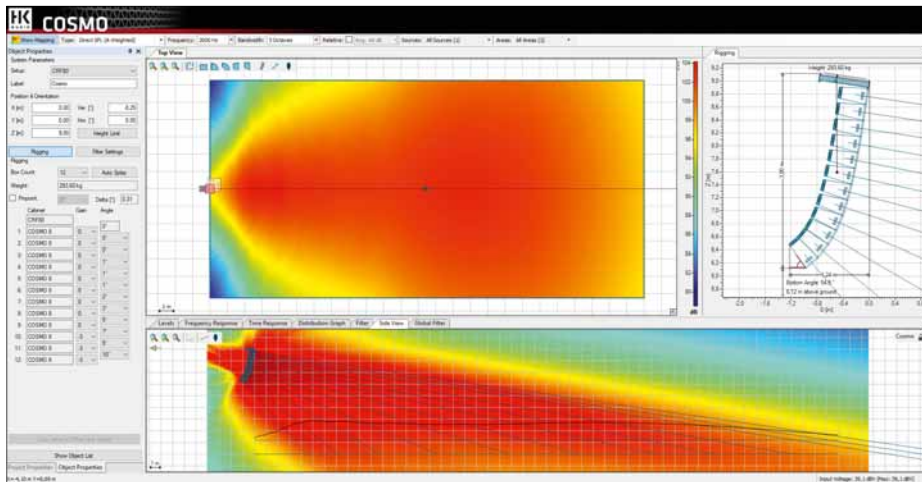
Professional loudspeaker systems can produce harmful volume levels. Even prolonged exposure to seemingly harmless levels starting at about 95 dBA SPL can cause permanent hearing loss. We recommend that everyone who is exposed to high volume levels produced by loudspeaker systems wears professional hearing protection (earplugs or earmuffs).

Manufacturer: Stamer Musikanlagen GmbH, Magdeburger Str. 8, 66606 St. Wendel, Germany

2 Planning Arrays

2.1 Acoustic modeling with EASE Focus 3

Before deploying a COSMO line array, plan its setup with EASE Focus 3. This simulation software lets you map specific areas to be covered or to be left uncovered by individual sound sources. Its views show you the direct SPL throw pattern and/or the signal-to-noise ratios for the various frequency ranges. With this information, you can make a general prediction about the COSMO line array's ability meet the given application's acoustical requirements. The software clearly displays the mid/high units and their set angles once you align them as you see fit in the simulation. We recommend having a printout or screenshot of these angles at hand when you go to set up the array.



2.2 Ground stacks

When using the CRF-60/CRF-80 to stack speakers on the ground, do not place more than six C 6, C 8, or C 10 units on top of one another, and no more than three C 6, C 8, or C 10 units when using the CRF-PB. Note that EASE Focus 3 will not accept higher numbers than that.

2.3 Mechanical limits

The CRF-80 rigging frame can hold no more than 20 C 6, 20 C 8, or 14 C 10 units. The CRF-60 can hold up to 14 C 6, 14 C 8, or 10 C 10 units. This rigging hardware is designed for standard array curvatures.

• Scenarios to determine limits as calculated by a structural engineer

We had a structural engineer investigate typical applications to our specifications. The tables on the following pages list these scenarios, indicating utilization ratios for the respective scenarios in percentages.

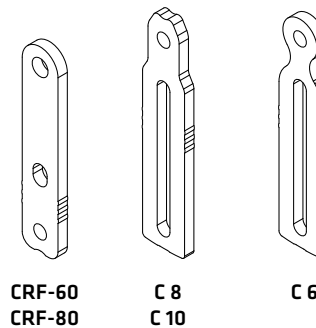


Uptilt and downtilt are the terms we use to describe the rigging frame's maximum permissible upward and downward angles of inclination for each configuration.

The following applies to these scenarios that define the respective limits:

- C 8 or C 6 M/H units can always replace C 10 M/H units.
- C 6 M/H units can always replace C 8 M/H units.
- Do not exceed the number of M/H units indicated in these examples.
- Do not exceed the overall down-tilt angle in the example scenario.
- Do not exceed the specified downtilt angles (range 0 to X°)
- Do not set uptilt angles any lower than indicated (range 0 to -X°)
- Never set angles between M/H units any lower than specified.
- Every scenario not addressed by these examples has to be reviewed and validated separately.

⚠ The calculations for utilization ratios (in %) given in the two tables below are based on the updated flaps. You can identify these by their outer markings as shown in the figure below.

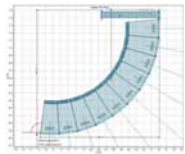
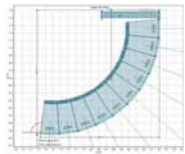
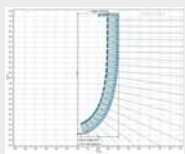
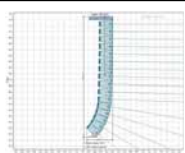

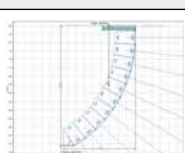


CRF-60
CRF-80

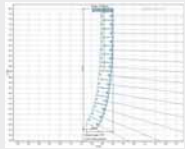
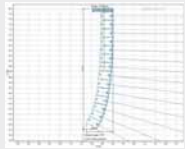
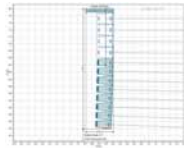
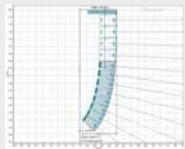
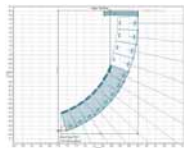
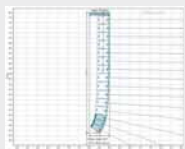
C 8
C 10

C 6

2.4 Scenarios to determine mechanical limits

No.	Type	Number of M/H units	Array angle configuration		Weight	Bottom angle at 0°	Mode	Utilization by frame angle					
								Straight		Downtilt		Uptilt	
								Utilization by load-bearing capacity	Angle	Utilization by load-bearing capacity	Permissible angle of inclination	Utilization by load-bearing capacity	Permissible angle of inclination
1	C 8	10	1x0°, 9x10°		251.4 kg	96.8°	Fixed Mode Compressed Mode	48% 53%	0° 0°	53% 61%	-4.55° -4.55°	36% 26%	31.61° 31.61°
2	C 8	20	6x0°, 3x1°, 3x2°, 1x3°, 1x4°, 1x5°, 1x6°, 1x7°, 1x8°, 2x9°		479.4 kg	68.8°	Fixed Mode Compressed Mode	62% 52%	0° 0°	100% 96%	-6.66° -6.66°	41% 47%	8.80° 8.80°
3	C 8	16	11x0°, 5x7°		388.2 kg	43.0°	Fixed Mode Compressed Mode	29% 25%	0° 0°	79% 62%	-12.68° -12.68°	34% 35%	5.95° 5.95°
4	C 10	14	14x0°		474.9 kg	5.6°	Fixed Mode Compressed Mode	33% 27%	0° 0°	99% 52%	-11.57° -11.57°	42% 54%	4.59° 2.50°
5	C 10	10	1x0°, 9x6°		345.9 kg	58.8°	Fixed Mode Compressed Mode	66% 50%	0° 0°	75% 57%	-3.23° -3.23°	40% 34%	21.58° 21.58°

SF γ = 2,7

No.	Type	Number of M/H units	Array angle configuration		Weight	Bottom angle at 0°	Modus	Utilization by frame angle					
								Straight		Downtilt		Uptilt	
								Utilization by load-bearing capacity	Angle	Utilization by load-bearing capacity	Permissible angle of inclination	Utilization by load-bearing capacity	Permissible angle of inclination
6	C 10	14	4x0°,5x1°,1x2°,1x3°,1x4°,2x6°		474.9 kg	31.6°	Fixed Mode Compressed Mode	47% 30%	0° 0°	100% 70%	-9.50° -9.50°	41% 41%	6.93° 6.93°
7	C 10 + C 8	4+8	12x0°		334.8 kg	7.2°	Fixed Mode Compressed Mode	20% 18%	0° 0°	64% 37%	-16.26° -16.26°	29% 53%	5.58° 3.00°
8	C 10 + C 8	4+8	2x0°,2x1°,3x2°,1x3°,1x4°,1x5°,1x6°,1x8°		334.8 kg	41.2°	Fixed Mode Compressed Mode	31% 19%	0° 0°	67% 51%	-13.92° -13.92°	29% 28%	9.24° 9.24°
9	C 10 + C 8	4+8	1x0°,11x6°		334.8 kg	73.2°	Fixed Mode Compressed Mode	65% 56%	0° 0°	72% 62%	-2.91° -2.91°	40% 33%	22.38° 22.38°
10	C 10 + C 8	12+3	10x0°,2x2°,1x6°,1x7°,1x8°		478.8 kg	32.8°	Fixed Mode Compressed Mode	36% 31%	0° 0°	100% 67%	-11.14° -11.14°	42% 23%	4.94° 4.94°

SF γ = 2,7

3 Intended Use

• Rigging and curving

Please read these instructions carefully before setting up and always keep them at hand when working on or with the system!

Use

• Intended use

This rigging hardware consisting of the CRF-60 and CRF-80 rigging frames, C-PPA pick-point adapter, CRF-PB pull-back frame, and C-STR tensioning strap is intended for installing the HK Audio COSMO series and CF 118 subwoofer in a flown array, permanently or temporarily, in compliance with the manufacturer's specifications.

The rigging frame may also serve to stack COSMO M/H units on the ground in compliance with the manufacturer's specifications.

Any use other than specified is unintended. The manufacturer shall not be liable for damages resulting from unintended use.

Note that the specifications for intended use require you to read and heed all of the operating instructions and comply with inspection and maintenance requirements.

Heed all applicable local laws and regulations.

Use EASE Focus 3 software to model the configuration and loads prior to installation.

Follow the rigging manual's instructions to assemble and disassemble the system. Ensure connections are made properly by fully and completely inserting the quick-release pins, with three attachment points per M/H unit and four for the CF 118.

In compressed mode, tighten the tensioning device (e.g. tensioning strap) between the rigging frame and pull-back frame only to the extent necessary to achieve the desired curvature. Do not exert excess force on the system's components when tightening the tensioning device.

• Warranty and liability

HK Audio shall not be held responsible for damages due to improper use or failure to comply with the safety specifications in the operating manual and rigging manual.

All warranty and liability claims for personal injury and property damages are excluded if attributable to one or several of the following causes:

- failure to comply with operating manual instructions, voiding product liability and warranty claims
- unintended use and misuse of rigging frames
- failure to comply with the instructions in the operating manual and rigging manual as to the transport, storage, initial setup, installation, disassembly, operation, maintenance, repair, inspection, and disposal of the system's components
- unauthorized structural modifications to parts of the system
- unauthorized modification of the parameters specified in the operating manual
- inadequate or improper repairs

Storage, maintenance, inspection and repair of rigging hardware

• Storage and safekeeping when not in use

When the rigging hardware is not in use, store it in a safe place where it is protected against exposure to potentially harmful elements.

• Maintenance

You are authorized to replace easily serviceable wearing or standard parts in accordance with the manufacturer's instructions. Use original parts for this purpose. Tighten screws and bolted connections whenever necessary.

• Cleaning

Use mild liquid soap or similar cleaning agents only to clean the rigging hardware. Protect components against aggressive substances such as acids or strong alkalis.

• Repair

In the event that parts of the load-carrying equipment have been deformed, it is up to the manufacturer to determine if they are repairable.

Solely the manufacturer is authorized to perform welding and repair jobs on load-carrying equipment.

Technical specification for COSMO rigging hardware

• Working load limits

CRF-60 rigging frame 350 kg

CRF-80 rigging frame 700 kg

C-PPA pick-point adapter 1000 kg

Static test coefficient: 2.7 (the ratio of applied proof-load to the working load limit)

Ambient operating temperature range: -10° to +60 °C

Wind speed limits: <8 B, gust speed <20 m/s

• Maximum number of flown M/H units

The CRF-80 can accommodate up to twenty C 8s, twenty C 8s or fourteen C 10s. The CRF-60 can accommodate up to fourteen C6s, fourteen C 8s or ten C 10s. The rigging hardware is designed for common curved arrays. Please note the examples in the overview on page 27.

Be sure to add the weight of motors, cables and other hoisting gear when determining flown loads.

• Modifications to COSMO rigging hardware

No structural modifications may be made without the manufacturer's consent. This applies especially to welding work performed on load-bearing parts. Such alterations require the manufacturer's written approval.

• Original HK Audio accessories

Use original HK Audio accessories only. Using non-original aftermarket parts voids the manufacturer's product liability. Parts are to be installed as stated in the rigging manual. Store all documents pertaining to the system in a safe place.

Wind force (B)	Speed (m/s)	Description	Perceptible effects
0	$v < 0,51$	Calm	Calm, smoke rises vertically
1	$0,51 \leq v < 2,06$	Light air	Direction shown by smoke drift but not by wind vanes
2	$2,06 \leq v < 3,60$	Light breeze	Wind felt on face; leaves rustle; wind vane moved by wind
3	$3,60 \leq v < 5,66$	Gentle breeze	Leaves and small twigs in constant motion; light flags extended
4	$5,66 \leq v < 8,23$	Moderate breeze	Raises dust and loose paper; small branches moved
5	$8,23 \leq v < 11,32$	Fresh breeze	Small trees in leaf begin to sway; crested wavelets form on inland waters
6	$11,32 \leq v < 14,40$	Strong breeze	Large branches in motion; whistling heard in telegraph wires; umbrellas used with difficulty
7	$14,40 \leq v < 17,49$	High wind, moderate gale, near gale	Whole trees in motion; inconvenience felt when walking against the wind
8	$17,49 \leq v < 21,09$	Gale, fresh gale	Twigs break off trees; generally impedes progress
9	$21,09 \leq v < 24,69$	Strong/severe gale	Slight structural damage (chimney pots and slates removed)
10	$24,69 \leq v < 28,81$	Storm, whole gale	Seldom experienced inland; trees uprooted; considerable structural damage
11	$28,81 \leq v < 32,92$	Violent storm	Very rarely experienced; accompanied by widespread damage
12	$v \geq 32,92$	Hurricane force	Devastation

v = velocity

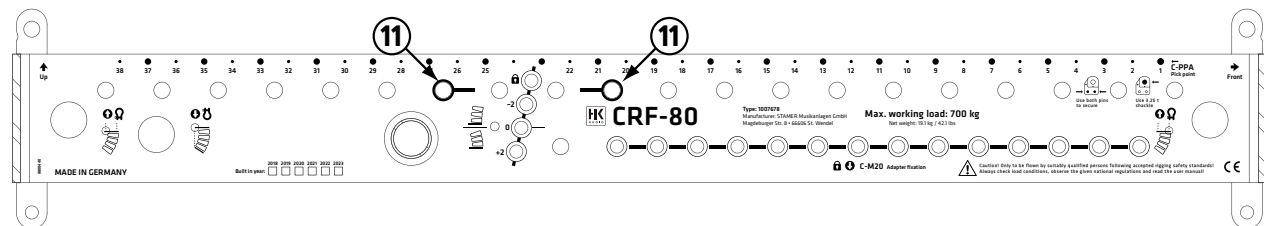
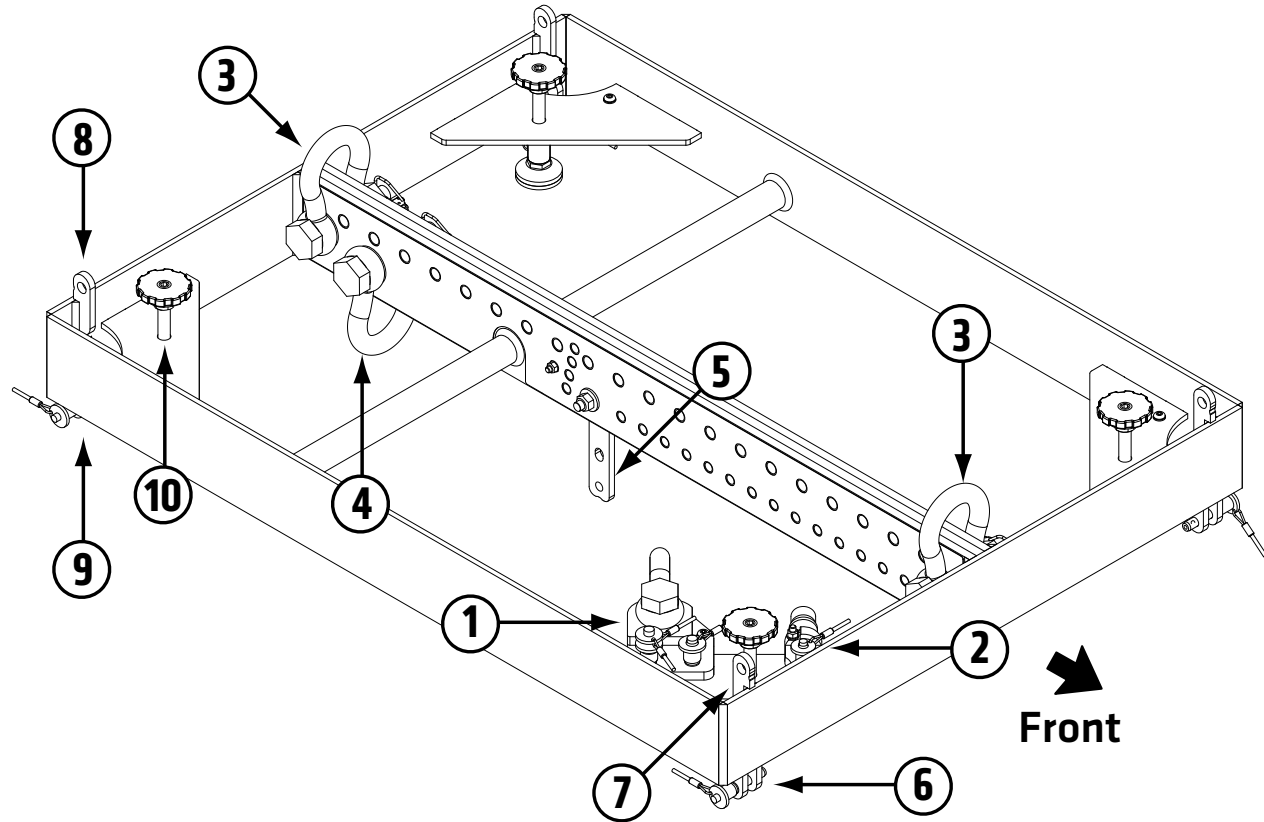
4 Rigging Hardware

4.1 CRF-80 COSMO rigging frame

The COSMO CRF-80 serves as a rigging frame for all COSMO M/H units and for the CF 118. Able to hold up to 700 kg, it is used for large COSMO setups and for flown arrays with an added CF 118. In combination with the C-M20 adapter, this frame connects C SUB and COSMO M/H units in ground stacks.

Dimensions: 780 x 137 x 600 mm
Weight: 19.1 kg

- ① C-PPA pick-point adapter (in parking position)
- ② C-M20 adapter (in parking position)
- ③ Shackle pickup point for attaching suitable hoisting gear (two-point suspension) or secondary safeties
- ④ Shackle pickup point for securing the tensioning strap in compressed mode
- ⑤ Flap to connect an M/H unit's angle plate with the rigging frame
- ⑥ Front attachment point for mounting an M/H unit or a CF 118 to a flown array
- ⑦ Front attachment point for mounting COSMO M/H units or a CF 118 in a ground stack or connecting a CF 118 and a COSMO M/H unit to a flown array
- ⑧ Rear attachment point on a CF 118 when the frame serves as an adapter between a CF 118 and a COSMO M/H unit, or for ground stacks with the rigging frame and CF 118
- ⑨ Rear attachment point of a CF 118 in a flown array
- ⑩ Adjustable foot for leveling ground stacks
- ⑪ Marker to position the C-GSA ground stack adapter correctly




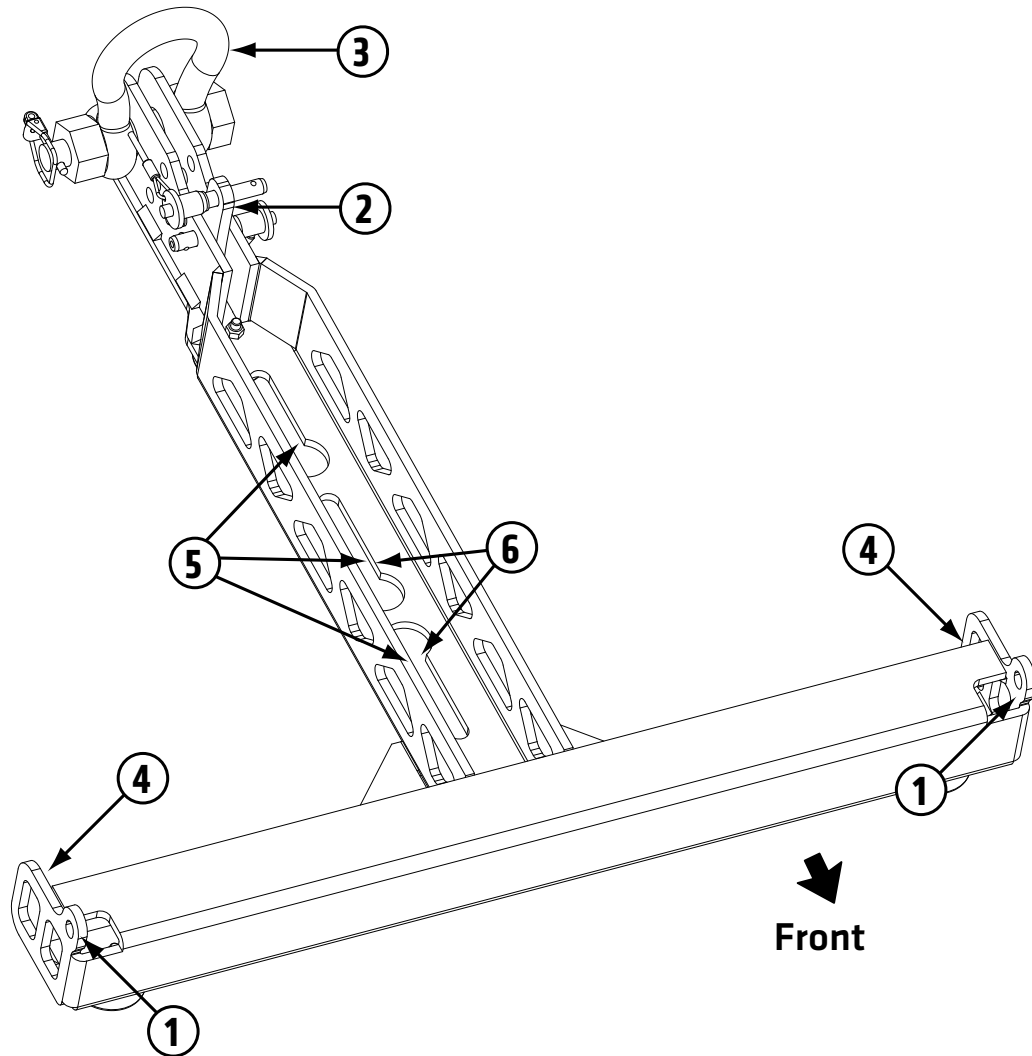
4.3 CRF-PB pull-back frame

The CRF-PB pull-back frame is used for compressed mode rigging with a tensioning strap, to mount no more than two COSMO M/H units on speaker stands, and to set up small ground stack applications with up to three M/H units.

Dimensions: 534 x 86 x 526 mm
Weight: 5.0 kg

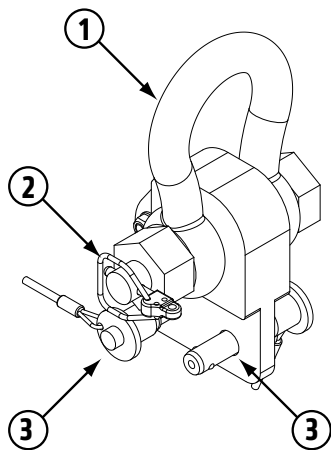
- ① Front attachment point for mounting the frame below a COSMO M/H unit
- ② Spacers for attaching the frame to a COSMO M/H unit's angle plate
- ③ Shackles for attaching the tensioning strap
- ④ Attachment point for ropes to keep the flown array from twisting
- ⑤ Keyhole rail for attaching the C-M20 adapter to a C SUB series subwoofer
- ⑥ Keyhole rail for attaching a pole mount adapter to place a cabinet on a speaker stand

 **Heads up:** Heed the manufacturer's specifications as to speaker stands' maximum centric load handling when mounting speaker stands. If necessary, secure the speaker stand to prevent from tipping.

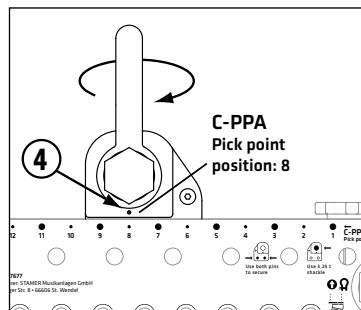
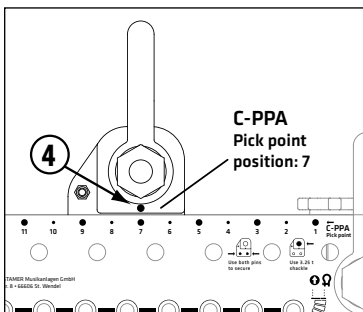


4.4 C-PPA pick-point adapter

The pick-point adapter serves to attach chain hoists and other suitable hoisting equipment to the rigging frame. It allows for variable positioning so you can adjust the array to the desired inclination. EASE Focus 3 simulation software tells you which pick-point to use.

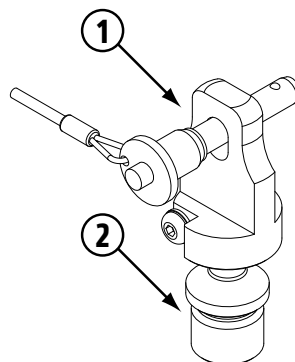


- ① Shackle for attaching a chain hoist
- ② Shackle locking device
- ③ Quick-release pin to attach the C-PPA in the rigging frame's center mounting rail
- ④ Indicator point to show if the C-PPA has to be rotated 180°



4.5 C-M20 adapter

The C-M20 adapter serves to securely connect the rigging frame or pull-back frame to C SUB subwoofers in ground stacks.

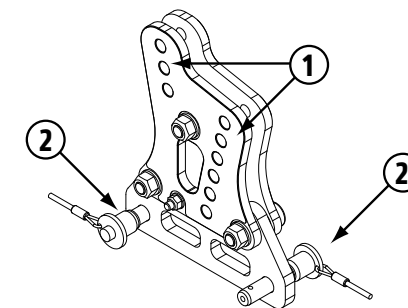


- ① Quick-release pin to attach the C-M20 in the rigging frame's center mounting rail
- ② M20 threaded insert for attaching the sub-adapter to a C SUB subwoofer's M20 pole mount

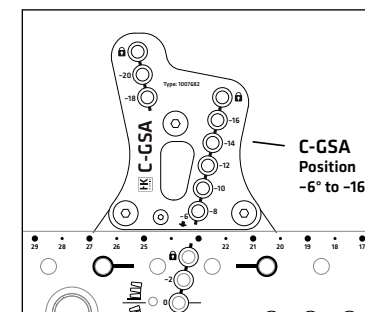
To mount the frame, screw the C-M20 adapter into the subwoofer's M20 threaded sleeve. Attach the rigging frame by inserting the C-M20 sub-adapter's quick-release pin at the desired position in the bottom line of holes.

4.6 C-GSA ground stack adapter

The ground stack adapter lets you attach and tilt mid/high units in the rigging frame for ground stacks. You have a choice of nine angles for aiming speakers to suit the given application.



- ① Holes to adjust the tilt angle
- ② Quick-release pin to attach the C-GSA in the rigging frame's center mounting rail



4.7 C-STR tensioning strap (not shown)

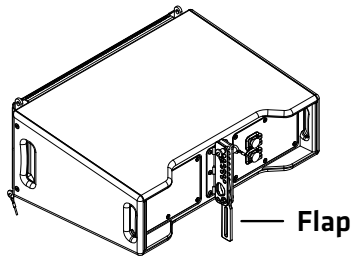
The COSMO tensioning strap attaches to the pull-back frame's shackle to curve the array in compressed mode. This is a heavy-duty variant with a length of five meters and a belt slip control. The ratchet may be released step by step.

5 Connecting Hardware and Curving Arrays

5.1 General information on connections

Flown arrays

A three-point system serves to connect COSMO line array's M/H units and rigging hardware. Two front-side, top and bottom attachment points connect the front of the components. The rigging hardware for the rear load line consists of an angle plate and flap at the back each M/H unit.



The flap links the individual components and is always attached to the angle plate of the bottom M/H unit in compressed or fixed mode. The M/H units C 6 and C 8 may be tilted by up to 10° in 1° steps. The maximum angle for the C 10 is 6°.

A four-point system without a tilt option serves to attach the CF 118 subwoofer to the CRF-80.

Transport

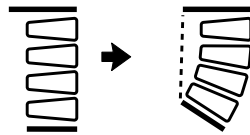
Store and transport the M/H units at a 0° angle on the C-WB wheel board. This way, you can connect the package of stowed M/H units directly to the rigging frame in compressed mode for fast, easy assembly. All loads are to be lifted by a chain hoist.

In ground stacks

In ground stacks, the individual components have to be connected to each other in fixed mode. The M/H unit's flap attaches directly to the rigging frame, to the C-GSA ground stack adapter, or to the angle plate of the COSMO M/H unit below it.

5.2 Compressed mode vs. fixed mode

Compressed mode



When rigging in compressed mode, first set up the line array at a 0° angle with the tilt of the individual M/H units preset on the angle plate. Then angle the array by tightening the C-STR tensioning to exert force on the pull-back frame.

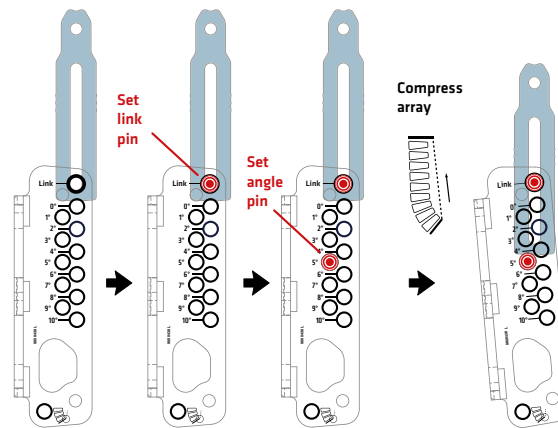
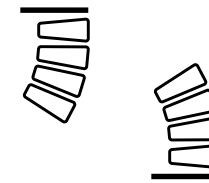


Fig: A 5° angle in compressed mode (for flown arrays only)

Fixed mode



In fixed mode, the individual parts are connected at a fixed angle, so you do not need a tensioning strap.

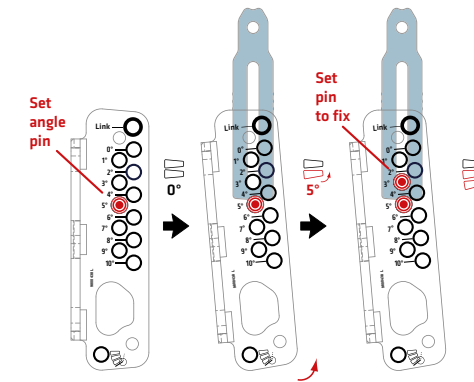


Fig: A 5° angle in fixed mode (flown)

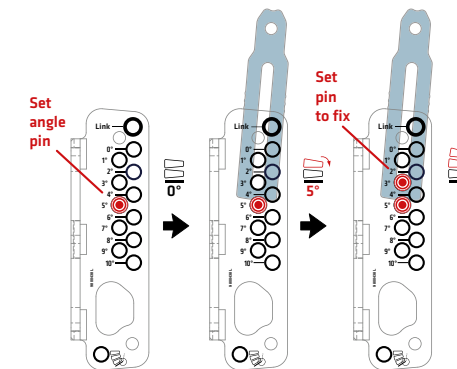


Fig: A 5° angle in fixed mode (ground stack)

6 Curving in Compressed Mode



Heads up: Setting up and tearing down arrays can be dangerous. People may get hurt and property damaged if the rig or parts thereof fall, move in unexpected ways, or are improperly assembled and disassembled. Make sure quick-release pins, shackles and all other connecting components in the load line are properly engaged and secured to prevent them from loosening.

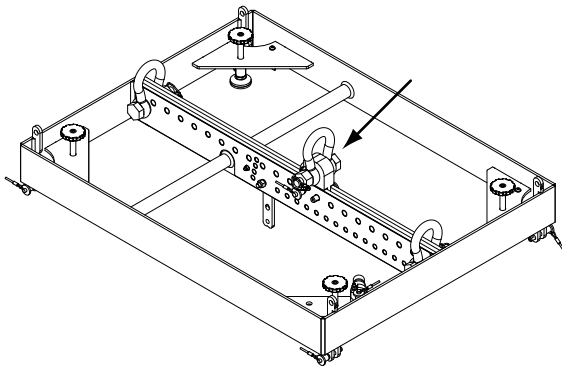


Wear suitable protective headgear, gloves and footwear when assembling and disassembling the array.

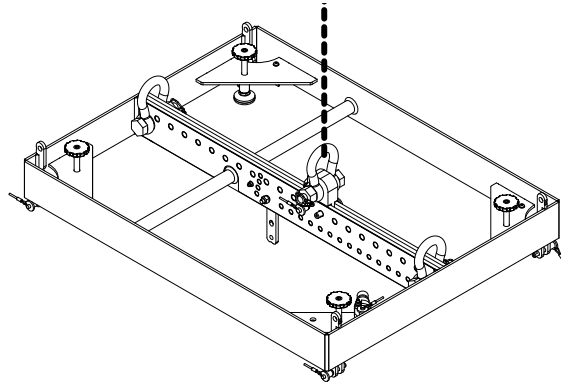
The following instructions and illustrations apply to both the CRF-60 and CRF-80.

Note: These instructions for curving an array in compressed mode assume the mid/high units are mounted on the C-WB wheel board.

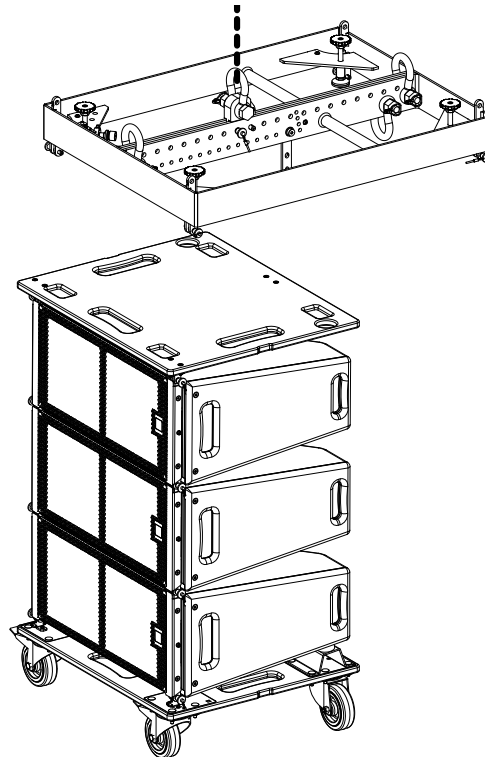
- 1 Attach the C-PPA pick-point adapter by inserting its two quick-release pins into the desired positions in the rigging frame's center mounting rail.



- 2 Connect the chain hoist or other hoisting equipment to the C-PPA's shackle.

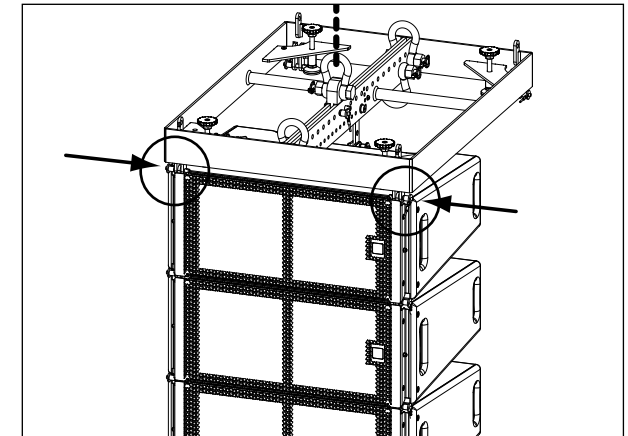


- 3 Lift the rigging frame until there is sufficient clearance for the first C-WB wheel board to slide under it.

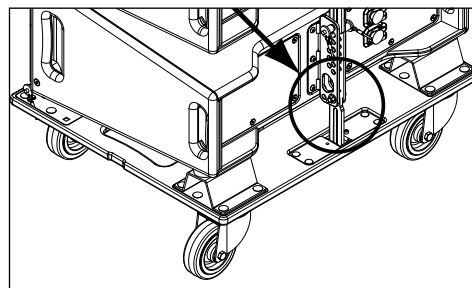
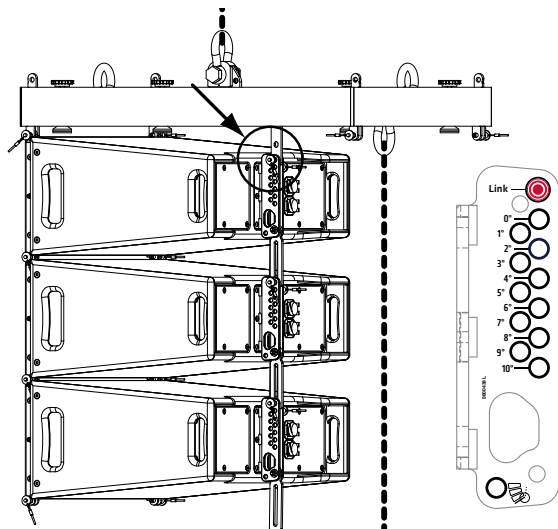


Heads up: You may dispense with a secondary safety device or arrest wire in cases where the attaching device is intrinsically safe, requires tools to unfasten, and is secured with a locking mechanism to prevent it from disengaging on its own. Be sure to heed the applicable local laws, regulations, and engineering rules.

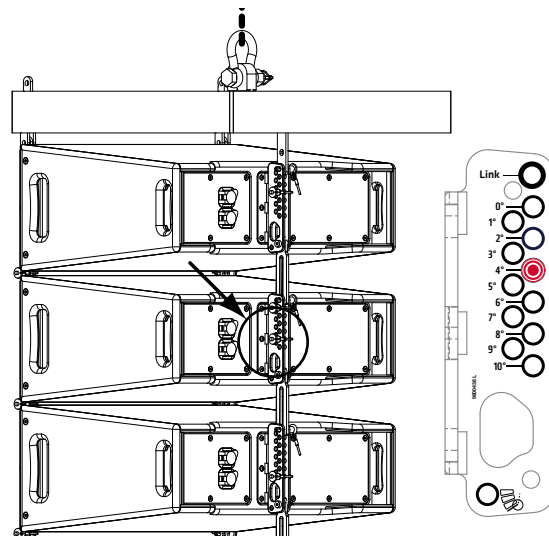
- 4 First remove the C-WB's cover; then connect the top M/H unit to the rigging frame by inserting the two quick-release pins on the frame into the attachment points.



5 Attach the rigging frame's flap using the hole labeled link in this M/H unit's rear angle plate. Now insert the loose end of the tensioning strap with the crane hook into the rigging frame's lower shackle.

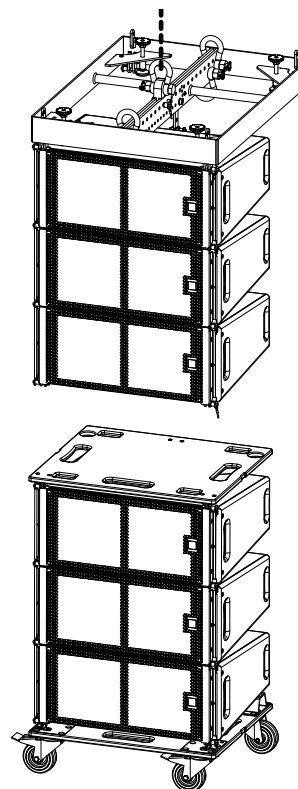


7 Now set all mid/high units' angle pins to the desired position on the angle plate (see the pictured example for a 4° angle).

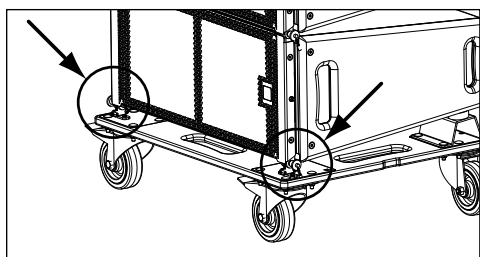


Heads up: Remove and replace angle pins only when the array is suspended and there is no load on them; otherwise, you run the risk of pinch/crush injuries.

8 Raise the array just high enough for the next C-WB to slide in below it.



6 Remove the quick-release pins of the lowest M/H unit on the C-WB and lift the array until the entire load is suspended from the lifting accessories and link pins.

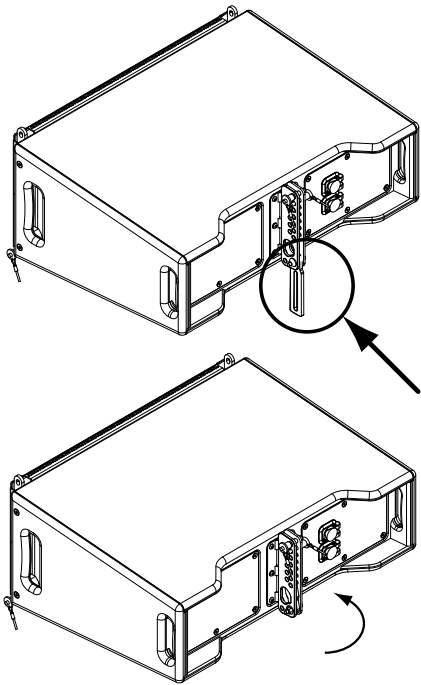


9 Remove the C-WB's cover and insert the quick-release pins to connect the front sides of the M/H units (see step 4 above).

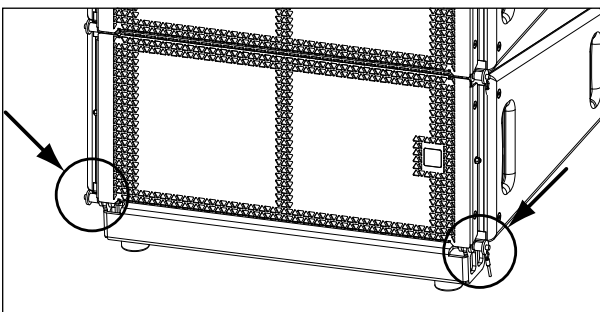
10 Attach the flap of the lowest suspended M/H unit to the link hole of the top M/H unit on the C-WB (see step 5 above).

Repeat steps 6 through 10 until all components required for the speaker array are connected.

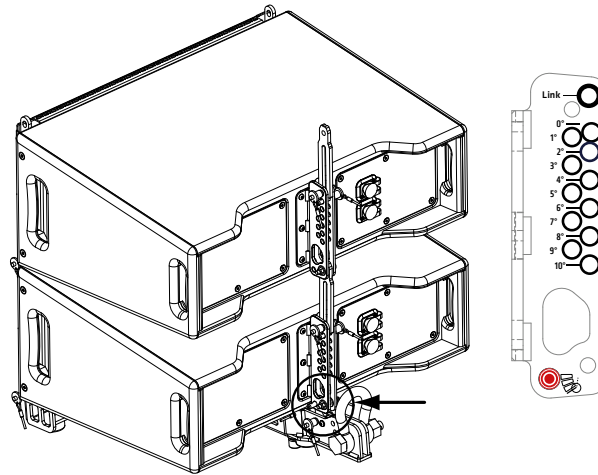
11 Fold the flap of the lowest M/H unit in the array over into the angle plate to set it the parking position.



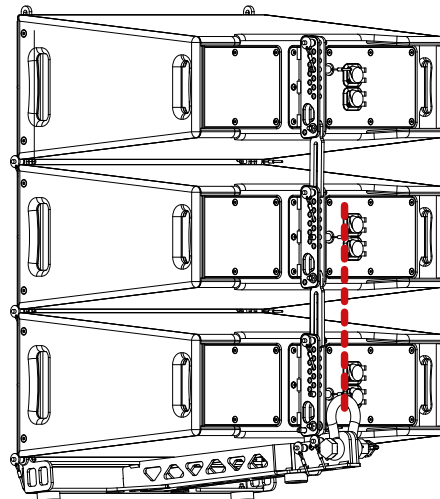
12 Insert the two quick-release pins to attach the CRF-PB to the lowest M/H unit in the array.



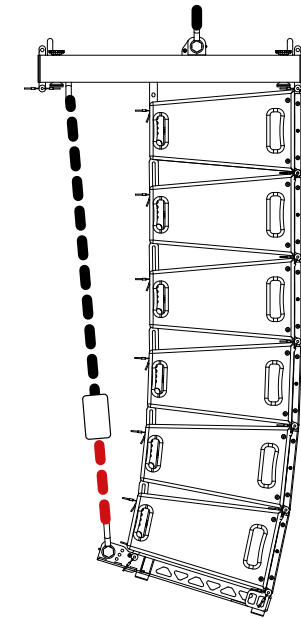
13 Insert quick-release pins to attach the pull-back frame's spacer adapter at the proper position in the M/H unit's angle plate.





14 Hook the red tensioning end of the tensioning strap into the CRF-PB's rear shackle and connect the loose and tensioning ends of the strap.



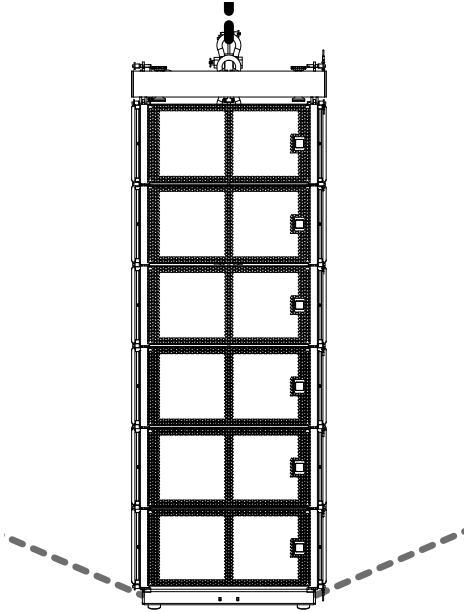
15 Engage the tensioning strap's ratchet until all flaps are fully attached to the angle pins and you arrive at the desired preset curvature.



 **Heads up:** Always keep the area below the system clear of people when raising or lowering it.

 **Heads up:** You will feel some resistance when the flaps mid/high units butt up against the angle pins. Do not tighten the strap any further as this may damage the rigging hardware.

- 16 You may fasten ropes to the pull-back frame's attachment points to tie the array to truss bars or the like to prevent it from twisting in the wind.



Note: Use only ropes with sufficient tensile strength to this end. Carabiner or snap hooks are suitable for attaching ropes.

7 Curving in Fixed Mode



Heads up: Setting up and tearing down arrays can be dangerous. People may get hurt and property damaged if the rig or parts thereof fall, move in unexpected ways, or are improperly assembled and disassembled. Make sure quick-release pins, shackles and all other connecting components in the load line are properly engaged and secured to prevent them from loosening.

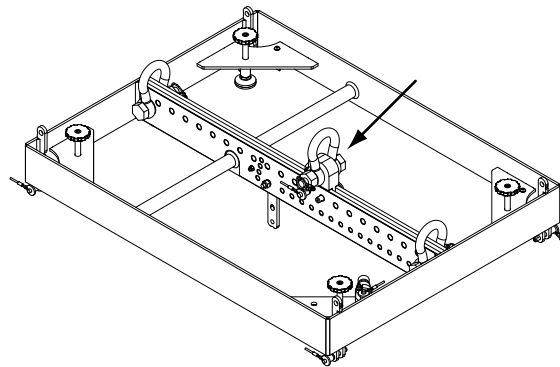


Wear suitable protective headgear, gloves and footwear when assembling and disassembling the array.

The following instructions and illustrations apply to both the CRF-60 and CRF-80.

Note: Easy, safe rigging in fixed mode requires at least two people.

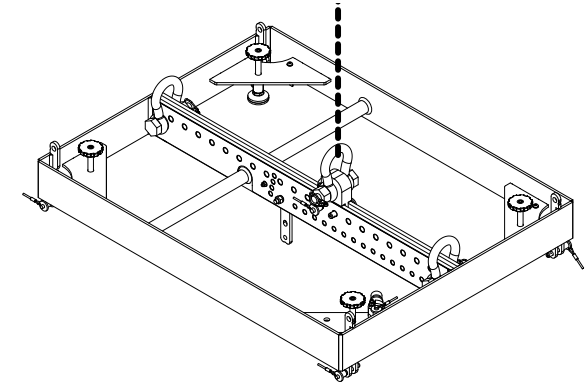
- 1 Attach the C-PPA Pick-point adapter by inserting its two quick-release pins into the desired positions in the rigging frame's mounting rail.



- 2 Connect the chain hoist or other hoisting equipment to the C-PPA's shackle and lift the rigging frame to a convenient working height.

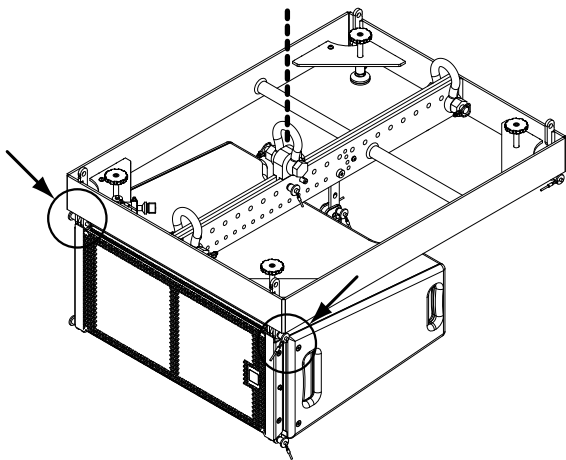


Heads up: You may dispense with a secondary safety device or arrest wire in cases where the attaching device is intrinsically safe, requires tools to unfasten, and is secured with a locking mechanism to prevent it from disengaging on its own. Be sure to heed the applicable local laws, regulations, and engineering rules.

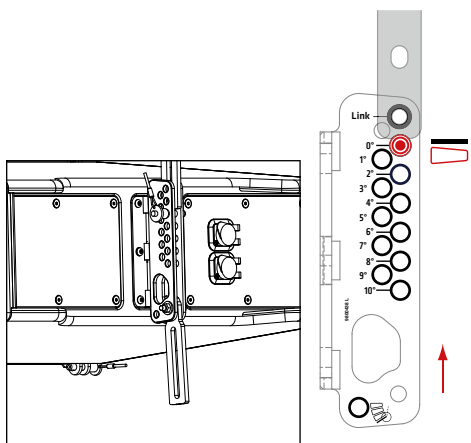


- 3 Insert the individual angle pins at the desired position and remove the fix pin from the M/H unit's angle plate before attaching each M/H unit.

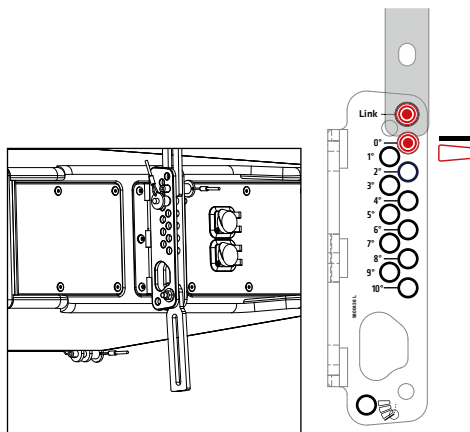
4 Insert the two quick-release pins that come with the rigging frame to attach the first M/H unit to the rigging frame's front attachment points.



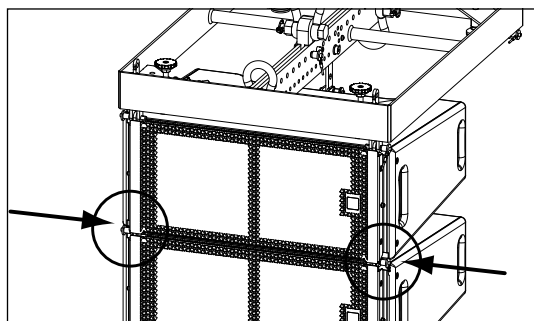
5 Insert the rigging frame's flap into the M/H unit's angle plate and lift it until the flap meets the angle pin.



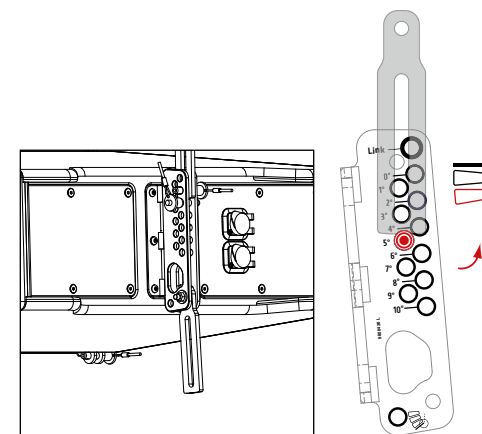
6 Insert the fix pin to secure the connection between the rigging frame and the first M/H unit.



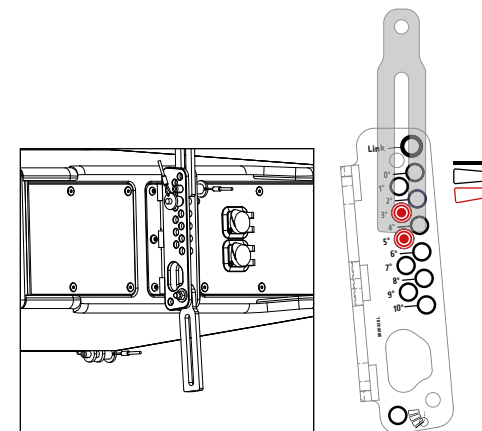
7 Insert the quick-release pins to connect the front attachment points of this mid/high unit to the next mid/high unit.



8 Insert the flap of the top M/H unit into the angle plate of the next M/H unit. Raise the M/H unit until the flap meets the angle pin (see the pictured example for a 5° angle).

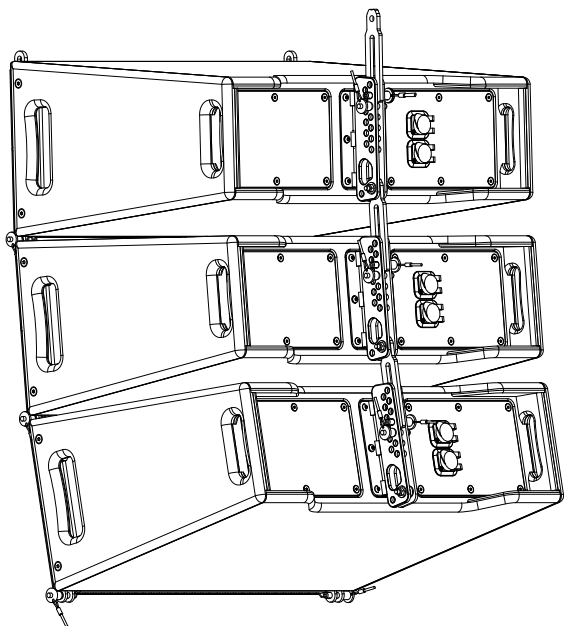


9 Insert the fix pin to secure the connection between these two M/H units.

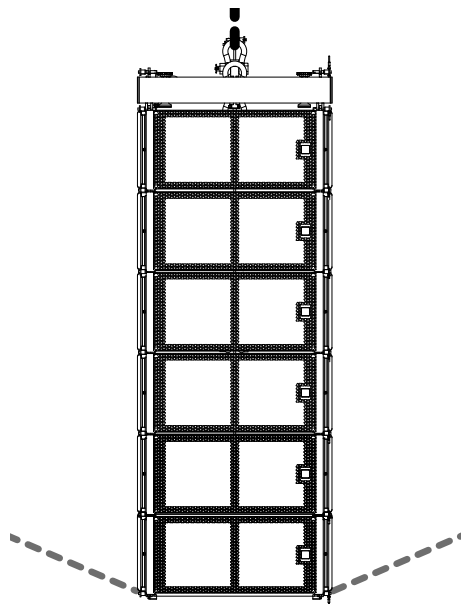


Note: The angle between the frame and the first M/H unit should be 0°, the same angle as used in GLL data sets.

10 Connect all further M/H units, one after the other, as described in steps **7** to **9** above until all M/H units intended for this array are connected.



11 You may fasten ropes to the pull-back frame's attachment points to tie the array to truss bars or the like to prevent it from twisting in the wind.



Heads up: Always keep the area below the system clear of people when raising or lowering it.

Note: Use only ropes with sufficient tensile strength to this end. Carabiner or snap hooks are suitable for attaching ropes.

8 Setting Up a CF 118 Array

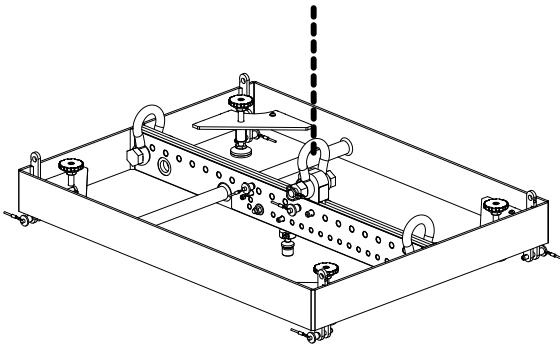
! Heads up: Setting up and tearing down arrays can be dangerous. People may get hurt and property damaged if the rig or parts thereof fall, move in unexpected ways, or are improperly assembled and disassembled. Make sure quick-release pins, shackles and all other connecting components in the load line are properly engaged and secured to prevent them from loosening.



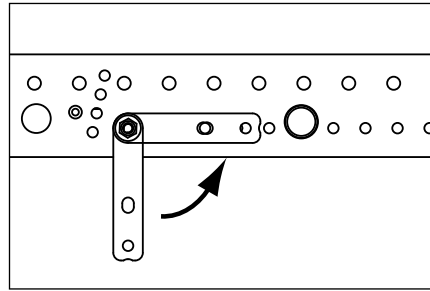
Wear suitable protective headgear, gloves and footwear when assembling and disassembling the array.

You need two CRF-80s to set up arrays with CF 118 subwoofers – one to serve as a rigging frame and one as an adapter frame between the subwoofer and M/H unit.

1 Attach the C-PPA pick-point adapter by inserting its two quick-release pins at the desired position in the rigging frame's center mounting rail. Connect the chain hoist or other hoisting equipment to the C-PPA's shackle.

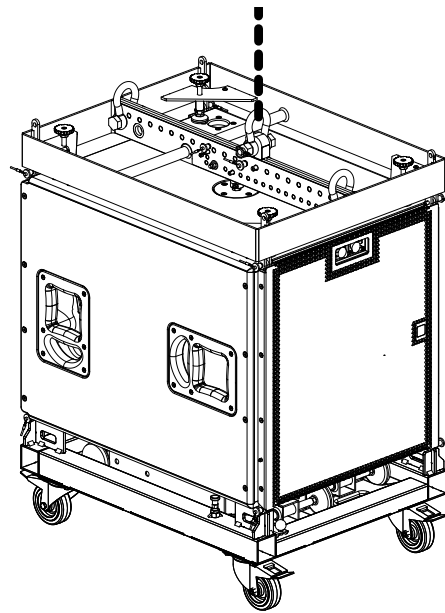


Note: The shackle for securing the tensioning strap is only required for the adapter frame (see step 6 above).



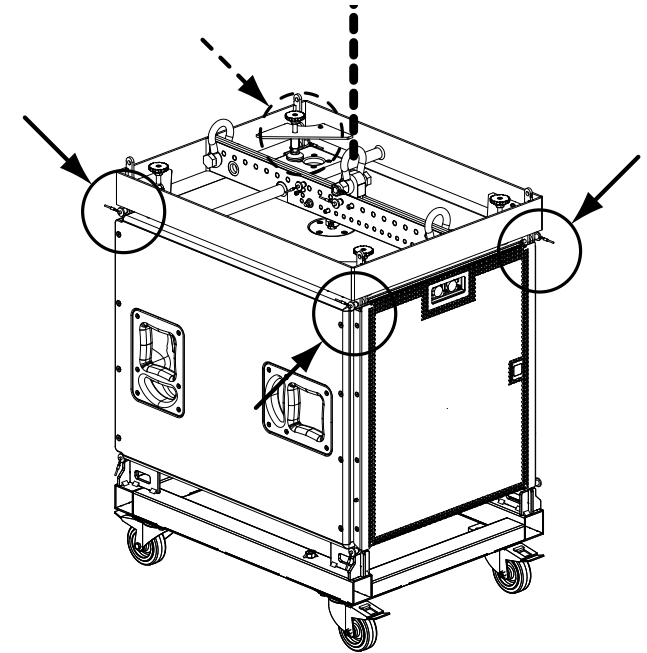
Note: Make sure the flap is in the parked position and fixed in place with the pin.

2 Lift the rigging frame until there is sufficient clearance for the CF 118 subwoofer to slide under it.



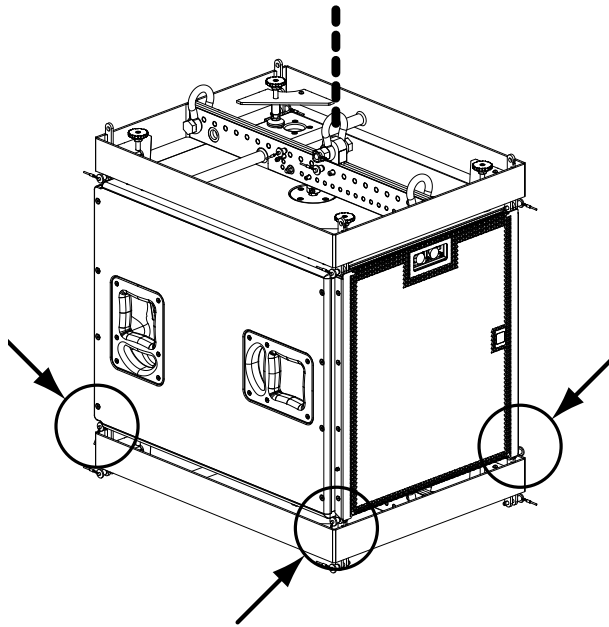
Heads up: You may dispense with a secondary safety device or arrest wire in cases where the attaching device is intrinsically safe, requires tools to unfasten, and is secured with a locking mechanism to prevent it from disengaging on its own. Be sure to heed the applicable local laws, regulations, and engineering rules.

3 Connect the rigging frame to the CF 118 using the four attachment points.

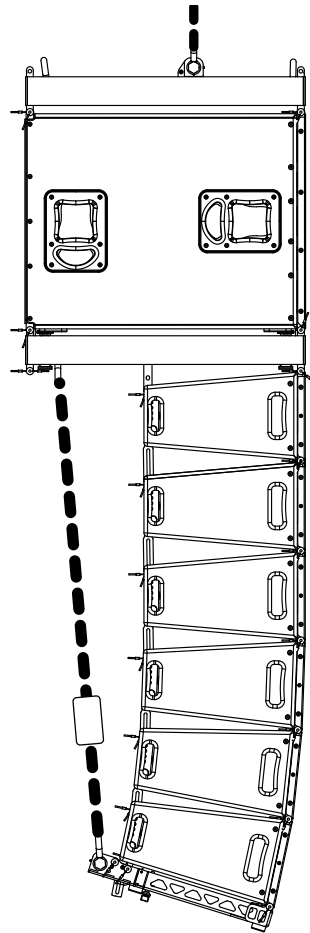


4 Follow the same steps to mount all other subwoofers required for the array below the suspended subwoofer.

5 Use the four attachment points at the bottom of the subwoofer to connect the second CRF-80 that is to serve as the adapter frame.



6 Now connect all M/H units required for the array to the adapter frame as described in sections 5 and 6 of this rigging manual.



7 You may fasten ropes to the pull-back frame's attachment points to tie the array to truss bars or the like to prevent it from twisting in the wind.

Note: Use only ropes with sufficient tensile strength to this end. Carabiner or snap hooks are suitable for attaching ropes.



Heads up: Always keep the area below the system clear of people when raising or lowering it.



Heads up: Please bear in mind that the working load limit is and will remain 700 kg. Using two CRF-80 rigging frames does not double the WLL.

9 Setting Up Ground Stacks



Heads up: Be sure to set the ground stack on a firm surface and secure it to keep it from tipping.

Heads up: Setting up and tearing down ground stacks can be dangerous. People may get hurt and property damaged if the stack moves in unexpected ways or is improperly assembled and disassembled.

Make sure quick-release pins, shackles and all other connecting components are properly engaged and secured to prevent them from loosening.

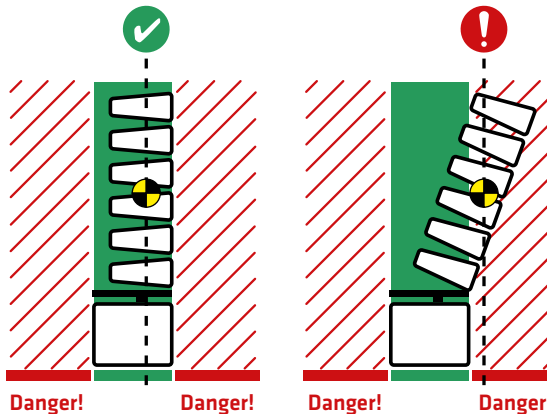


Wear suitable protective headgear, gloves and footwear when assembling and disassembling the array.

The CS 118, CS 218 and CF 118 subwoofers serve as the base for ground stacks. M/H units may be tilted at +2°/0°/-2° angles using the CRF-80 and CRF-60 rigging frames. If you need to tilt speakers further to aim them, you can use the optional C-GSA ground stack adapter to set larger angles from -6° to -20°. You can also use the CRF-PB pull-back frame for a ground stack. See section 9.4 for more on this.

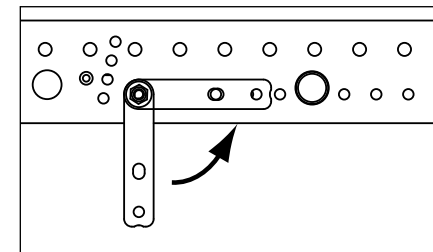


Heads up: Make sure the ground stack's center of gravity remains within the base. Always secure the ground stack to prevent tipping.



Proceed with caution as you run the risk of a crush/pinch injury when connecting mid/high units.

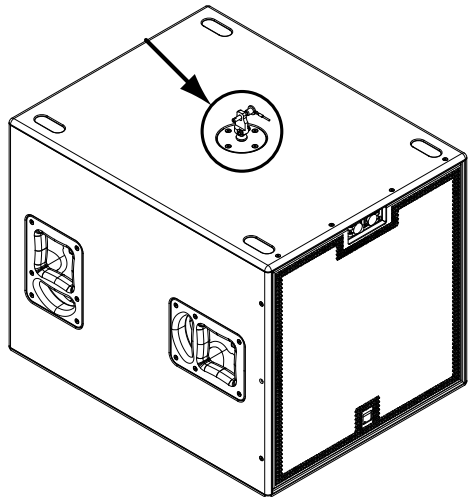
The following instructions and illustrations apply to both the CRF-60 and CRF-80.



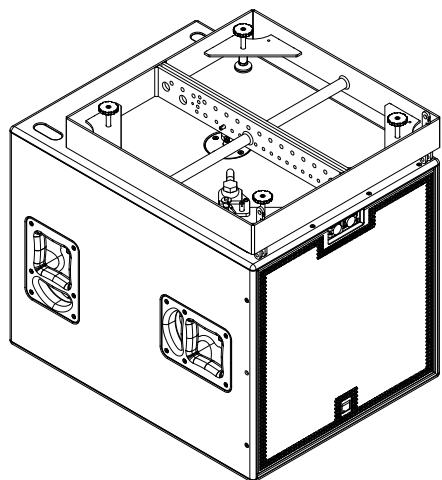
Heads up: Flip the flap back for ground stacks with the CRF-60 or CRF-80.

9.1 Stacking speakers on top of a CS 118/ CS 218 with the rigging frame only (+2°/0°/-2°)

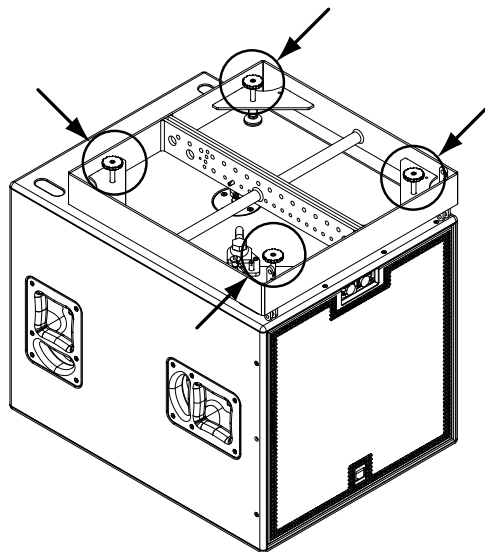
1 Screw the C-M20 adapter into the CS 118 or CS 218's M20 threaded insert.



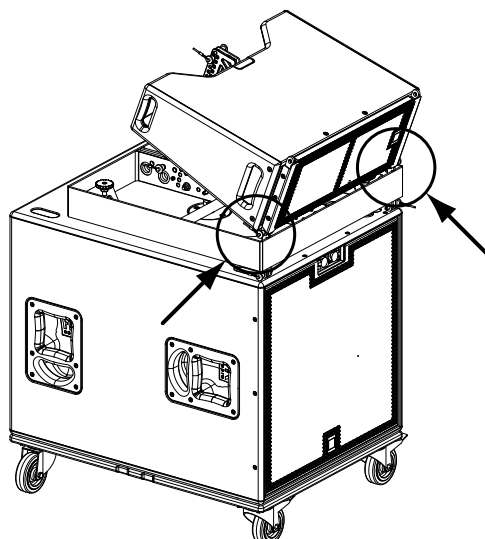
2 Place the CRF-80 or CRF-60 on the subwoofer and insert the quick-release pin to attach it to the C-M20 adapter.



3 Level the rigging frame with the four adjustable feet. The spirit level built into the CRF-60 or CRF-80 serves this purpose.

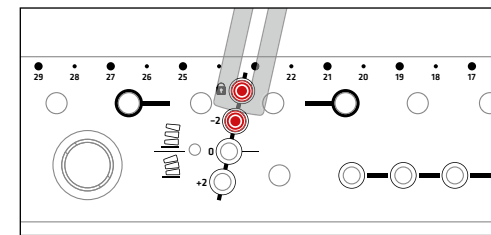


4 Attach the M/H unit to the rigging frame's attachment points.

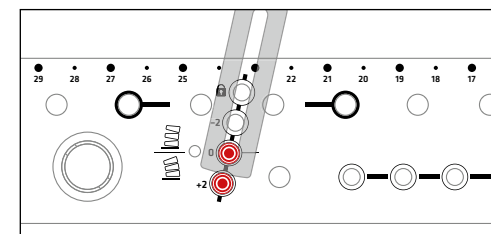


5 Example tilt angles:

Tilt set to -2°:



Tilt set to +2°:



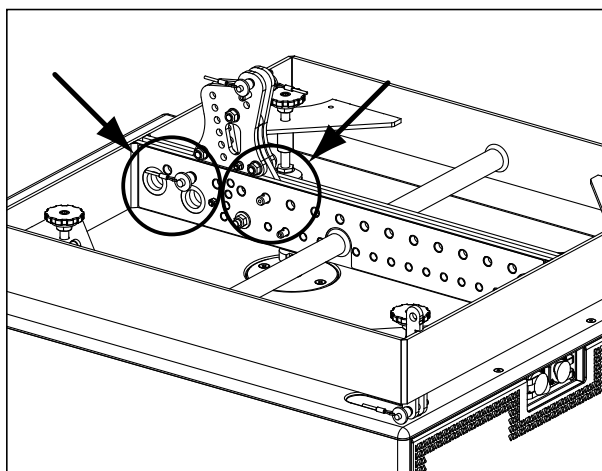
6 Connect all other M/H units required for the ground stack in fixed mode.

! Heads up: Never use a CRF-60 or CRF-80 to connect more than six COSMO M/H units to a ground stack

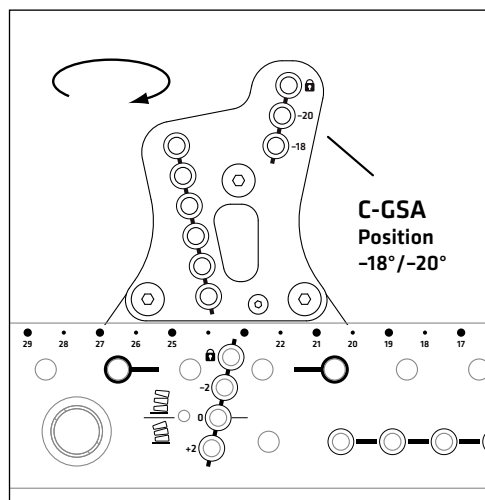
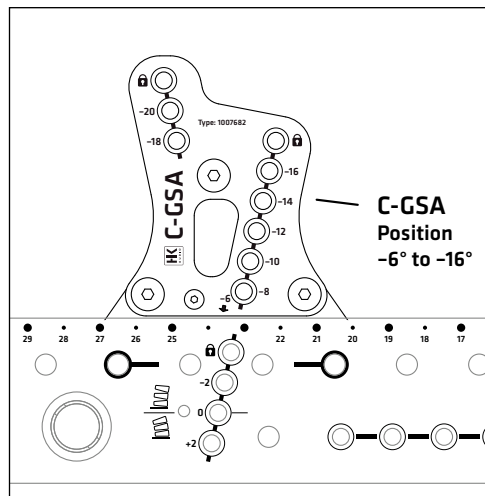
9.2 Stacking speakers on top of a CS 118/ CS 218 with the rigging frame and the C-GSA ground stack adapter (-6° to -20°)

Follow steps 1 to 3 as described in section 9.1 to connect the rigging frame to the subwoofer.

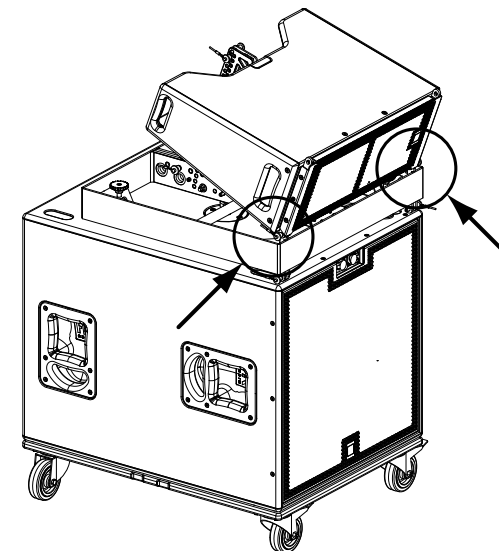
- 1 Attach the C-GSA ground stack adapter by inserting its two quick-release pins in the holes provided on the rigging frame.



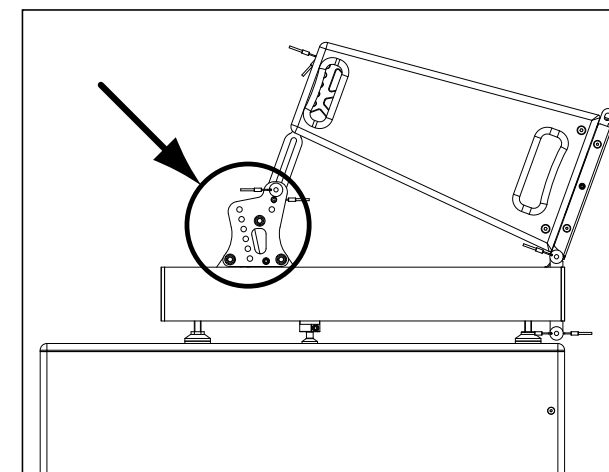
The C-GSA has two rows of holes offering the following angles: -6° to -16° or -18° to -20°. You can rotate the C-GSA 180° to achieve the desired angle.



- 2 Attach the M/H unit to the rigging frame's attachment points.

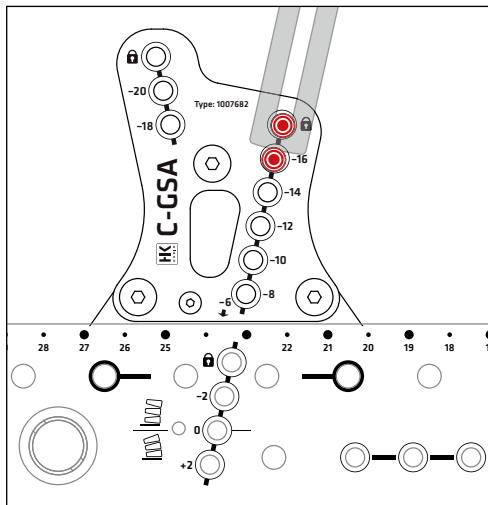


- 3 Attach the flap to the C-GSA at the desired angle according the fixed mode procedure.

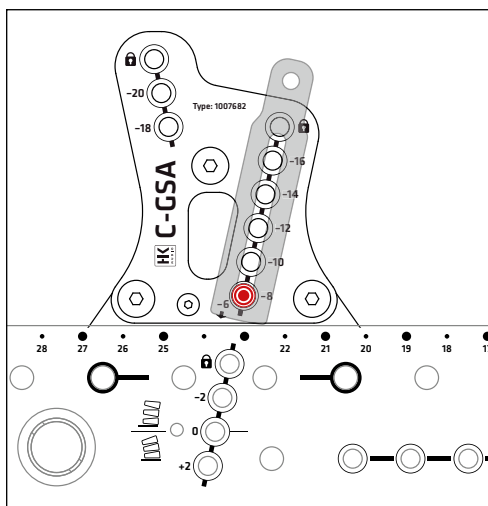


4 Example tilt angles:

Tilt set to -16° :



Tilt set to -6° :



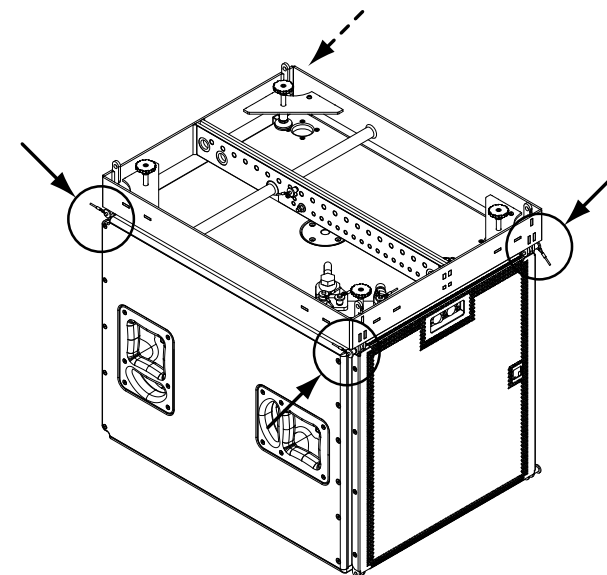
Note: -4° tilt angle is not an option.

Note: A -6° tilt angle does not require an angle pin; the flap simply rests on the C-GSA. Secure this configuration with the Link pin.

- 5** Connect all other M/H units required for the ground stack in fixed mode.

9.3 Stacking speakers on top of a CF 118 with a CRF-80 rigging frame

- 1** Set the CRF-80 on the CF 118's rigging hardware.
- 2** Attach the rigging frame using the CF 118's attachment points. You do not need a C-M20 adapter for this application.

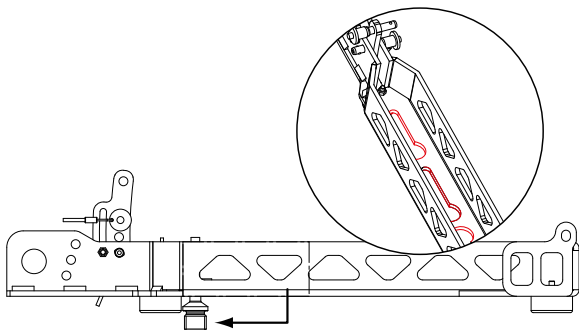


- 3** Proceed as described in section 9.1 (-2° to $+2^{\circ}$) or in section 9.2 (-6° to -20°), depending on the angle you wish to set.

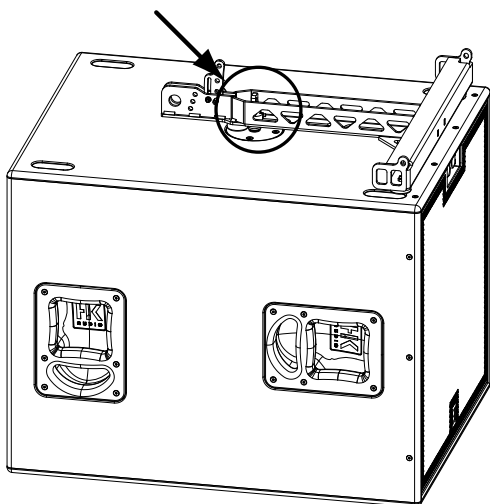
9.4 Stacking speakers on top of a subwoofer with the CRF-PB pull-back frame

! Heads up: Never stack more than three COSMO M/H units on the ground using the CRF-PB.

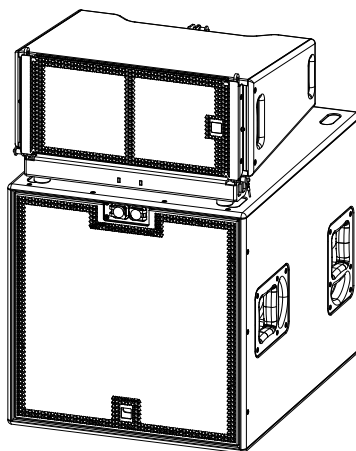
1 Slide the C-M20 adapter into the CRF-PB's keyhole rail using the groove as a guide.



2 Set the CRF-PB on the CS 118 or CS 218; then screw the C-M20 adapter into the subwoofer's M20 threaded insert. The pre-tensioning, due to screwing the adapter into the sub's threaded sleeve, affixes the CRF-PB to the top of the subwoofer.

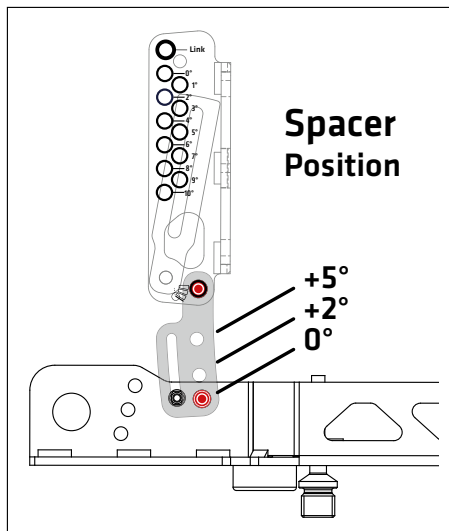


3 Attach the COSMO M/H unit to the CRF-PB pull-back frame.

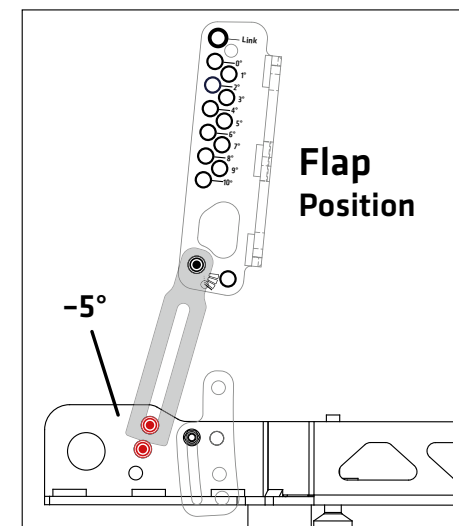
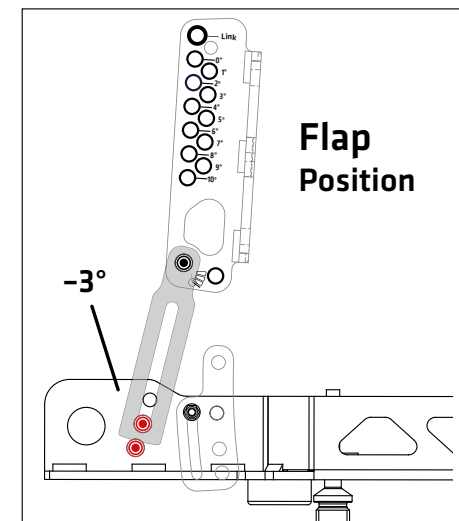


4 You can set the M/H unit's angle on the CRF-PB to -5° , -3° , 0° , $+2^\circ$ or $+5^\circ$.

Setting the tilt angle with the CRF-PB's spacer:




Setting the tilt angle with the M/H unit's flap:



5 Connect all other M/H units required for the ground stack in fixed mode.

10 Disassembling Flown Arrays

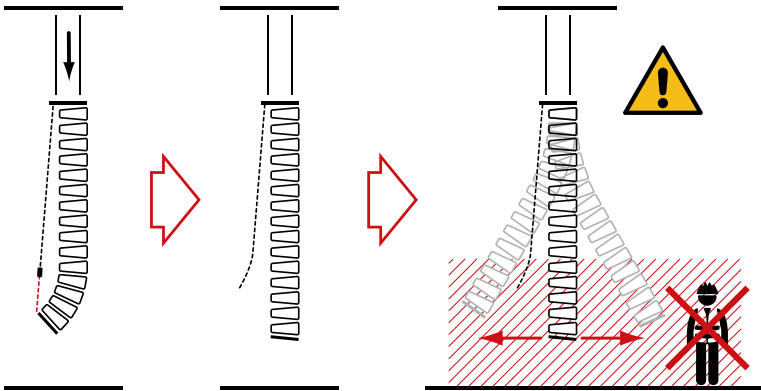
10.1 Disassembling a compressed array

 Heads up: Always keep the area below the system clear of people when raising or lowering it.

1 Lower the array to a convenient working height.

 Heads up: Make sure no one is in the danger zone designated above when you release the tensioning strap.

2 Release the tensioning strap step by step until the array is perpendicular to the ground and the rear load is fully distributed across the link pins. Remove the CRF-PB together with the tensioning end of the tensioning strap.



3 Set the angle pins of all M/H units within your reach at this working height to 0°. This connects the M/H units to each other at the 0° angle required for fixed mode.

4 Attach the C-WB to the lowest mid/high unit using the quick-release pins on the C-WB. Now lower the array until the C-WB is stable, resting on a secure footing.


 Make sure the C-WB is on secure footing before you move on to the next step.

5 Disconnect the top M/H unit of the stack that you want to roll away from the array.

6 Roll the C-WB out of the danger zone and connect the top M/H unit to the C-WB's cover. The loaded C-WB is now ready to go.

7 Repeat steps **3** through **6** until you have disassembled the entire array.

10.2 Disassembling a fixed array

 Heads up: Always keep the area below the system clear of people when raising or lowering it.

Note: Easy, safe disassembly requires at least two people.

1 Lower the array to a convenient working height

2 Starting with the lowest M/H unit, remove the fix pin from the angle plate and the two pins from the front attachment points. This disconnects the M/H unit from the array so you can set it on a suitable means of transport such as a C-WB.

Note: This is a buddy-system job – you need two people to do it.

3 Repeat step **2** until you have removed all M/H units. Keep lowering the array to a convenient working height as you progress.

Recommendation: You can also take down several mid/high units in one go with the C-WB wheel board. See section 10.1 for more on this.

COSMO

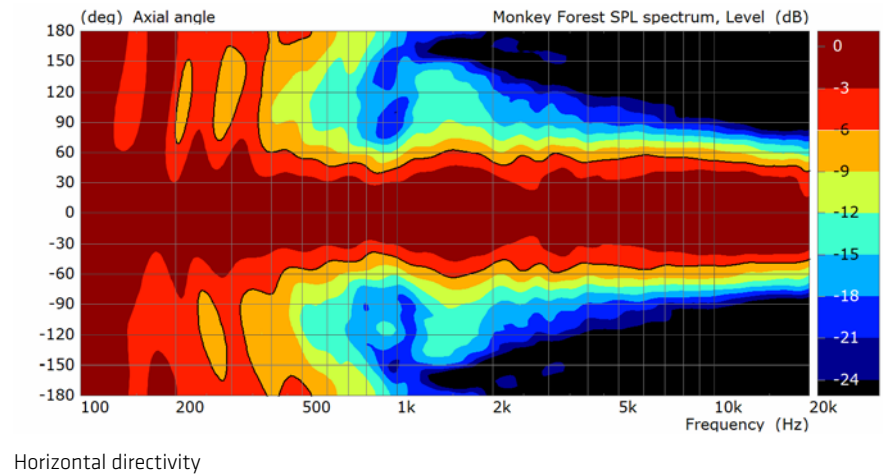
Appendix 2.0

1	C 6 mid/high unit	51
2	C 8 mid/high unit	54
3	C 10 mid/high unit	57
4	CF 118 subwoofer	60
5	CS 118 subwoofer	62
6	CS 218 subwoofer	64
7	PB-8 patchbay	66
8	Declarations of conformity	67

1 C 6 mid/high unit

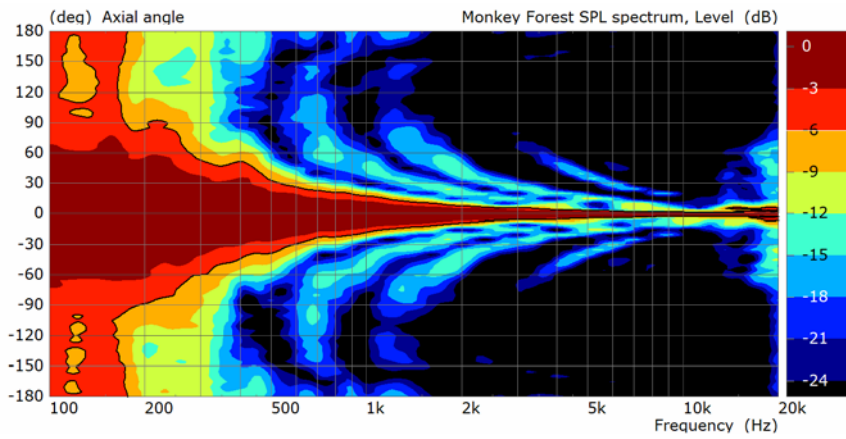
C 6 – Technical specifications

Power handling, nominal RMS	400 W
Power handling, program	800 W
Frequency response +/-3 dB	75 Hz - 18 kHz
Frequency response - 10 dB	70 Hz - 19 kHz
Sensitivity 1 W/1 m	102 dB (100 Hz - 10 kHz), full space
Max. SPL @ 10 % THD (EN 60268-21:2019)	141 dB (3 units C 6)
Electrical impedance	16 ohms
Low/mid speaker	2x 6,5", 2" voice coil
HF Driver	1,4", 3" voice coil
Directivity	100° horizontal
Crossover frequency	1 kHz, 12 dB/octave
Connections	2x Speakon NL4 (with sealing cap)
Rigging points	3-point rigging hardware with black KTL coating
Carrying handles	4x recessed grip
Housing	Birch Multiplex
Finish	PU coating, black
Front grille	Steel front grille with anticorrosive coating, backed with acoustic foam
Dimensions (W x H x D)	60 x 22 x 45 cm 23-5/8 x 8-21/32 x 17-23/32"
Weight	20.2 kg / 44.5 lbs

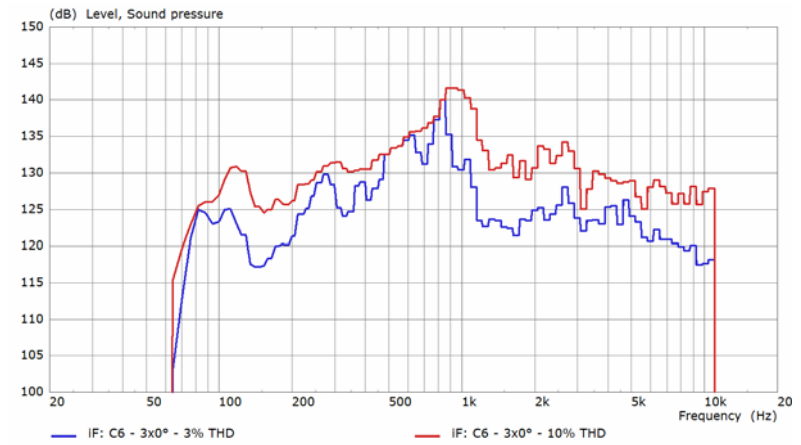


1 C 6 mid/high unit

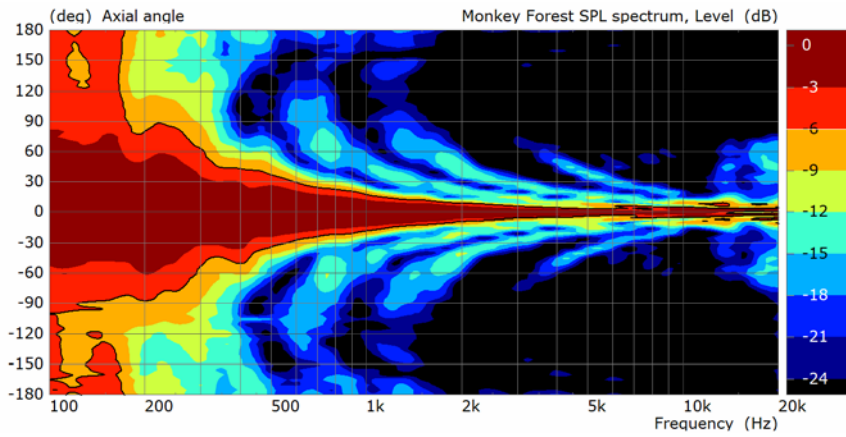
• English



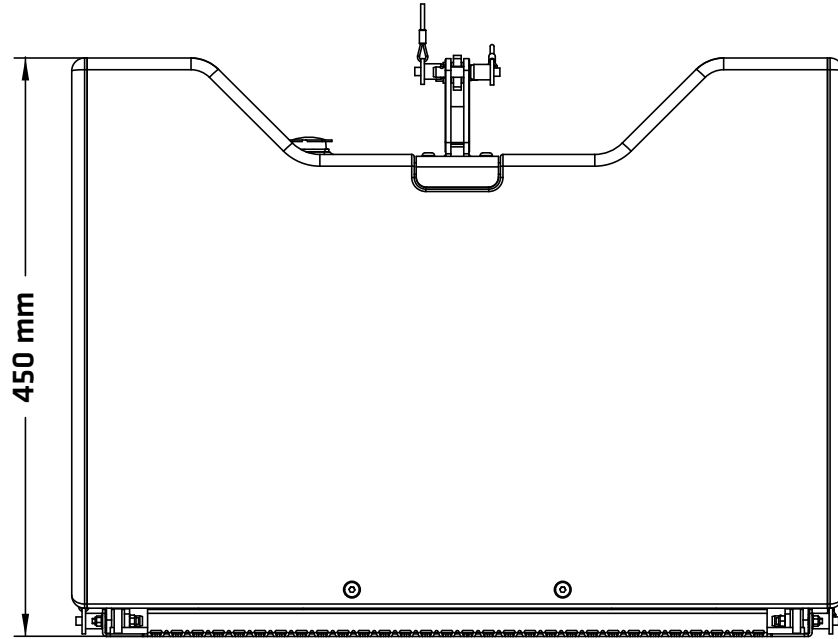
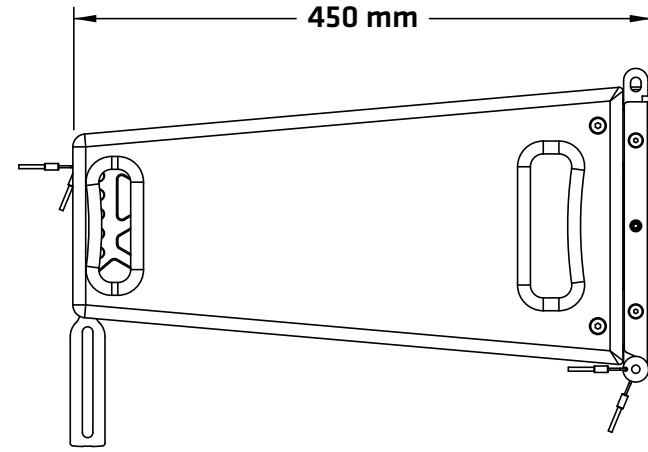
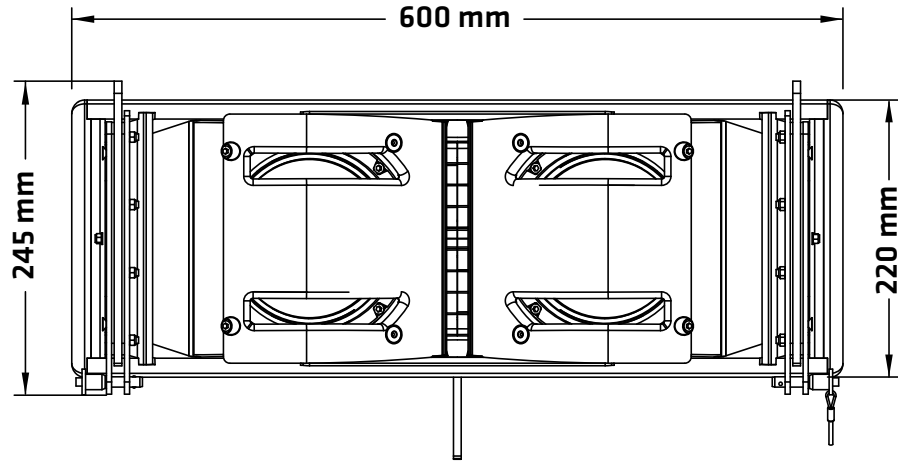
Vertical directivity (three C 6s at 0° splay)



Max. SPL (blue= 3% THD, red= 10% THD)



Vertical directivity (three C 6s at 3° splay)



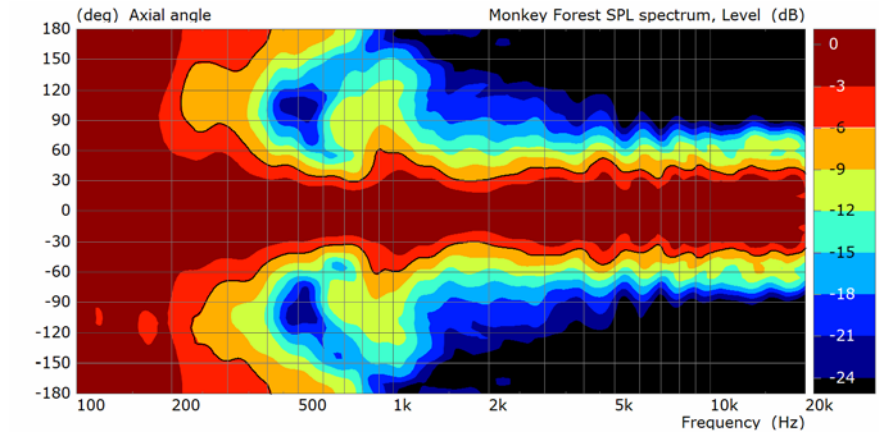
1 C 6 mid/high unit

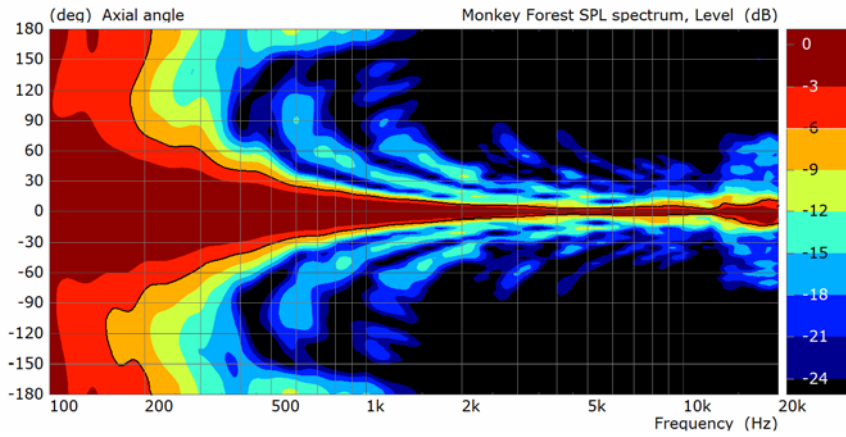
• English

2 C 8 mid/high unit

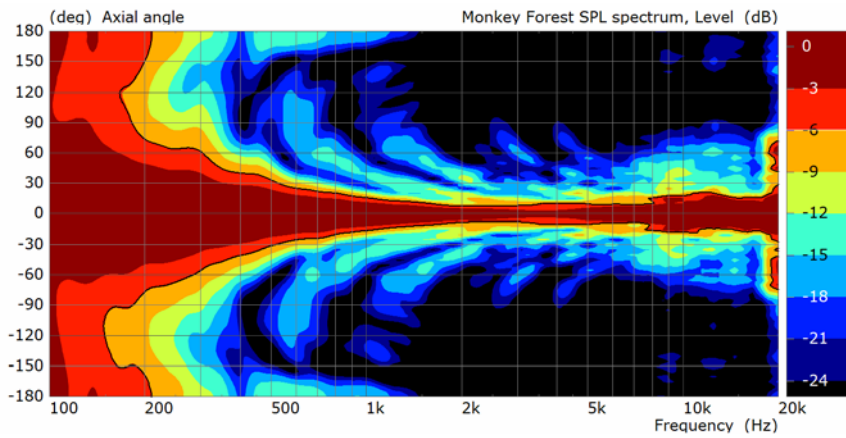
C 8 – Technical specifications

Power handling, nominal RMS	600 W
Power handling, program	1200 W
Frequency response +/-3 dB	63 Hz - 18 kHz
Frequency response - 10 dB	57 Hz - 19 kHz
Sensitivity 1 W/1 m	103 dB (100 Hz - 10 kHz), full space
Max. SPL @ 10 % THD (EN 60268-21:2019)	136 dB (3 units C 8)
Electrical impedance	8 ohms
Low/mid speaker	2x 8", 2,5" voice coil
HF Driver	1,4", 3" voice coil
Directivity	80° horizontal
Crossover frequency	800 Hz, 18 dB/oct.
Connections	2x Speakon NL4 (with sealing cap)
Rigging points	3-point rigging hardware with black KTL coating
Carrying handles	4x recessed grip
Housing	Birch Multiplex
Finish	PU coating, black
Front grille	Steel front grille with anticorrosive coating, backed with acoustic foam
Dimensions (W x H x D)	60 x 27 x 45 cm 23-5/8 x 10-5/8 x 17-23/32"
Weight	22.8 kg / 50.2 lbs

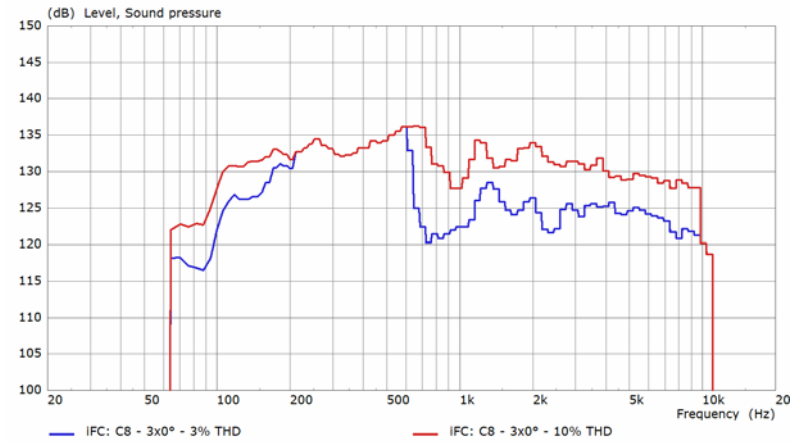




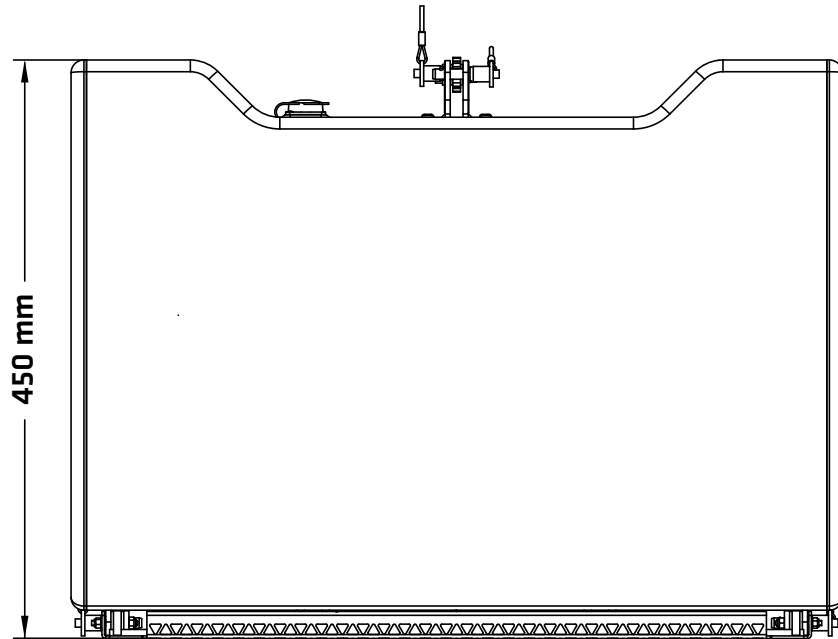
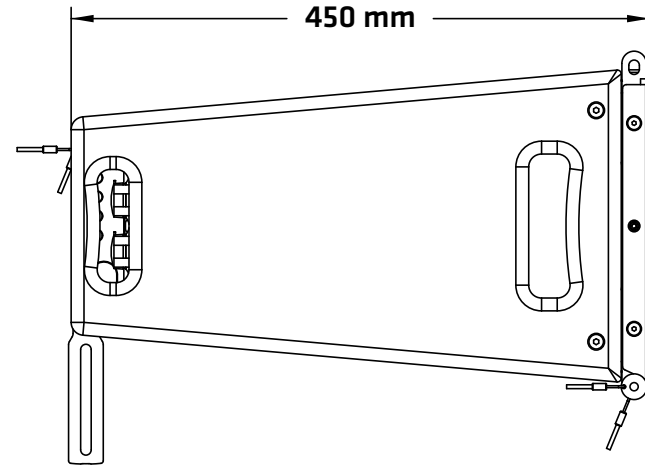
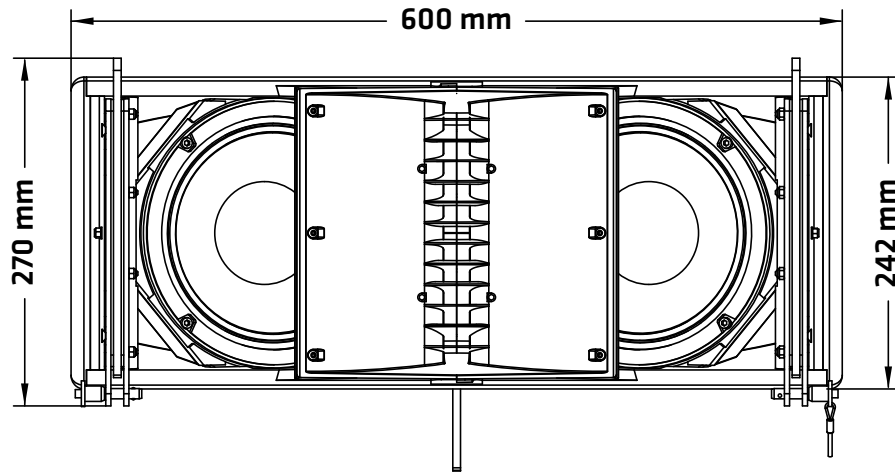
Vertical directivity (three C 8s at 0° splay)



Vertical directivity (three C 8s at 3° splay)



Max. SPL (blue= 3% THD, red= 10% THD)



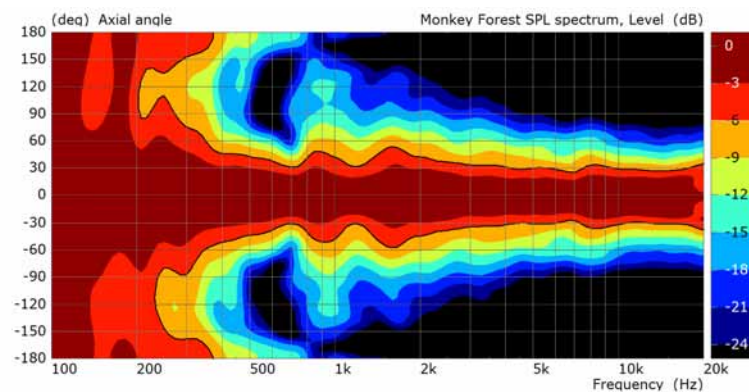
2 C 8 mid/high unit

• English

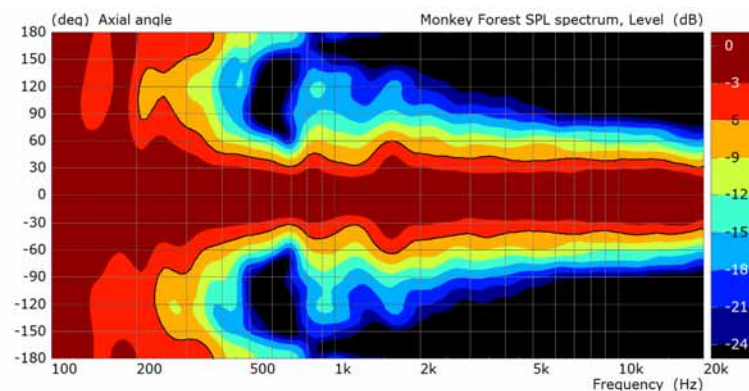
3 C 10 mid/high unit

C 10 – Technical specifications

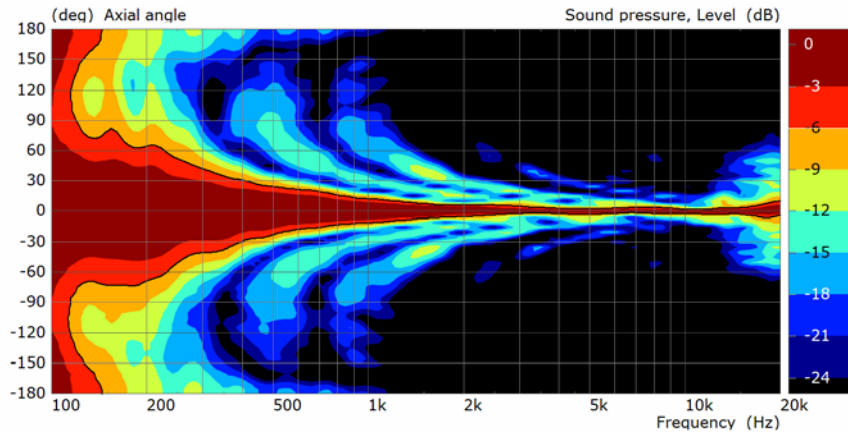
Power handling, nominal RMS	800 W
Power handling, program	1600 W
Frequency response +/-3 dB	58 Hz - 18 kHz
Frequency response - 10 dB	53 Hz - 19 kHz
Sensitivity 1 W/1 m	108 dB (100 Hz - 10 kHz), full space
Max. SPL @ 10 % THD (EN 60268-21:2019)	147 dB (3 units C 10)
Electrical impedance	8 ohms
Low/mid speaker	2x 10", 2,5" voice coil
HF Driver	2x 1,4", 3" voice coil
Directivity	60° horizontal (80° optional)
Crossover frequency	850 Hz, 12 dB/oct.
Connections	2x Speakon NL4 (with sealing cap)
Rigging points	3-point rigging hardware with black KTL coating
Carrying handles	4x recessed grip
Housing	Birch Multiplex
Finish	PU coating, black
Front grille	Steel front grille with anticorrosive coating, backed with acoustic foam
Dimensions (W x H x D)	60 x 32 x 47,5 cm 23-5/8 x 12-43/64 x 18-45/64"
Weight	32.1 kg / 70.8 lbs 32.4 kg / 71.4 lbs with 80° brackets mounted



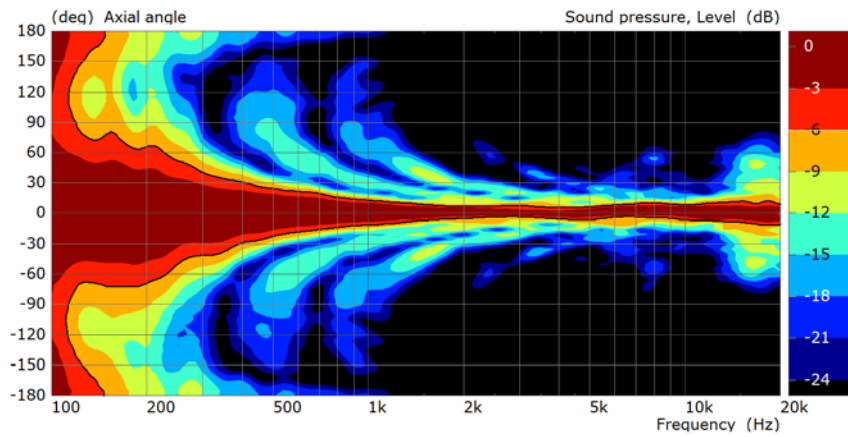
Horizontal directivity 60°



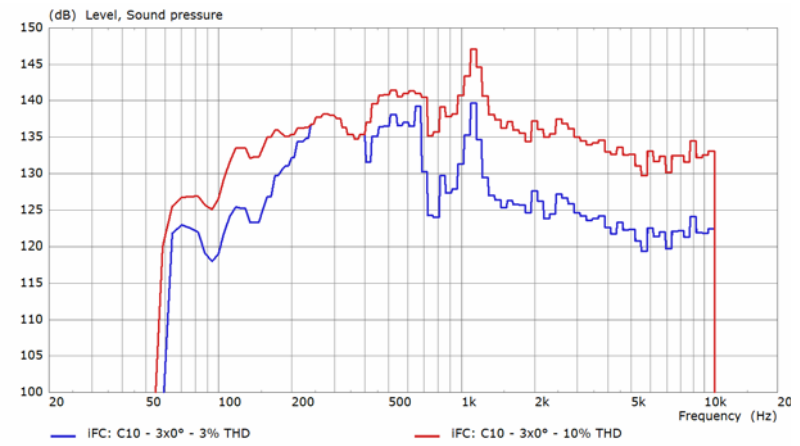
Horizontal directivity 80°



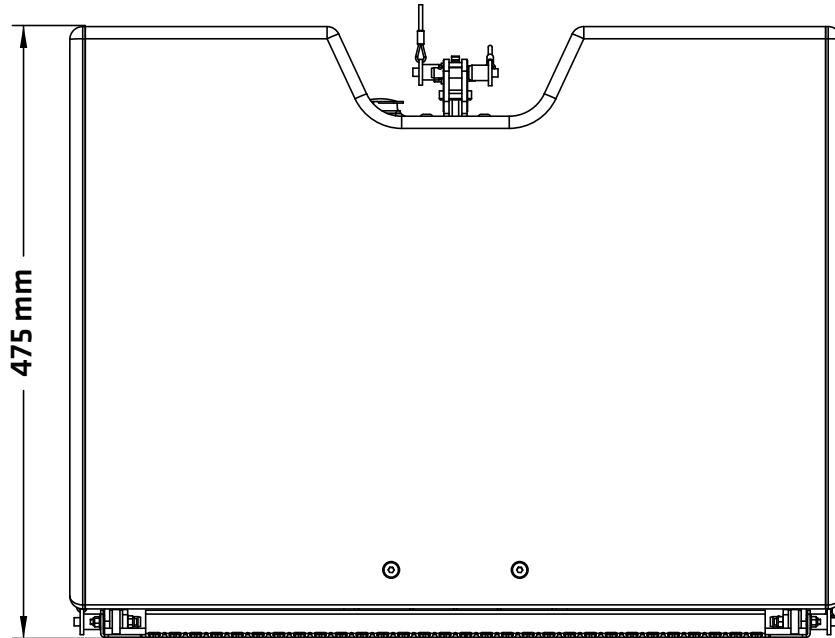
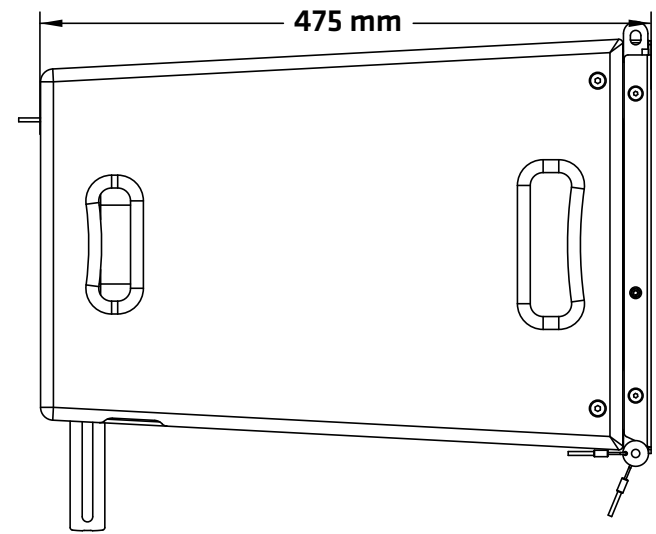
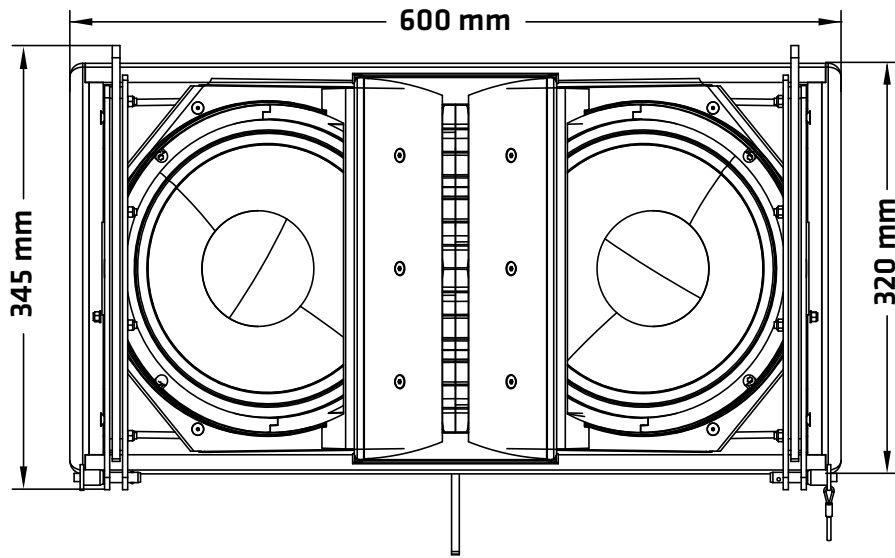
Vertical directivity (three C 8s at 0° splay)



Vertical directivity (three C 8s at 3° splay)



Max. SPL (blue= 3% THD, red= 10% THD)



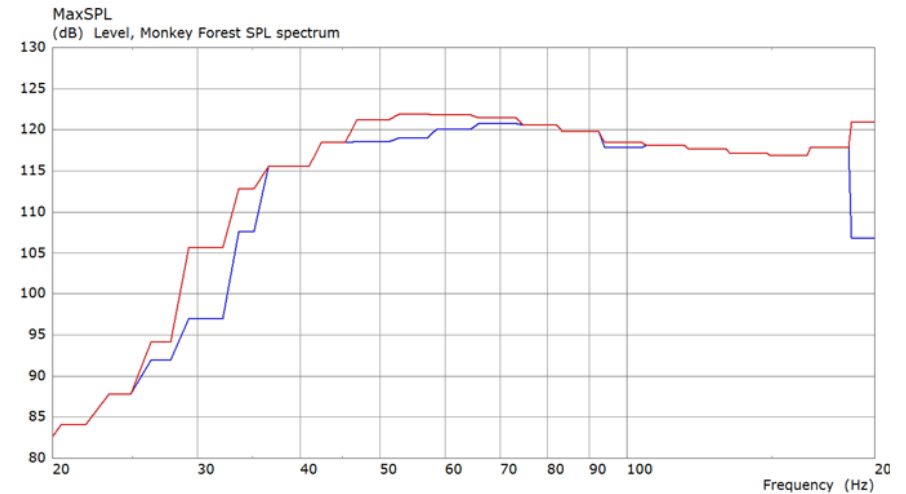
3 C 10 mid/high unit

• English

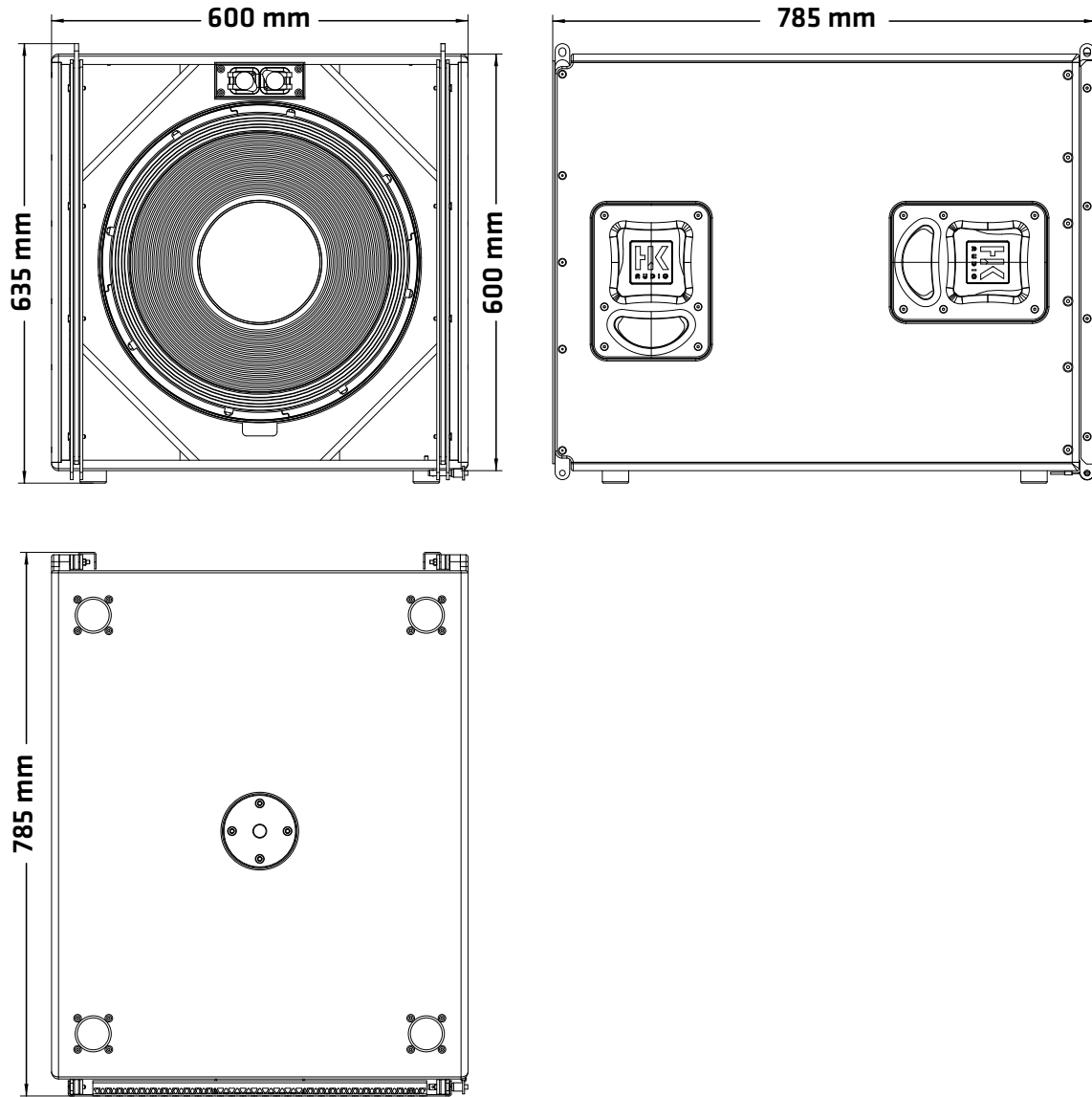
4 CF 118 subwoofer

CF 118 – Technical specifications

Power handling, nominal RMS	1600 W
Power handling, program	3200 W
Frequency response +/-3 dB	35 Hz - 120 Hz
Frequency response - 10 dB	32 Hz - 120 Hz
Sensitivity 1 W @ 1 m	93 dB (40 Hz - 120 Hz), full space
Max. SPL @ 10 % THD (EN 60268-21:2019)	129 dB
Electrical impedance	8 ohms
LF Speaker	1x 18", 4" voice coil
Connections	4x Speakon NL4 (with sealing cap), 2 each front and rear, pin assignment switch
Integrated pole mount	1x M20
Rigging points	4-point rigging hardware with black KTL coating
Carrying handles	4x MultiGrip
Housing	Birch Multiplex
Finish	PU coating, black
Front grille	Steel front grille with anticorrosive coating, backed with acoustic foam
Dimensions (W x H x D)	60 x 63,5 x 78.5 cm 23-5/8 x 25 x 30-29/32"
Weight	54.8 kg / 120.8 lbs



Max. SPL (blue= 3% THD, red= 10% THD)



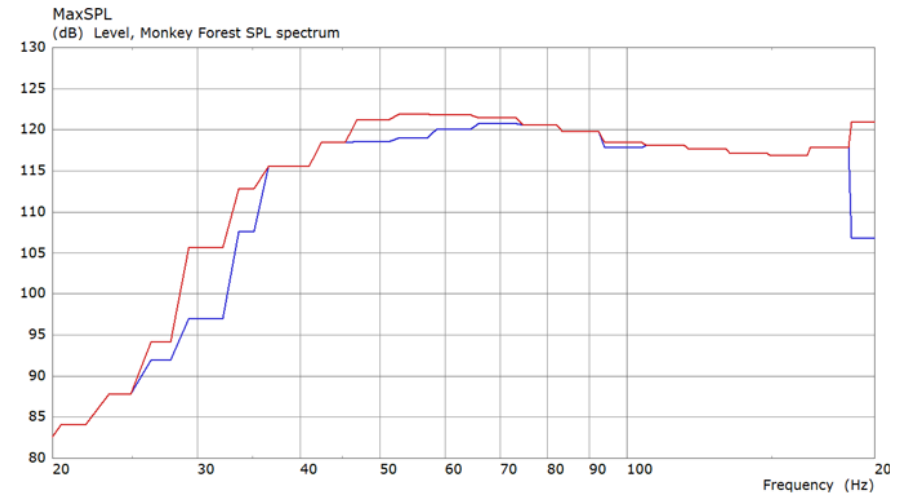
4 CF 118 subwoofer

• English

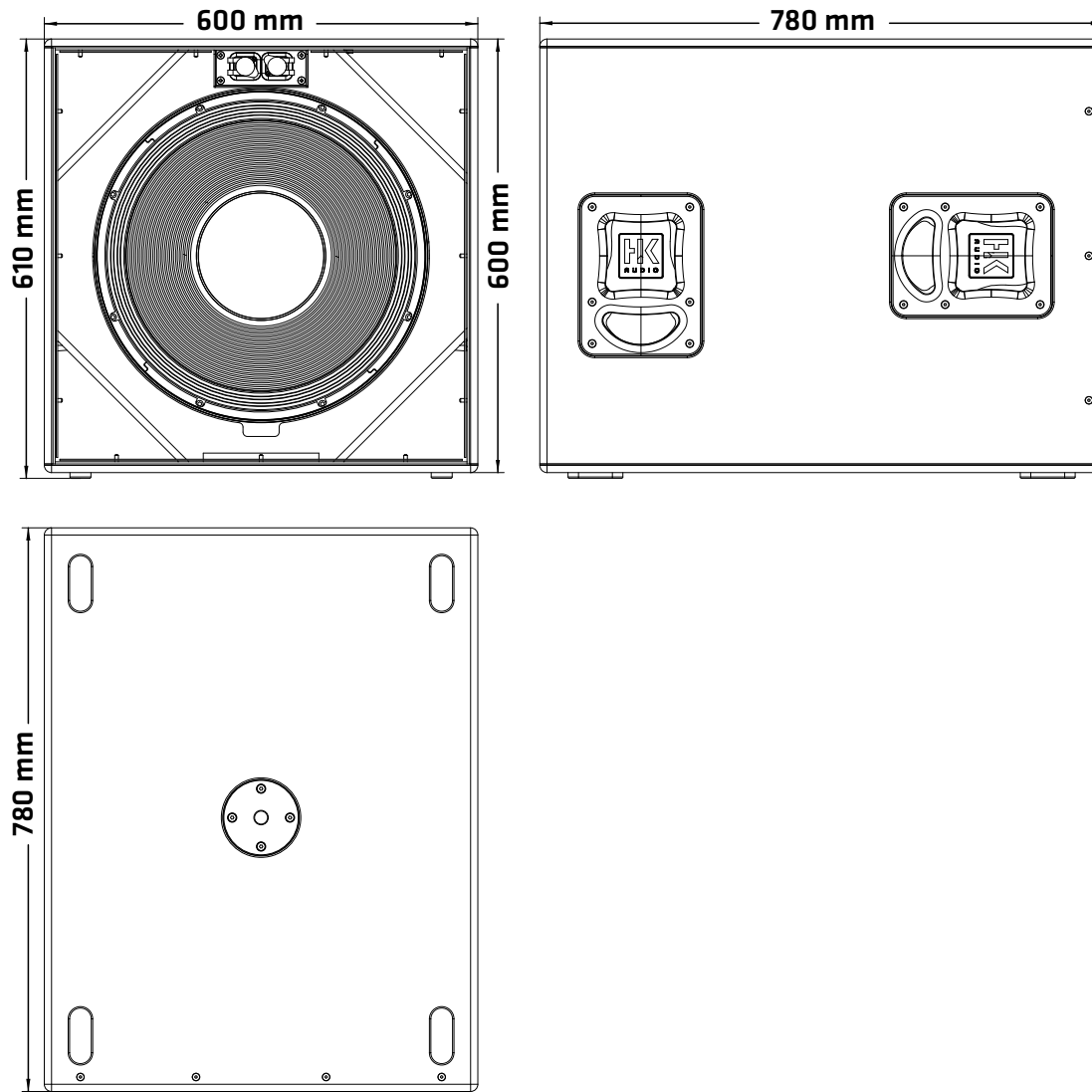
5 CS 118 subwoofer

CS 118 – Technical specifications

Power handling, nominal RMS	1600 W
Power handling, program	3200 W
Frequency response +/-3 dB	35 Hz - 120 Hz
Frequency response - 10 dB	31 Hz - 120 Hz
Sensitivity 1 W @ 1 m	93 dB (40 Hz - 120 Hz), full space
Max. SPL @ 10 % THD (EN 60268-21:2019)	129 dB
Electrical impedance	8 ohms
LF Speaker	1x 18", 4" voice coil
Connections	4x Speakon NL4 (with sealing cap), 2 each front and rear, pin assignment switch
Integrated pole mount	1x M20
Rigging points	-
Carrying handles	4x MultiGrip
Housing	Birch Multiplex
Finish	PU coating, black
Front grille	Steel front grille with anticorrosive coating, backed with acoustic foam
Dimensions (W x H x D)	60 x 61 x 78 cm 23-5/8 x 24-5/32 x 30-23/32"
Weight	47.5 kg / 105.0 lbs



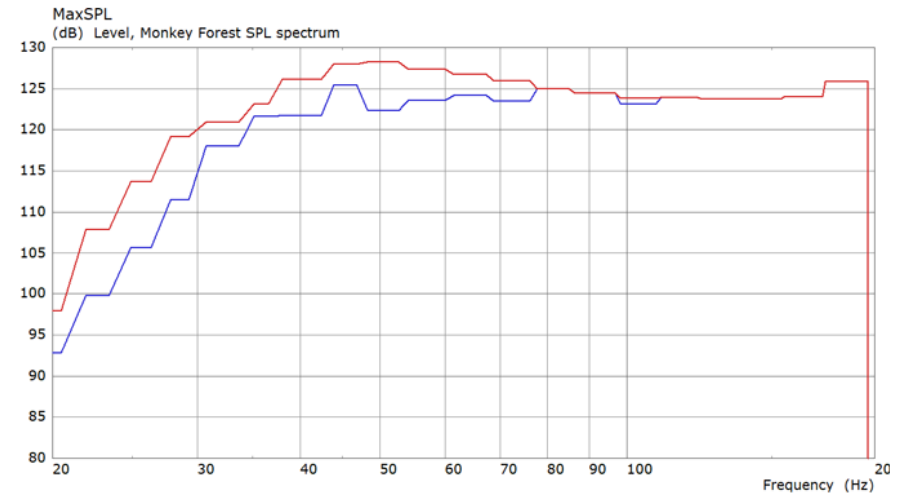
Max. SPL (blue= 3% THD, red= 10% THD)



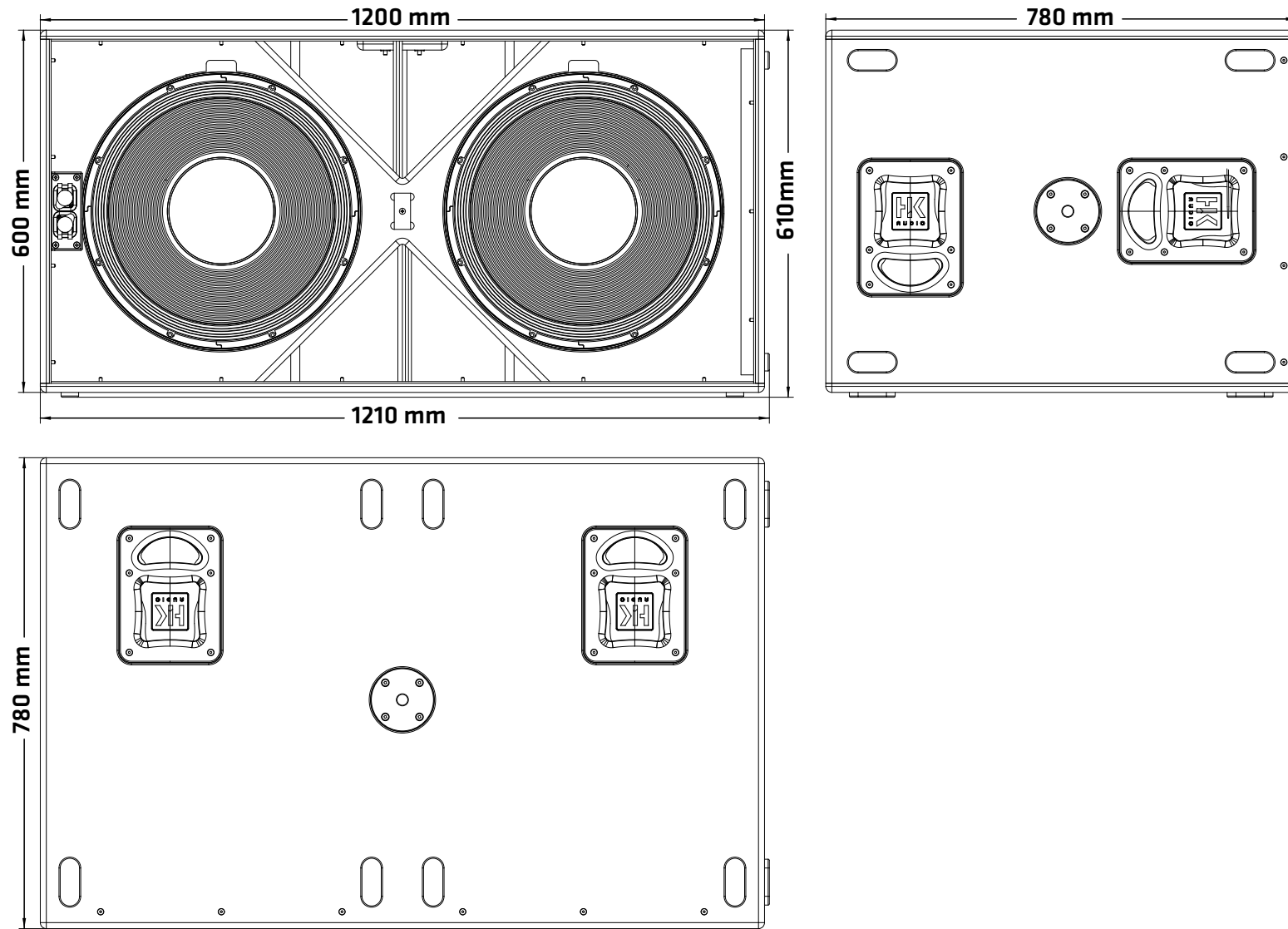
6 CS 218 subwoofer

CS 218 – Technical specifications

Power handling, nominal RMS	3200 W
Power handling, program	6400 W
Frequency response +/-3 dB	27 Hz - 100 Hz
Frequency response - 10 dB	23 Hz - 100 Hz
Sensitivity 1 W @ 1 m	94 dB (30 Hz - 100 Hz), full space
Max. SPL @ 10 % THD (EN 60268-21:2019)	133 dB
Electrical impedance	4 ohms
LF Speaker	2x 18", 4" voice coil
Connections	4x Speakon NL4 (with sealing cap), 2 each front and rear, pin assignment switch
Integrated pole mount	2x M20
Rigging points	-
Carrying handles	8x MultiGrip
Housing	Birch Multiplex
Finish	PU coating, black
Front grille	Steel front grille with anticorrosive coating, backed with acoustic foam
Dimensions (W x H x D)	121 x 61 x 78 c 47-41/64 x 24-5/32 x 30-23/32"
Weight	88.0 kg / 194.0 lbs



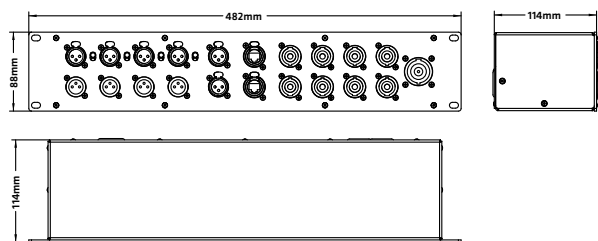
Max. SPL (blue= 3% THD, red= 10% THD)



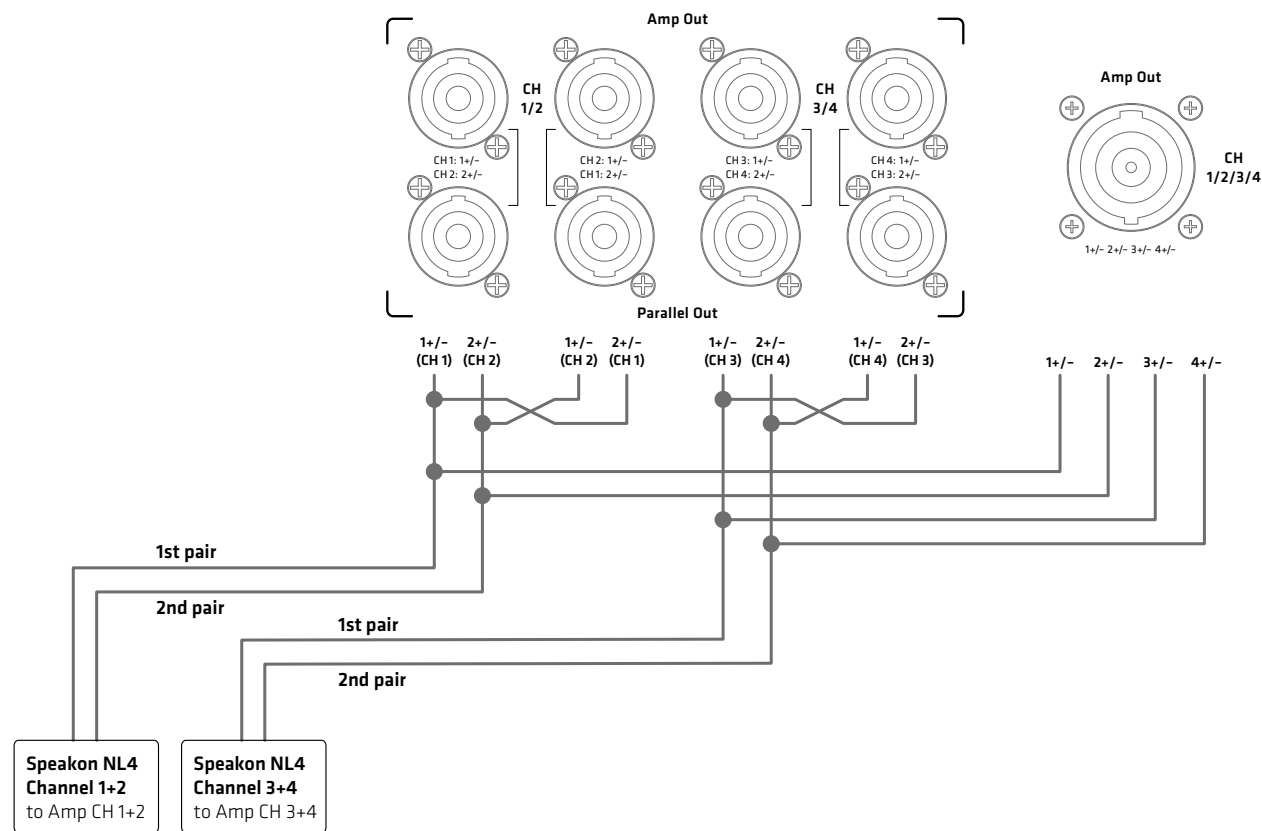
7 PB-8 patchbay

PB-8 – Technical specifications


Dimensions (W x H x D)	48.5 x 8.8 x 11.5 cm 19-15/16 x 3-11/32 x 4-17/32"
Weight	4.2 kg / 9.3 lbs



The PB-8's internal wiring



8 Declarations of conformity



EG-Konformitätserklärung

nach EG-Maschinenrichtlinie 2006/42/EG,
Anhang II A

Hiermit erklären wir, dass die nachstehenden Lastaufnahmemittel

Flugrahmen HK AUDIO CRF-60
Flugrahmen HK AUDIO CRF-80

allen einschlägigen Bestimmungen der folgenden Richtlinie entsprechen:

Maschinenrichtlinie 2006/42/EG

Angewandte harmonisierte Normen:


DIN EN ISO 12100
DIN EN 1990
DIN EN 1991-1
DIN EN 1993-1
DIN EN 12944

Angewandte nationale Normen und technische Spezifikationen:


DIN 56950-1
DGVV Vorschrift 17

Bevollmächtigter für die Zusammenstellung der technischen Unterlagen:

Dipl.Ing. Lothar Stamer, Stamer Musikanlagen GmbH, Magdeburger Str. 8, 66606 St. Wendel



Dipl.Ing. Lothar Stamer, Geschäftsführer
St. Wendel, 02.07.2018



Stamer Musikanlagen GmbH
Magdeburger Str. 8, 66606 St. Wendel
Deutschland

1



EG-Konformitätserklärung

nach EG-Maschinenrichtlinie 2006/42/EG,
Anhang II A

Hiermit erklären wir, dass das nachstehende Lastaufnahmemittel

Pickpoint-Adapter HK AUDIO C-PPA

allen einschlägigen Bestimmungen der folgenden Richtlinie entspricht:

Maschinenrichtlinie 2006/42/EG

Angewandte harmonisierte Normen:

DIN EN ISO 12100
DIN EN 1990
DIN EN 1991-1
DIN EN 1993-1

Angewandte nationale Normen und technische Spezifikationen:

DIN 56950-1
DGVV Vorschrift 17

Bevollmächtigter für die Zusammenstellung der technischen Unterlagen:

Dipl.Ing. Lothar Stamer, Stamer Musikanlagen GmbH, Magdeburger Str. 8, 66606 St. Wendel



Dipl.Ing. Lothar Stamer, Geschäftsführer
St. Wendel, 02.07.2018



Stamer Musikanlagen GmbH
Magdeburger Str. 8, 66606 St. Wendel
Deutschland

1

COSMO

Line Array



HK Audio® • Postfach 1509 • 66595 St. Wendel • Germany • info@hkaudio.com • www.hkaudio.com
International Inquiries: fax +49-68 51-905 215 • international@hkaudio.com

Subject to change without notice • Technische Änderungen vorbehalten
Copyrights 2020–2021 Music & Sales GmbH • 04/2021