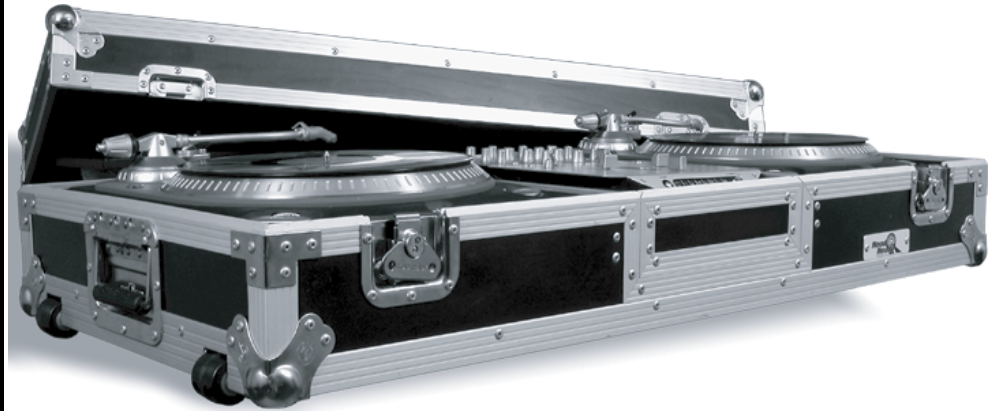




RRDJ10W

DJ Coffin w/ Wheels for 2
Turntables in Battle Position
& Universal 10" Mixer



Rugged Road Ready Features

- * Beefy, Stackable Ball Corners
- * Double Anchor Industrial Rivets
- * Recessed, Industrial Grade Latches
- * Recessed Industrial Grade Handle
- * Industrial Grade Rubber Feet
- * Premium 3/8" Vinyl Laminated Plywood
- * Tongue and Groove Locking Fit
- * Front Access Panels
- * Rear Access Cable Port
- * Low Profile Wheels
- * ATA 300 Rating
- * Road Ready Limited Lifetime Warranty

Product Dimensions

Shipping Dimensions (inch): 45.4 x 22 x 11

Shipping Weight (lbs):43.1

Product Dimensions (inch): 44.9 x 21.4 x 10.2

Product Weight (lbs): 40.7

Shipping Dimensions (cm): 115.5 x 56 x 28

Shipping Weight (kg): 19.6

Product Dimensions (cm): 114.2 x 54.4 x 26

Product Weight (kg): 18.5

The best vibe going, the RRDJ10W is the final word in protection for your gear. Built to take abuse, the RRDJ10W is designed to hold two battle positioned turntables and a 10" mixer between them. Built with brains the RRDJ10W accommodates various turntables and features smart design elements like our unique removable front panel for easy access to your mixer controls, a rear access cable port for no hassle connections, low profile wheels for sleek, stealth mobility and adjustable modular foam lining so that you can create the perfect custom fit for your gear. Go ahead get your groove on!

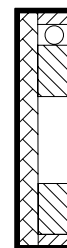
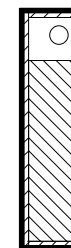
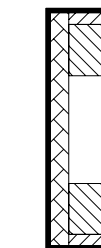
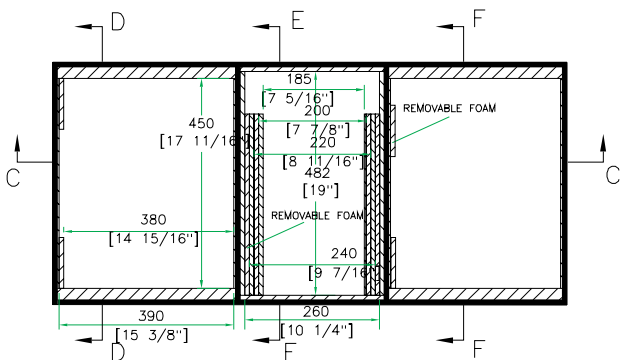
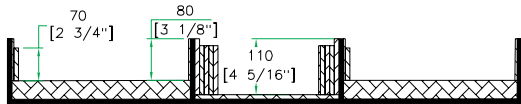
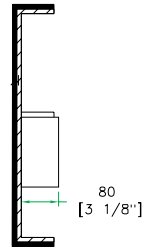
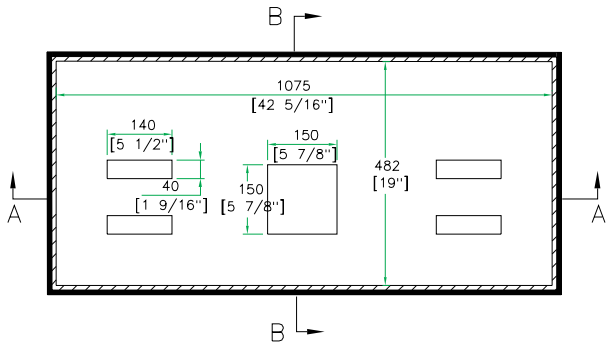
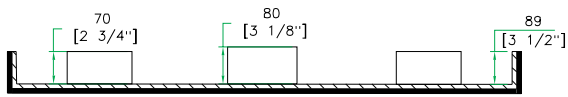
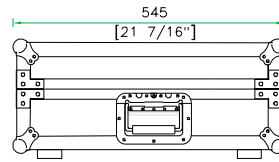
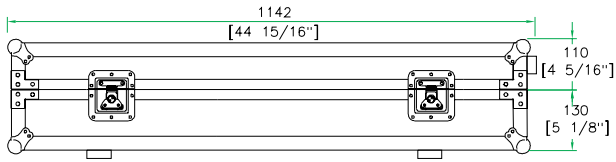
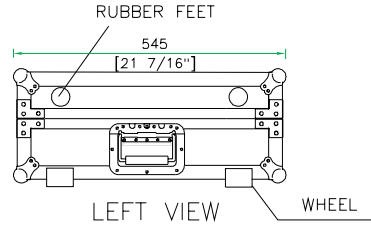
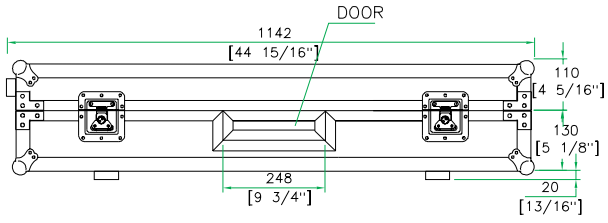
Road Ready Cases

1226 Corral Place * Santa Fe Springs, CA 90670

ph: 562.906.6185 * fax: 562.906.6186

WWW.ROADREADYCASES.COM

RRDJ10W



D-D VIEW

E-E VIEW

F-F VIEW