

EXPEDITION ———

XP310w

300-WATT PORTABLE PA SYSTEM



Owner's Manual

SAMSON[®]

Copyright 2019 v2
Samson Technologies Corp.
278-B Duffy Ave
Hicksville, New York 11801
www.samsontech.com

The *Bluetooth*® word mark and logos are registered trademarks owned by Bluetooth SIG, Inc. and any use of such marks by Samson Technologies is under license. Other trademarks and trade names are those of their respective owners.”

Important Safety Information



**AVIS
RISQUE DE CHOC ÉLECTRONIQUE -
NE PAS OUVRIR**



This lightning flash with arrowhead symbol within an equilateral triangle is intended to alert the user to the presence of non-insulated “dangerous voltage” within the product’s enclosure that may be of sufficient magnitude to constitute a risk of electric shock.



The exclamation point within an equilateral triangle is intended to alert the user to the presence of important operating and maintenance instructions in the literature accompanying the appliance.

WARNING: TO REDUCE THE RISK OF ELECTRIC SHOCK, DO NOT REMOVE COVER (OR BACK) AS THERE ARE NO USER-SERVICEABLE PARTS INSIDE. REFER SERVICING TO QUALIFIED SERVICE PERSONNEL.



If you want to dispose this product, do not mix it with general household waste. There is a separate collection system for used electronic products in accordance with legislation that requires proper treatment, recovery and recycling.

Private household in the 28 member states of the EU, in Switzerland and Norway may return their used electronic products free of charge to designated collection facilities or to a retailer (if you purchase a similar new one).

For Countries not mentioned above, please contact your local authorities for a correct method of disposal.

By doing so you will ensure that your disposed product undergoes the necessary treatment, recovery and recycling and thus prevent potential negative effects on the environment and human health.

ENGLISH

FRANÇAIS

DEUTSCHE

ESPAÑOL

ITALIANO

Important Safety Information

1. Read these instructions.
2. Keep these instructions.
3. Heed all warnings.
4. Follow all instructions.
5. Do not use this apparatus near water.
6. Clean only with dry cloth.
7. Do not block any ventilation openings. Install in accordance with the manufacturer's instructions.
8. Do not install near any heat sources such as radiators, heat registers, stoves, or other apparatus (including amplifiers) that produce heat.
9. Do not defeat the safety purpose of the polarized or grounding type plug. A polarized plug has two blades with one wider than the other. A grounding type plug has two blades and a third grounding prong. The wide blade or the third prong are provided for your safety. If the provided plug does not fit into your outlet, consult an electrician for replacement of the obsolete outlet.
10. Protect the power cord from being walked on or pinched particularly at the plugs, convenience receptacles, and at the point where they exit from the apparatus.
11. Only use attachments/accessories specified by the manufacturer.
12. Use only with the cart, stand, tripod, bracket, or table specified by the manufacturer, or sold with the apparatus. When a cart is used, use caution when moving the cart/apparatus combination to avoid injury from tip-over.
13. Unplug the apparatus during lightening storms or when unused for long periods of time.
14. Refer all servicing to qualified personnel. Service is required when the apparatus has been damaged in any way, such as power supply cord or plug is damaged, liquid has been spilled or objects have fallen into the apparatus has been exposed to rain or moisture, does not operate normally, or has been dropped.
15. This appliance shall not be exposed to dripping or splashing water and that no object filled with liquid such as vases shall be placed on the apparatus.
16. Caution-to prevent electrical shock, match wide blade plug wide slot fully insert.
17. Please keep a good ventilation environment around the entire unit.
18. To prevent injury, this apparatus must be securely attached to the stand in accordance with the installation instructions.
19. **WARNING:** The battery (battery or batteries or battery pack) shall not be exposed to excessive heat such as sunshine, fire or the like.
20. **CAUTION:** Danger of explosion if battery is incorrectly replaced. Replace only with the same or equivalent type.
21. **WARNING:** The mains plug/appliance coupler is used as disconnect device, the disconnect device shall remain readily operable.
22. Battery disposal should be drawn to environmental aspects and should be according to local law requirements.
23. No naked flame sources, such as lighted candles, should be placed on the apparatus.



Important Safety Information

FCC Notice

1. This device complies with Part 15 of the FCC Rules. Operation is subject to the following two conditions:
 - (1) This device may not cause harmful interference.
 - (2) This device must accept any interference received, including interference that may cause undesired operation.
2. Changes or modifications not expressly approved by the party responsible for compliance could void the user's authority to operate the equipment.

FCC Statement

This equipment has been tested and found to comply with the limits for a Class B digital device, pursuant to Part 15 of the FCC Rules. These limits are designed to provide reasonable protection against harmful interference in a residential installation.

This equipment generates uses and can radiate radio frequency energy and, if not installed and used in accordance with the instructions, may cause harmful interference to radio communications. However, there is no guarantee that interference will not occur in a particular installation. If this equipment does cause harmful interference to radio or television reception, which can be determined by turning the equipment off and on, the user is encouraged to try to correct the interference by one or more of the following measures:

- Reorient or relocate the receiving antenna.
- Increase the separation between the equipment and receiver.
- Connect the equipment into an outlet on a circuit different from that to which the receiver is connected.
- Consult the dealer or an experienced radio/TV technician for help.

RF Warning Statement

The device has been evaluated to meet general RF exposure requirement. The device can be used in portable exposure condition without restriction.

This device complies with RSS-310 of Industry Canada. Operation is subject to the condition that this device does not cause harmful interference.

Hereby, Samson Technologies Corp., declares that this Expedition XP310w is in compliance with the essential requirements and other relevant provisions of Directive 2014/53/EU. The declaration of conformity may be consulted at:

http://www.samsonetech.com/site_media/support/manuals/XP310w_DOC.pdf

ENGLISH

FRANÇAIS

DEUTSCHE

ESPAÑOL

ITALIANO

Introduction

Thank you for purchasing the XP310w battery-powered portable sound system, featuring wireless Bluetooth® connectivity. Lightweight and compact, the XP310w features 300 watts of power weighing only 27.5 pounds, making it an excellent complement to any mobile speaker application. The internal rechargeable battery provides up to 12 hours of continuous use. The XP310w can also be AC powered (with the included power cord). The locking telescopic handle and integrated wheels, make the XP310w easy to transport to any outing.

The XP310w is a complete all-in-one solution providing the flexibility of a four-channel mixer (with inputs for microphones and line level devices), a line output for linking multiple speakers, and Voiceover priority ducking. For a completely untethered performance, the XP310w includes a Samson Concert 88a Handheld Wireless system and an additional slot to add a second Concert 88a system. There is also a USB jack for adding a Samson XPD Series wireless system. Whether you are looking for a sound system for use outdoors, in the classroom, for karaoke, for presentations, or performing live music, the XP310w provides high quality, portable audio in a small self-powered package.

We recommend you keep the following records for reference, as well as a copy of your sales receipt.

Serial number: _____

Date of purchase: _____

If you have any questions or comments regarding the XP310w Portable PA System or any other products from Samson, do not hesitate to contact us at support@samsontech.com.

With proper care and maintenance, your XP310w Portable PA System will operate trouble-free for many years. Should your XP310w Portable PA System ever require servicing, a Return Authorization (RA) number must be obtained before shipping your unit to Samson. Without this number, the unit will not be accepted. Please visit www.samsontech.com/ra for an RA number prior to shipping your unit. Please retain the original packing materials and, if possible, return the unit in its original carton. If your XP310w Portable PA System was purchased outside of the United States, contact your local distributor.

Features

- 300 watt, all-in-one portable PA system that weighs 27.5lb
- 2-way speaker enclosure with 10" woofer and 1" tweeter
- Internal rechargeable lithium ion battery for up to 12 hours of continuous use
- Bluetooth connectivity to connect wireless music sources
- Includes Concert 88a Handheld Frequency-agile UHF Wireless System
- Top-mounted 4-channel mixer with microphone and line level inputs
- Master Bass and Treble EQ
- Variable reverb control for mic/wireless inputs
- Voiceover control with priority ducking
- Line output to daisy-chain multiple systems together
- USB wireless port for use with Samson XPD Series USB Digital Wireless Systems
- Locking telescopic handle and smooth rolling wheels for easy transport
- 1 3/8" speaker stand mount
- Two integrated microphone holders for wireless mic storage

XP310w Mixer Callouts

1. **MASTER VOLUME** - Used to control the overall level of the speaker system.

2. **MASTER BASS** - Controls the low-frequency tone of the entire system.

3. **MASTER TREBLE** - Controls the high-frequency tone of the entire system.

4. **CH1 VOLUME** - Controls the level of the Channel 1 Mic/ Line input.

5. **LINE / MIC Switch** - Adjusts the gain of the CH1 input for a microphone or line level device.

6. **CH1 Input** - XLR-1/4" input for connecting a microphone or a device with a line level signal.

7. **CH2 VOLUME** - Controls the level of the Channel 2 Aux input.

8. **AUX IN** - Connect a line level device using a 1/8" audio cable.

9. **CH3 WIRELESS VOLUME** - Controls the level of the Concert 88a wireless microphone receivers as well as the optional XPD USB wireless receiver.

10. **XPD WIRELESS Input** - Connect a Samson XPD USB digital wireless receiver to this input. The wireless receiver gets its power from the XP310w, so no additional power supply is needed.

11. **REVERB** - This knob is used to adjust the total amount of reverb added to Channel 1 and Channel 3 (wireless) input channels.

12. **BLUETOOTH® VOLUME** - Controls the level of the Bluetooth input.

13. **PAIR Button** - Press this button to enable pairing mode in order to connect to a Bluetooth audio device.

14. **Pairing Indicator** - Displays the Bluetooth status of the XP310w system.

15. **LINE OUT** - Line level 1/4" output jack to connect the XP310w to the input of another XP310w to create an expanded speaker system. The LINE OUT signal is before the MASTER VOLUME and EQ Controls.

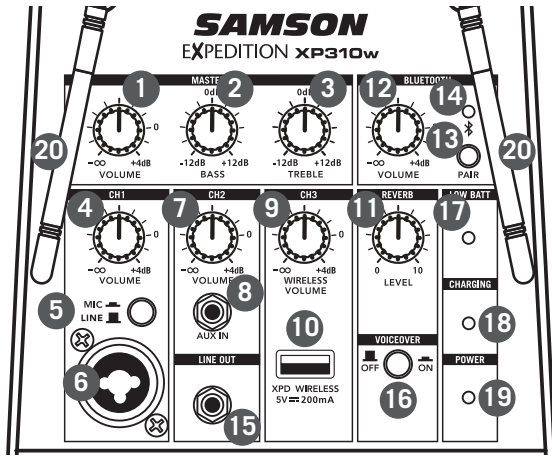
16. **VOICEOVER ON/OFF Switch** - Turns the VOICEOVER ducking on or off.

17. **LOW BATTERY Indicator** - This LED lights when the XP310w battery is low. When the light is on, it is recommended to plug the XP310w into an AC outlet.

18. **CHARGING Indicator** - When the XP310w is plugged in and the POWER switch is set to the RECHARGE position, the CHARGING indicator will illuminate RED while it is charging. Once charging is complete the indicator will turn off.

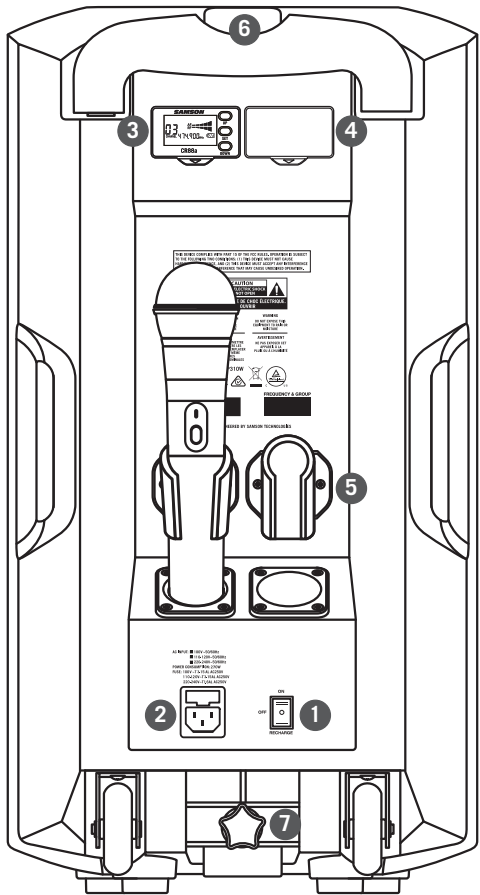
19. **POWER Indicator** - Lights green when the power switch is in the ON position.

20. **Antennas** - The antenna mountings allow full rotation for optimum placement. When using the Concert 88a wireless system, both antennas should be placed in a vertical position.

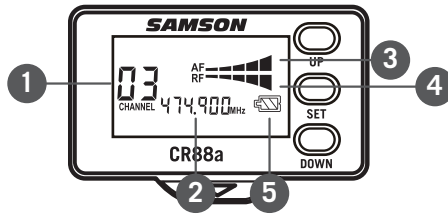


XP310w Rear Panel Callouts

1. **Power / Recharge Switch** - This three position switch is used to turn the XP310w ON, OFF or place the system into RECHARGE mode to charge the internal battery.
2. **AC INPUT** - Connect the supplied power cord here.
3. **CR88a Receiver** - Included frequency agile wireless UHF receiver.
4. **CR88a receiver cover/slot** - Extra slot to add an additional CR88a wireless receiver.
5. **Microphone storage** - Two slots to store wireless handheld transmitters.
6. **Telescopic handle** - Press button and pull up to extend the telescopic handle.
7. **Speaker stand receptacle** - 1 3/8" locking stand mount for placing the XP310w on a standard speaker stand.

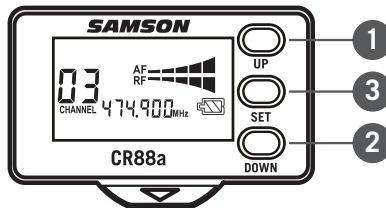


CR88a Receiver Display



1. **Channel** - Displays the selected channel number.
2. **Frequency** - Indicates the operating frequency of the selected channel.
3. **Audio Meter** - Displays the strength of the incoming audio signal.
4. **RF Signal Meter** - Displays the strength of the incoming radio signal.
5. **Transmitter Battery Level** - Indicates the battery level of the transmitter.

Using the CR88a Receiver



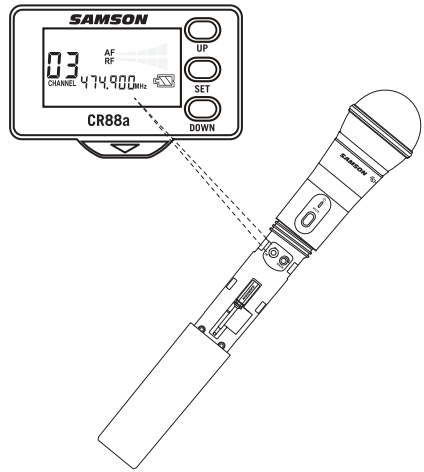
Selecting a channel

1. Short press the UP (1) & DOWN (2) buttons to step through the available channels.
2. Press and hold the UP (1) button for 3 seconds to enter IR Set mode to send the selected channel to the transmitter.
3. Press and hold the UP (1) button for more than 6 seconds to rapidly cycle through the channels. Once the button is released, the receiver will enter IR Set mode to send the selected channel to the transmitter.
4. Press and hold the DOWN (2) button for 3 seconds to enter scan mode. The CR88a will scan through the operating channels and find the optimal channel for performance. Once the scan is complete, the receiver will enter IR Set mode to send the selected channel to the transmitter.

Using the CR88a Receiver

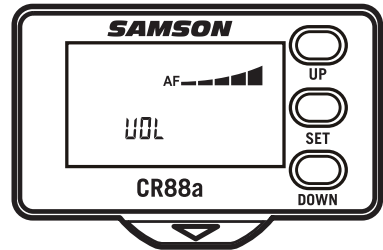
IR Set

5. Press and hold the UP (1) button for 3 seconds to enter IR Set mode to send the selected channel to the transmitter.
6. Position the transmitter about 6"–12" (15–30 cm) from the front of the CR88a receiver display with the transmitter's IR window (located in the battery compartment facing the receiver).
7. When the transmission of the operating channel is complete, the CR88a will receive RF signal and the RF Signal Meter will light indicating that it is receiving wireless signal from the transmitter.



Setting the receiver volume

8. Short press the SET (3) button to enter the receiver volume adjustment mode.
9. Press the UP (1) button to increase the receiver output level.
10. Press the DOWN (2) button to decrease the receiver output level.



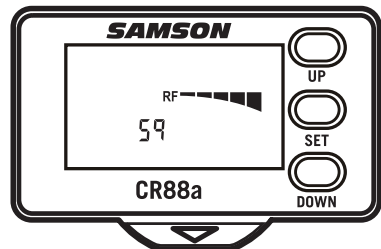
Adjusting the squelch

Squelch is a function of the receiver that passes audio when the desired radio signal is above the squelch threshold and mutes audio when the radio signal is below the threshold. The higher the squelch setting, the stronger the incoming signal will have to be in order for you to hear it.

To set your squelch level, place the wireless transmitter at the furthest distance you expect to use it and adjust the squelch level until it mutes the signal. Then adjust the squelch level back up until the wireless transmitter signal is heard.

The squelch level should be set just above the background radio signal noise. If the squelch setting is set too low, you will hear static noise pass through the receiver when the transmitter is turned off or out of range.

11. Short press the SET (3) button two times to enter the squelch adjustment mode.
12. Press the UP (1) button to increase the squelch threshold level.
13. Press the DOWN (2) button to decrease the squelch threshold level.

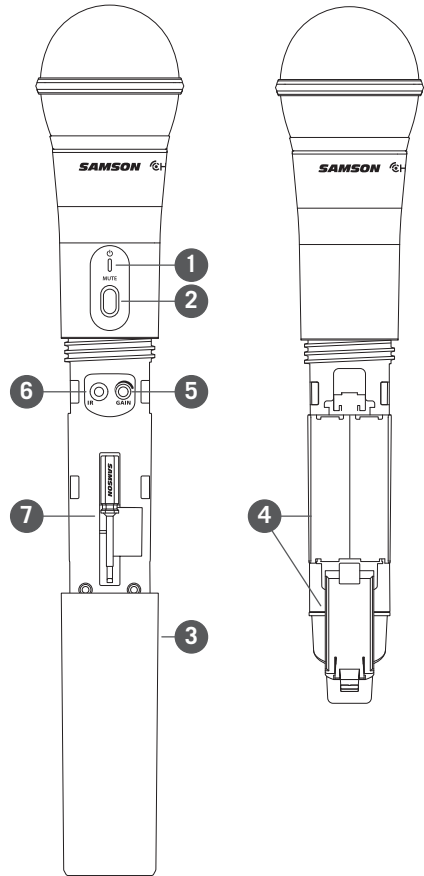


CH88 Handheld Transmitter Callouts

1. **Status Indicator** - This LED displays the operation mode:

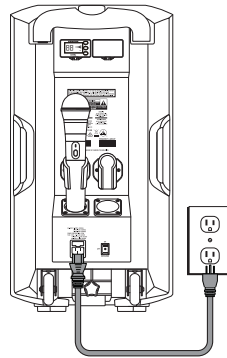
GREEN	Normal Operation
RED	Mute
Flashing GREEN	Low Battery

2. **Power/Mute Switch** - Press and hold to turn the unit on or off. Press and release to mute or unmute the transmitter.
3. **Battery Cover** - Unscrew the battery cover and slide down to open the CH88 battery compartment.
4. **Battery Holder** - Open the battery holder by pressing the tab and lifting the cover. Insert two standard AA (LR6) batteries here, being sure to observe the plus and minus polarity markings shown. Although rechargeable Ni-Cad batteries can be used, they do not supply adequate current for more than four hours.
WARNING: Do not insert the batteries backwards; doing so can cause severe damage to the CH88 and will void your warranty.
5. **Input GAIN Control** - This control adjusts the transmitter input sensitivity. For optimal performance, using the included screwdriver, set the input GAIN control to where you see the all of the CR88a AF indicators light under high levels, then turn down the control until the last indicator lights only during audio peaks.
6. **IR Lens** - This window is used to capture the infrared signal sent from the CR88a during the IR SET to channelize the transmitter. The battery cover must be open and the IR Lens facing towards the receiver to load the selected channel.
7. **Screwdriver** - Designed for use in adjusting the CH88 input GAIN control.



Quick Start

1. Set the XP310w power switch to the OFF position, and fully turn all of the LEVEL controls counterclockwise to 0.
2. If an outlet is available, connect the included power cord to the AC input of the speaker, and plug it into an electrical outlet.
3. Set the XP310w power switch to the ON position.
4. Connect your audio sources.
5. Turn the MASTER VOLUME control up and set the input levels, following the steps below.

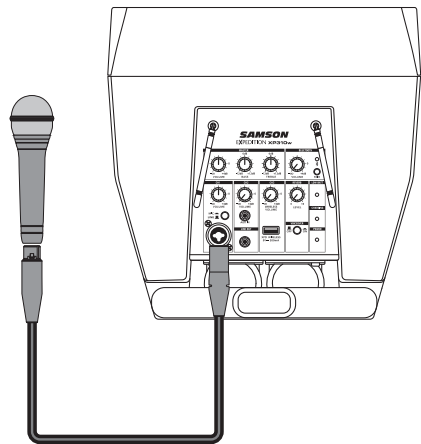


Making Connections

Channel 1 (Microphone / Line Input)

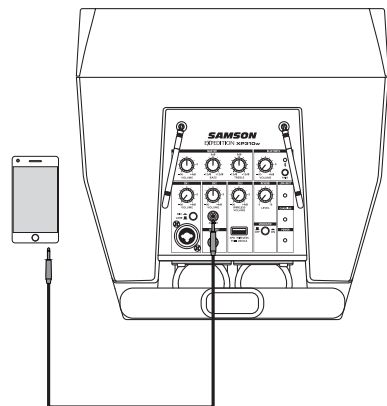
1. Connect a microphone using a standard XLR cable or line level equipment using a 1/4" instrument cable.
2. If connecting a microphone, set the LINE / MIC switch to the down (MIC) position. If connecting a line level device, set the LINE / MIC switch to the up (LINE) position.
3. While speaking into the microphone or playing music from a line level audio source, slowly raise the channel CH1 VOLUME control until you have reached the desired level.

NOTE: If not using the Channel 1 input, turn the VOLUME control all the way down to keep out any unwanted noise.

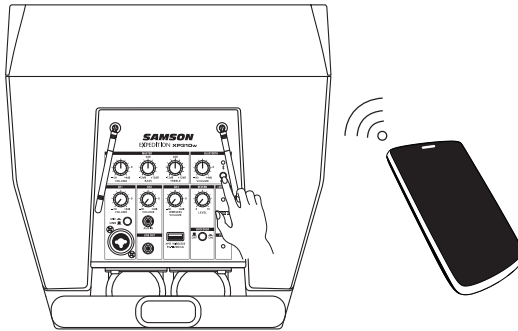


Channel 2 (Aux Input)

4. Connect a line level device using 1/8" instrument cable.
5. While playing music from a line level audio source, slowly raise the channel CH2 VOLUME control until you have reached the desired level.



Quick Start



Bluetooth®

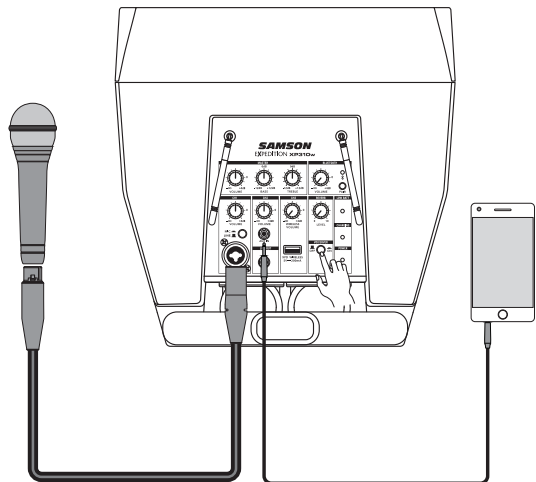
1. Turn the BLUETOOTH VOLUME control down counterclockwise to 0.
2. With the XP310w and your Bluetooth device powered on; press the PAIR button on the rear panel of the XP310w to make the speaker discoverable. The Bluetooth indicator will slowly flash blue.
3. In the settings of your Bluetooth device, set it to “discover” available devices.
4. From the Bluetooth device list, select the “Samson BLUETOOTH” device.
5. If your device asks for a passkey, enter digits 0000 (four zeros) and press OK. Some devices may also ask you to accept the connection.
6. The XP310w speaker indicates that pairing is complete when the indicator turns steady blue. You can now stream audio from your device to the XP310w speakers.
7. With the volume control on your Bluetooth device turned up, play some music, and slowly raise the XP310w BLUETOOTH VOLUME control until you have reached the desired level.

Using the Voiceover Switch

The XP310w Voiceover ducker is a sophisticated music and paging system where the background music will automatically lower when an announcement is made. The ducker can operate with sound coming from any of the wired or wireless microphone inputs.

When the VOICEOVER switch is pressed in, when ever signal is present at the Channel 1 microphone input, Concert 88a wireless inputs or XPD wireless input, the Channel 2 line level input and Bluetooth audio will automatically be lowered.

Once there is no input present on microphone and wireless microphone inputs, the line level input and Bluetooth audio will return to their normal levels.



Connecting Samson XPD Wireless

The following steps detail connecting a Samson XPD2 USB digital wireless system (sold separately) to your XP310w.

1. Plug the RXD2 USB receiver into one of the USB jacks on rear panel of the XP310w directly (figure 1) or using the included USB extension cable (figure 2).
2. Place a fresh set of AA (LR6) batteries in the transmitter battery holder, taking care to observe the polarity markings.
3. Turn the Channel 3 Wireless Volume knob completely counterclockwise, then turn the power of the XP310w to the ON position.
4. Turn on the power to the HXD1 handheld or PXD1 beltpack transmitter by pressing and holding Power switch; the indicator LED will light amber.
5. If the transmitter and receiver have not been previously paired, press and hold the button on the RXD2 receiver for >5 seconds, until it begins to flash. Press and continue to hold the Power button on the transmitter until the LED indicators on both units light steady, indicating that the receiver and transmitter are paired and ready for operation.
6. Speak or sing into the microphone at a normal performance level and raise the Channel 3 Wireless Volume knob on the XP310w until the desired level is reached.
7. If you hear distortion turn down the Channel 3 Wireless Volume on the XP310w. If distortion is still audible, use the supplied screwdriver to turn the Gain control in the HXD1 transmitter slowly counterclockwise until the distortion disappears.

Conversely, if you hear a weak, noisy signal at the desired volume level and with the Wireless level control of the XP310w is set to maximum, use the screwdriver to turn the Gain control in the HXD1 transmitter slowly clockwise until the signal reaches an acceptable level.

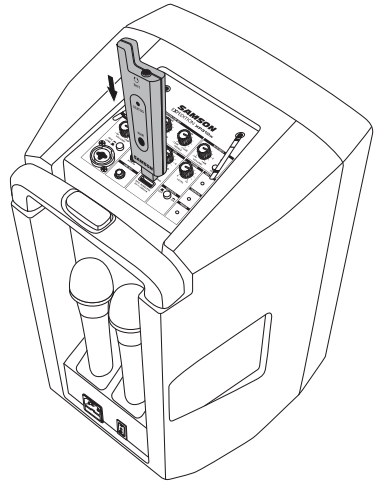


Figure 1

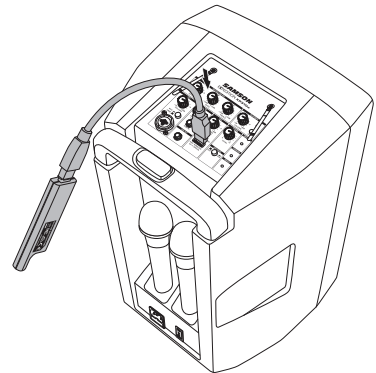
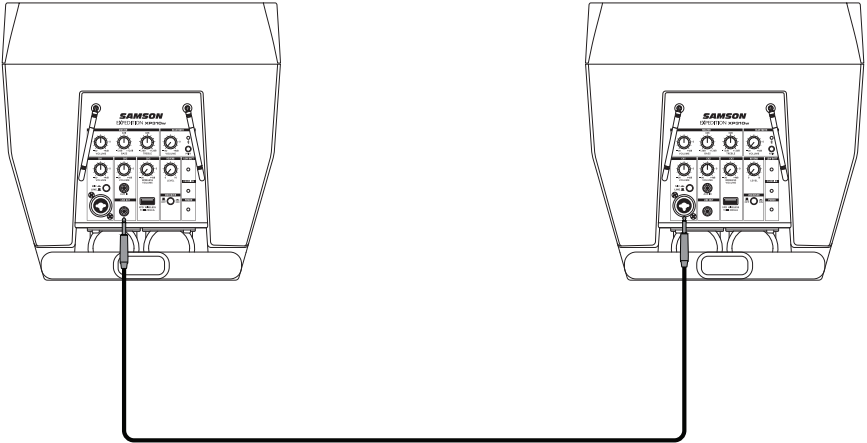


Figure 2

Using the LINE OUT Jack

The XP310w LINE OUT jack allows you to connect the XP310w with any powered speaker to expand your system or link two XP310w systems together to daisy chain the speakers.

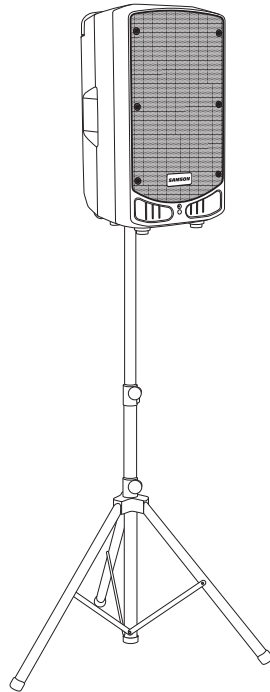
Using a standard shielded 1/4" instrument cable, connect the LINE OUT on the XP310w to a line level input of a second powered speaker. The XP310w will send a mix of all inputs, including Bluetooth® audio. Each channel VOLUME will control corresponding output level to the LINE OUT jack.



Using a Speaker Stand

The XP310w includes a 1 3/8" (35mm) pole mount receptacle on the bottom of the cabinet. This fits a standard 1-3/8" (35mm) speaker stand. For maximum coverage when using a speaker stand, the speaker should be raised above the heads of the listening audience.

Take care when placing the speaker on a stand, to ensure that it is on a level, steady surface and will not tip over. Use a stand designed to support a speaker with a minimum weight of 30lb.



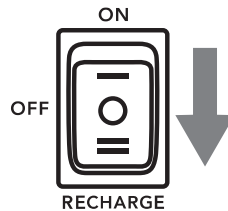
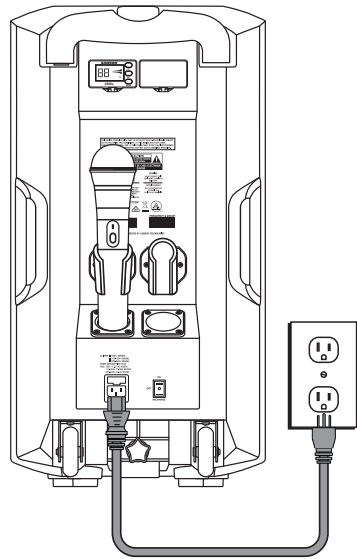
Charging the Battery

The XP310w has an internal, rechargeable battery capable of up to 12 hours of continuous audio on a full charge. Even though the system may have some charge when first taken out of the box, it is recommended to fully charge your XP310w before first using the system.

To charge the battery:

1. Connect the XP310w to an AC power outlet using the included power cable.
2. Set the power switch to the “RECHARGE” position.
3. While charging the CHARGING indicator will light red.
4. Keep the system plugged in until the CHARGING indicator changes to green, indicating the battery is fully charged.

If you find that the operation time of the XP310w becomes noticeably decreased, even after fully charging, the battery should be replaced. Contact Samson customer service or your local distributor for a replacement battery.



A warning that batteries (battery pack or batteries installed) shall not be exposed to excessive heat such as sunshine, fire or the like.

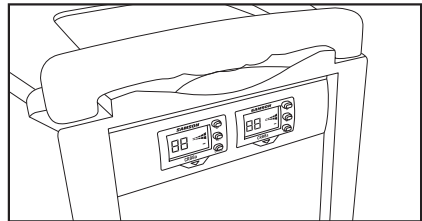
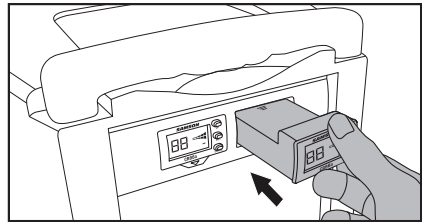
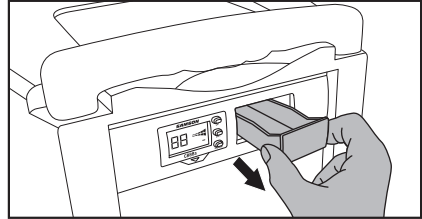
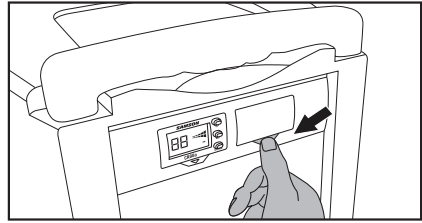
CAUTION: Danger of explosion if battery is incorrectly replaced. Replace only with the same or equivalent type. Attention should be drawn to the environmental aspects of battery disposal

Installing the CR88a Receiver

The XP310w comes with one CR88a receiver installed. You can add an additional CR88a receiver to the system. Follow these steps to install the receiver.

1. Turn the XP310w POWER off and leave the AC power cable disconnected until the installation process is completed.
2. Press the button with the arrow under the blank receiver panel until the panel pops out (you may need to use a non-marking tool).
3. Remove the blank panel by sliding it out of the XP310w.
4. Align the CR88a module with the open slot and slide the module in until it is fully seated in the XP310w.

Note: When using multiple systems, each system must be set to a different operating channel.



ENGLISH

FRANÇAIS

DEUTSCHE

ESPAÑOL

ITALIANO

Specifications

Output Power	300 watts Peak
Speakers	10" woofer + 1" tweeter
Frequency Response	50Hz–18kHz (-3dB)
Mic/Line Input	XLR-1/4" combo
Aux Input	1/8" Aux
Wireless Input	USB wireless
Outputs	1/4" Line
Tone Control	Master Bass & Treble EQ
Dynamics Control	Reverb, Voiceover (ducker)
Bluetooth	Bluetooth 4.0, A2DP
Working Frequency	2.402GHz~2.480GHz
RF Power	<10mW
Battery Life	Up to 12 hours by built-in Li-ion
Battery Charging	4-6 hours
Power Supply	AC:100-120V/220-240V, 50~60Hz
Construction	Polypropylene
Grille	Perforated steel grille, powder coated
Mounting	Integral 1 3/8" Pole Mount Receptacle
Wireless Receiver	Samson CR88a
Wireless Sensitivity	-100 dBm / 30 dB sinad
Wireless Image Rejection	>50 dB
Wireless Working Range	100' (30m) line-of-sight
Operating Temperature	-10°C ~ +40°C
Dimensions (LxDxH)	12.25" x 12.25" x 22 310mm x 310mm x 560mm
Weight	27.5 lb / 12.5 kg

CH88 Handheld Transmitter

Microphone Element	Dynamic
Input Gain Range	28 dB
RF Power	10 mW EIRP
Power Requirements	Two AA (LR6) alkaline batteries
Battery Life	8 hours
Dimensions (HxØ)	10.23" x 2.1" 260mm x 54mm
Weight	0.48 lb / 218 g

Concert 88a Operating Bands and Frequency Ranges

Band	Frequency Range
K ^a	470–494 MHz
D ^a	542–566 MHz
IL*	794–806 MHz
B*	806–810 MHz
G*	863–865 MHz

* Not for use in the USA and Canada.

European Frequency Operation

Note: This equipment is intended for professional musical and similar applications, and may be capable of operating on some frequencies not authorized in your region. Please contact your national authority to obtain information on authorized frequencies for wireless microphone products in your region.

Band	Frequency Range	EU Country Codes	Note
K ^a	470–494 MHz	AT, BE, BG, CY, CZ, DK, EE, FI, FR, DE, GR, HU, IS, IE, IT, LV, LT, LU, MT, NL, NO, PL, PT, RO, SK, SI, ES, SE, CH, UK	
D**	542–566 MHz		
IL**	794–806 MHz		For use in Israel
B**	806–810 MHz		For use in Japan
G	863–865 MHz	AT, BE, BG, CY, CZ, DK, EE, FI, FR, DE, GR, HU, IS, IE, IT, LV, LT, LU, MT, NL, NO, PL, PT, RO, SK, SI, ES, SE, CH, UK	License Free

** Not for use in the EU.

^a Licensing: Note that a ministerial license to operate this equipment may be required in certain areas. Consult your national authority for possible requirements. Licensing of Samson wireless microphone equipment is the user's responsibility, and licensability depends on the user's classification and application, and on the selected frequency.

Consignes importantes de sécurité



**AVIS
RISQUE DE CHOC ÉLECTRONIQUE -
NE PAS OUVRIR**



Le pictogramme avec un éclair dans un triangle équilatéral informe l'utilisateur de la présence d'une « tension dangereuse » et non isolée dans l'appareil. Cette tension constitue un risque d'électrocution.



Le pictogramme avec un point d'exclamation dans un triangle informe l'utilisateur d'instructions importantes relatives à l'utilisation et à la maintenance de l'appareil.

AVERTISSEMENT : POUR ÉVITER TOUT RISQUE D'ÉLECTROCUTION, NE PAS ÔTER LE COUVERCLE OU LE DOS DU BOÎTIER, CAR CET APPAREIL NE CONTIENT AUCUNE PIÈCE REMPLAÇABLE PAR L'UTILISATEUR. CONFIEZ TOUTES LES RÉPARATIONS À UN MEMBRE DE PERSONNEL QUALIFIÉ.



Si vous souhaitez vous débarrasser de ce produit, ne le jetez pas avec les ordures ménagères. Il existe un service de collecte spécifique aux produits électroniques usagés. Ce service est conforme aux dispositions légales sur le traitement, la récupération et le recyclage.


Les consommateurs des 28 pays membres de l'UE, de la Suisse et de la Norvège peuvent renvoyer gratuitement leurs produits électroniques usagés dans des points de collecte désignés ou auprès d'un revendeur (lorsqu'un nouveau produit est acheté).

Pour les autres pays, veuillez contacter votre administration locale pour connaître la méthode de mise au rebut appropriée.

En procédant ainsi, vous êtes assuré que votre produit sera correctement traité, récupéré et recyclé afin de prévenir les effets négatifs possibles sur l'environnement et la santé.

La marque et les logos *Bluetooth®* déposées appartenant à Bluetooth SIG, Inc. et toute utilisation de ces marques par Samson Technologies est effectuée sous licence. Les autres marques et noms commerciaux sont ceux de leurs propriétaires respectifs."

Consignes importantes de sécurité

1. Lisez ces instructions.
 2. Conservez ces instructions.
 3. Lisez avec attention tous les avertissements.
 4. Suivez toutes les instructions.
 5. N'utilisez pas cet appareil près d'une source d'eau.
 6. Nettoyez l'appareil uniquement avec un chiffon sec.
 7. N'obstruez pas les fentes prévues pour la ventilation. Installez l'appareil selon les instructions du fabricant.
 8. N'installez pas l'appareil à proximité de sources de chaleur telles que radiateurs, bouches d'air chaud, poêles ou autres appareils (y compris les amplificateurs) susceptibles de générer de la chaleur.
 9. Ne défaites pas le dispositif de sécurité de la fiche polarisée ou de mise à la terre. Une fiche polarisée possède deux lames dont l'une est plus large que l'autre. Une fiche de type terre possède deux lames et une troisième broche de mise à la terre. La lame la plus large ou la troisième broche assure la sécurité de l'utilisateur. Si la fiche fournie ne rentre pas dans votre prise, consultez un électricien pour remplacer la prise obsolète.
 10. Protégez le cordon d'alimentation pour éviter qu'il ne soit piétiné ou pincé, notamment au niveau des prises, des réceptacles et à la sortie de l'appareil.
 11. Utilisez uniquement les accessoires/équipements recommandés par le fabricant.
 12. Utilisez uniquement le chariot, le pied, le trépied, le support ou la table recommandé par le fabricant, ou fourni avec l'appareil. Lors de l'utilisation d'un chariot, veuillez déplacer l'ensemble chariot/appareil avec précaution afin d'éviter toute blessure en cas de renversement.
- 
13. Débranchez l'appareil en cas d'orage ou d'inutilisation prolongée.
 14. Confiez toute réparation à un membre de personnel qualifié. L'intervention d'un technicien s'impose dans les cas où le cordon d'alimentation ou la prise secteur sont endommagés, des corps étrangers se sont introduits dans l'appareil, l'appareil a été exposé à la pluie ou à l'humidité, l'appareil montre des signes de dysfonctionnement ou est tombé.
 15. Cet appareil ne doit pas être exposé à des éclaboussures ou des gouttes d'eau et aucun objet rempli de liquide, tel qu'un vase, ne doit être placé sur l'appareil.
 16. Attention - afin d'éviter tout risque d'électrocution, n'insérez la lame large que dans la fente large de la prise.
 17. Veillez à maintenir une ventilation adéquate autour de l'appareil.
 18. Afin d'éviter tout risque de blessure, cet appareil doit être fermement fixé au support selon les instructions d'installation.
 19. **AVERTISSEMENT** : Les batteries (les piles ou les bloc-batteries) ne doivent pas être exposées à une chaleur excessive telle que le soleil, le feu ou autre source de chaleur similaire.
 20. **ATTENTION** : Un remplacement inadéquat de la batterie risque de provoquer une explosion. Remplacez les batteries exclusivement par des batteries identiques ou équivalentes.
 21. **AVERTISSEMENT** : La prise électrique ou le coupleur est utilisé(e) comme dispositif de débranchement qui doit toujours être en état de marche.
 22. L'élimination des batteries doit être conforme aux normes environnementales et aux lois locales en vigueur.
 23. Ne placez aucune source de flamme nue, comme des bougies allumées, sur l'appareil.

Consignes importantes de sécurité

Avis de la FCC

1. Cet appareil est conforme à l'alinéa 15 des règlements FCC. Le fonctionnement est soumis aux deux conditions suivantes :

- (1) Cet appareil ne doit pas causer d'interférences nuisibles.
- (2) Cet appareil doit accepter toute interférence reçue, y compris celles susceptibles de provoquer son fonctionnement défectueux.

2. Tout changement ou modification apporté à l'appareil sans l'approbation des autorités compétentes peut annuler l'autorisation de l'utiliser.

Déclaration de la FCC

Cet appareil a été testé et déclaré conforme aux limites imposées aux appareils numériques de classe B, conformément à l'alinéa 15 des règlements FCC. Ces limites sont destinées à assurer une protection efficace contre les interférences dans un environnement résidentiel.

Cet appareil génère, utilise et peut émettre de l'énergie radiofréquence et, s'il n'est pas installé et utilisé conformément au manuel d'utilisation, risque de provoquer des interférences. Cependant, tout risque d'interférence ne peut être totalement exclu. S'il constate des interférences lors de la réception d'émissions de radio ou de télévision (il suffit pour le vérifier d'allumer et d'éteindre successivement l'appareil), l'utilisateur devra prendre les mesures nécessaires pour les éliminer. À cette fin, il devra :

- Réorienter ou déplacer l'antenne réceptrice.
- Augmenter la distance entre l'appareil et le récepteur.
- Brancher l'appareil sur un autre circuit que celui du récepteur.
- Consulter le revendeur ou un technicien de radio/TV expérimenté.

Déclaration d'avertissement RF

L'appareil est conforme aux normes générales d'exposition aux radiofréquences. L'appareil peut être utilisé sans aucune restriction dans des conditions d'exposition portable.

Cet appareil est conforme à la norme RSS-310 d'Industrie Canada. Le fonctionnement est soumis à la condition que cet appareil ne cause pas d'interférences nuisibles.

Par la présente, Samson Technologies Corp. déclare que l'appareil Expedition XP310w est conforme aux principales exigences et autres clauses pertinentes de la directive 2014/53/UE. La déclaration de conformité peut être consultée sur le site : http://www.samsontech.com/site_media/support/manuals/XP310w_DOC.pdf

Introduction

Merci d'avoir acheté le système de sonorisation portable XP310w alimenté par batterie. Il est doté d'une connectivité Bluetooth® sans fil. Léger et compact, le XP310w dispose d'une puissance de 300 watts et ne pèse que 27,5 livres, le rendant un excellent complément à toute application nécessitant une enceinte portable. La batterie interne rechargeable fournit jusqu'à 12 heures d'utilisation continue. Le XP310w peut également être alimenté en courant alternatif (avec le cordon d'alimentation fourni). La poignée télescopique verrouillable et les roues intégrées facilitent le déplacement du XP310w dans toutes les sorties.

Le XP310w est une solution clé en main offrant la polyvalence d'une console de mixage à quatre canaux (avec entrées pour les microphones et appareils de niveau ligne), une sortie directe pour relier plusieurs enceintes et une atténuation voix-off. Pour des performances tout à fait exceptionnelles, le XP310w comprend un système sans fil portable Samson Concert 88a et un port supplémentaire pour ajouter un second système Concert 88a. Une prise USB permet également d'ajouter un système sans fil Samson de la série XPD. Pour vos besoins de sonorisation à l'extérieur, en classe, au karaoké, en studio ou en concert, le XP310w offre un son portable de haute qualité dans un petit boîtier autonome.

Nous vous recommandons de conserver les documents suivants à titre de référence, ainsi qu'une copie de votre reçu de caisse.

Numéro de série : _____

Date d'achat : _____

Si vous avez des questions ou des commentaires concernant le système de sonorisation portable XP310w ou tout autre produit de Samson, n'hésitez pas à nous contacter à support@samsontech.com.

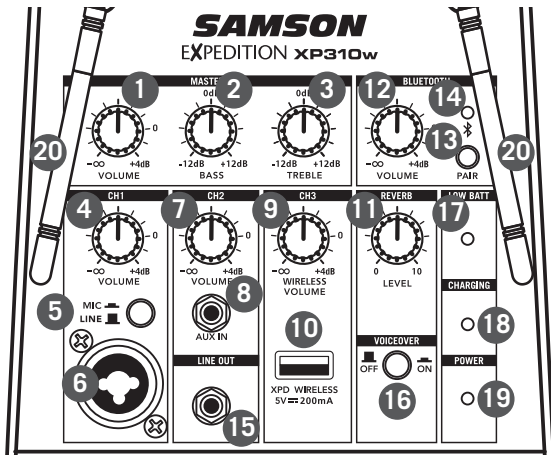
Avec un entretien et une maintenance appropriés, votre système de sonorisation portable XP310w vous donnera satisfaction pendant de nombreuses années. Si votre système de sonorisation portable XP310w doit être réparé, vous devez obtenir un numéro d'autorisation de retour (RA) avant d'expédier votre appareil à Samson. Sans ce numéro, l'appareil ne sera pas accepté. Veuillez consulter le site www.samsontech.com/ra pour obtenir un numéro RA avant d'expédier votre appareil. Veuillez conserver les matériaux d'emballage d'origine et, si possible, retourner l'appareil dans son emballage d'origine. Si votre système de sonorisation portable XP310w a été acheté en dehors des États-Unis, contactez votre distributeur local.

Caractéristiques

- Système de sonorisation portatif tout-en-un de 300 wattspesant 27,5 lb.
- Enceinte acoustique à 2 canaux avec woofer de 10" et tweeter de 1".
- Batterie interne au lithium-ion rechargeable pour une utilisation continue pouvant durer 12 heures
- Connectivité Bluetooth pour connecter des sources musicales sans fil
- Comprend le système portable sans fil Concert 88a agile en fréquence UHF
- Console de mixage à 4 canaux avec entrées microphone et niveau ligne au sommet de l'appareil
- Égaliseur Master de graves et d'aigus
- Commande de réverbération variable pour les entrées micro/sans fil
- Commande d'atténuation de voix-off
- Sortie de ligne vers plusieurs systèmes connectés en série.
- Port USB sans fil pour utilisation avec les systèmes numériques sans fil Samson de la série XPD USB
- L'appareil se transporte aisément grâce à sa poignée télescopique verrouillable et ses roues à roulement facile.
- Support pour enceinte de 1 3/8 po
- Deux porte-microphones intégrés pour l'entreposage des microphones sans fil

Indications de la console de mixage XP310w

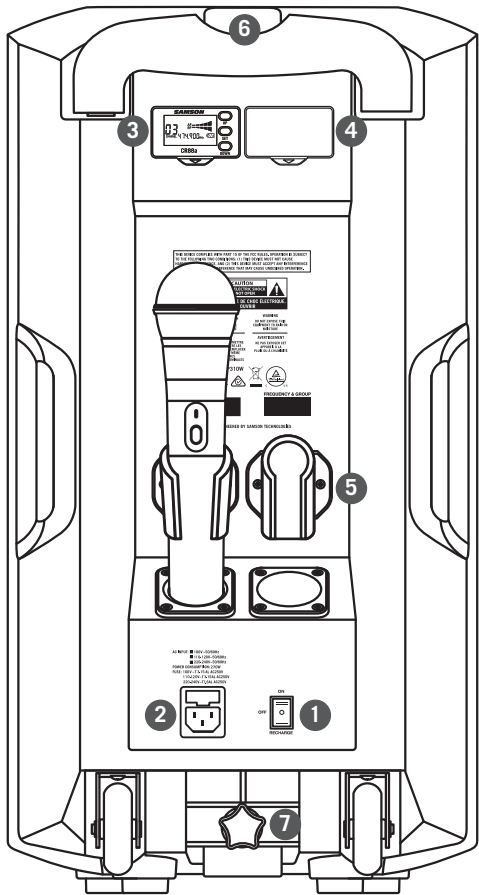
- 1. MASTER VOLUME** - Permet de contrôler le niveau global du système d'enceintes.
- 2. MASTER BASS** - Contrôle la tonalité basse fréquence du système complet.



- 3. MASTER TREBLE** - Contrôle la tonalité haute fréquence du système complet.
- 4. CH1 VOLUME** - Contrôle le niveau de l'entrée micro/ ligne du canal 1.
- 5. Interrupteur LINE / MIC** - Permet de régler la puissance de l'entrée CH1 pour un microphone ou un appareil de niveau ligne.
- 6. Entrée CH1** - Entrée XLR-1/4" pour brancher un microphone ou un appareil avec un signal de niveau ligne.
- 7. CH2 VOLUME** - Contrôle le niveau de l'entrée auxiliaire du canal 2.
- 8. AUX IN** - Branchez un appareil de niveau ligne à l'aide d'un câble audio de 1/8".
- 9. CH3 VOLUME SANS FIL** - Contrôle le niveau des récepteurs micro sans fil Concert 88a ainsi que le récepteur sans fil USB XPD en option.
- 10. Entrée SANS FIL XPD** - Branchez un récepteur numérique sans fil USB Samson XPD à cette entrée. Le récepteur sans fil est alimenté par le XP310w, de sorte qu'aucune alimentation supplémentaire n'est nécessaire.
- 11. REVERB** - Ce bouton sert à régler la quantité totale de réverbération ajoutée aux canaux d'entrée des canaux 1 et 3 (sans fil).
- 12. BLUETOOTH® VOLUME** - Contrôle le niveau de l'entrée Bluetooth.
- 13. Bouton PAIR** - Appuyez sur ce bouton pour activer le mode d'appariement afin de vous connecter à un appareil audio Bluetooth.
- 14. Témoin d'appariement** - Affiche l'état Bluetooth du système XP310w.
- 15. LINE OUT** - Prise de sortie niveau ligne de 1/4" pour connecter le XP310w à l'entrée d'un autre XP310w afin de créer un système d'enceintes étendu. Le signal LINE OUT se trouve avant les commandes MASTER VOLUME et EQ.
- 16. Interrupteur VOICEOVER ON/OFF** - Active ou désactive l'atténuation de VOIX-OFF.
- 17. Témoin de BATTERIE FAIBLE** - Ce témoin DEL s'allume lorsque la batterie du XP310w est faible. Si le témoin s'allume, il est recommandé de brancher le XP310w sur une prise secteur.
- 18. Témoin de CHARGE** - Lorsque le XP310w est branché et que l'interrupteur POWER est sur RECHARGE, le témoin CHARGE va s'allumer en rouge pendant la charge. Une fois la charge terminée, le témoin va s'éteindre.
- 19. Témoin POWER** - S'allume en vert lorsque l'interrupteur d'alimentation est sur ON.
- 20. Antennes** - Les fixations d'antenne assurent une rotation complète pour un positionnement optimal. Lors de l'utilisation du système sans fil Concert 88a, les deux antennes doivent être placées en position verticale.

Indications du panneau arrière pour XP310w

1. **Interrupteur d'alimentation / de recharge** - Cet interrupteur a trois positions sert à allumer, éteindre ou mettre le XP310w en mode RECHARGE pour charger la batterie interne.
2. **ENTRÉE CA** - Branchez ici le cordon d'alimentation fourni.
3. **Récepteur CR88a** - Récepteur UHF sans fil agile en fréquence inclus.
4. **Couvercle du récepteur CR88a /port** - Un port supplémentaire permet d'ajouter un autre récepteur sans fil CR88a.
5. **Entreposage du microphone** - Deux emplacements pour entreposer les émetteurs portatifs sans fil.
6. **Poignée télescopique** - Appuyez sur le bouton et tirez vers le haut pour allonger la poignée télescopique.
7. **Socle pour pied de l'enceinte** - Socle pour pied verrouillable de 1 3/8" permettant de placer le XP310w sur un pied de haut-parleur standard.



ENGLISH

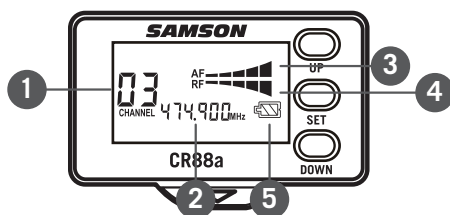
FRANÇAIS

DEUTSCHE

ESPAÑOL

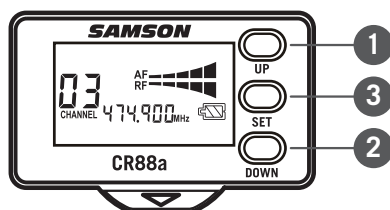
ITALIANO

Affichage du récepteur CR88a



1. **Canal** - Affiche le numéro du canal sélectionné.
2. **Fréquence** - Indique la fréquence de fonctionnement du canal sélectionné.
3. **Audiomètre** - Affiche l'intensité du signal audio entrant.
4. **Compteur de signaux RFRF** - Affiche l'intensité du signal radio entrant.
5. **Niveau de pile batterie de l'émetteur** - Indique le niveau de pile batterie de l'émetteur.

Utilisation du récepteur CR88a



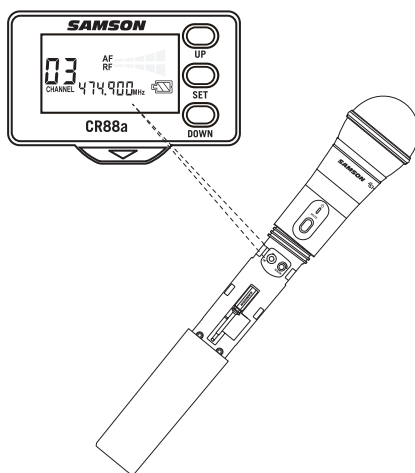
Sélection d'un canal

1. Appuyez brièvement sur les touches UP (1) et DOWN (2) pour parcourir les canaux disponibles.
2. Appuyez sur la touche UP (1) et maintenez pendant 3 secondes pour passer en mode Réglage IR afin d'envoyer le canal sélectionné à l'émetteur.
3. Appuyez sur la touche UP (1) et maintenez pendant plus de 6 secondes pour passer rapidement d'un canal à l'autre. Une fois la touche relâchée, le récepteur passe en mode Réglage IR pour envoyer le canal sélectionné à l'émetteur.
4. Appuyez sur la touche DOWN (2) et maintenez pendant 3 secondes pour passer en mode balayage. Le CR88a va balayer les canaux disponibles et trouver celui qui convient pour une utilisation optimale. Une fois le balayage terminé, le récepteur passe en mode Réglage IR pour envoyer le canal sélectionné à l'émetteur.

Utilisation du récepteur CR88a

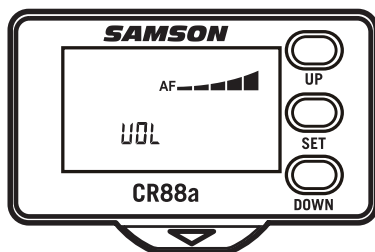
Réglage IR

5. Appuyez sur la touche UP (1) et maintenez pendant 3 secondes pour passer en mode Réglage IR afin d'envoyer le canal sélectionné à l'émetteur.
6. Positionnez l'émetteur à environ 6"-12" (15-30 cm) de l'avant de l'affichage du récepteur CR88a en plaçant la fenêtre IR de l'émetteur (située dans le compartiment à batteries) face au récepteur face au récepteur.
7. Lorsque la transmission du canal utilisé est terminée, le CR88a reçoit le signal RF et le témoin de signal RF va s'allumer pour indiquer qu'il reçoit le signal radio de l'émetteur.



Réglage du volume du récepteur

8. Appuyez brièvement sur la touche SET (3) pour accéder au mode de réglage du volume du récepteur.
9. Appuyez sur la touche UP (1) pour augmenter le niveau de sortie du récepteur.
10. Appuyez sur la touche DOWN (2) pour diminuer le niveau de sortie du récepteur.



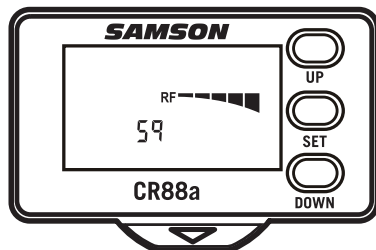
Réglage du silencieux de recherche

Le silencieux de recherche est une fonction du récepteur qui transmet l'audio lorsque le signal radio désiré est supérieur au seuil du silencieux et coupe le son lorsque le signal radio est inférieur à ce seuil. Plus le réglage du silencieux de recherche est élevé, plus le signal d'entrée doit être puissant pour que vous puissiez l'entendre.

Pour régler votre niveau de silencieux de recherche, placez l'émetteur sans fil à la distance la plus éloignée à laquelle vous pensez l'utiliser et réglez le niveau du silencieux jusqu'à ce qu'il coupe le signal. Réglez ensuite le niveau du silencieux de recherche jusqu'à ce que le signal de l'émetteur sans fil retentisse.

Le niveau du silencieux de recherche doit être réglé légèrement au-dessus du bruit de fond du signal radio. Si le réglage du silencieux de recherche est trop bas, vous entendrez du bruit statique à travers le récepteur si l'émetteur est éteint ou hors de portée.

11. Appuyez brièvement deux fois sur la touche SET (3) pour accéder au mode de réglage du silencieux de recherche.
12. Appuyez sur la touche UP (1) pour augmenter le niveau du seuil du silencieux.
13. Appuyez sur la touche DOWN (2) pour diminuer le niveau du seuil du silencieux.

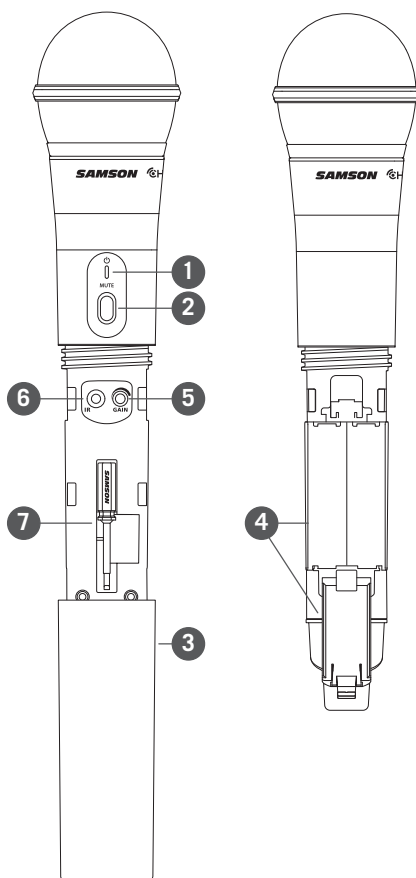


Indications de l'émetteur portatif CH88

1. **Indicateur Témoin d'état** - Cette Ce témoin DEL indique le mode de fonctionnement :

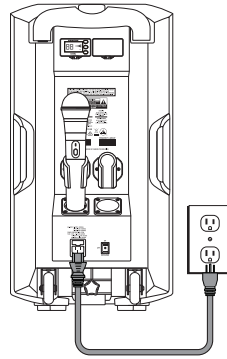
VERT	Fonctionnement normal
ROUGE	Muet
Clignote en VERT	Batterie faible

2. **Interrupteur marche/arrêt** - Appuyez et maintenez pour allumer ou éteindre l'appareil. Appuyez et relâchez la touche pour couper ou rétablir le son de l'émetteur.
3. **Couvercle du compartiment à batteries** - Dévissez le couvercle des batteries et faites-le glisser vers le bas pour ouvrir le compartiment à batteries du CH88.
4. **Porte-batteries** - Ouvrez le porte-batteries en appuyant sur la languette et en soulevant le couvercle. Insérez ici deux batteries AA (LR6) standard en veillant à respecter les polarités plus et moins indiquées. Bien que des batteries rechargeables Ni-Cad puissent être utilisées, elles ne fournissent pas un courant suffisant pour plus de quatre heures.
AVERTISSEMENT : N'insérez pas les batteries à l'envers ; vous risqueriez d'endommager gravement le CH88 et d'annuler votre garantie.
5. **Contrôle de la PUISSANCE d'entrée** - Ce contrôle ajuste la sensibilité de l'émetteur à l'entrée. Pour une performance optimale, à l'aide du tournevis fourni, réglez la commande de PUISSANCE d'entrée où vous voyez tous les témoins lumineux du CR88a AF sous des niveaux élevés, puis baissez la commande jusqu'à ce que le dernier témoin ne s'allume que pendant les pics audio.
6. **Objectif IR** - Cette fenêtre sert à capturer le signal infrarouge envoyé par le CR88a pendant le réglage IR SET pour canaliser l'émetteur. Le couvercle du compartiment à batteries doit être ouvert et l'objectif IR orienté vers le récepteur pour charger le canal sélectionné.
7. **Tournevis** - Conçu pour le réglage de la commande de PUISSANCE d'entrée du CH88.



Démarrage rapide

1. Mettez l'interrupteur d'alimentation du XP310w sur OFF et tournez complètement toutes les commandes LEVEL dans le sens antihoraire jusqu'à 0.
2. Si vous disposez d'une prise, branchez le cordon d'alimentation fourni sur l'entrée CA de l'enceinte et insérez-le dans une prise électrique.
3. Mettez l'interrupteur d'alimentation du XP310w sur ON.
4. Branchez vos sources audio.
5. Montez la commande MASTER VOLUME et réglez les niveaux d'entrée, en suivant les étapes ci-dessous.

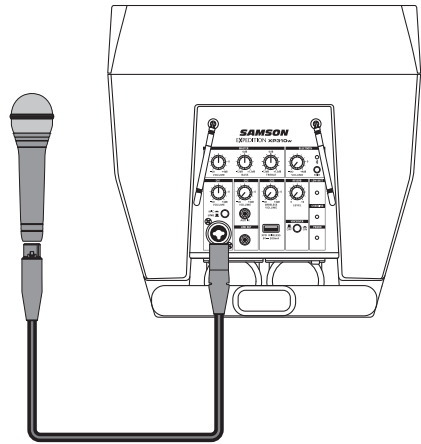


Connexions

Canal 1 (Entrée microphone / ligne)

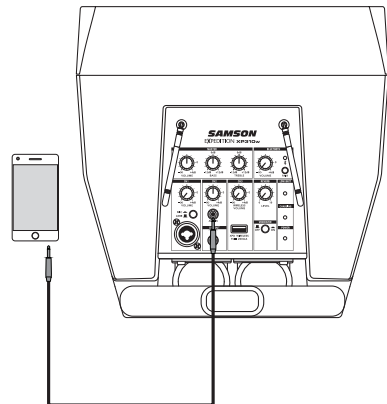
1. Branchez un microphone à l'aide d'un câble XLR standard ou un équipement de niveau ligne à l'aide d'un câble instrument 1/4".
2. Si vous branchez un microphone, placez l'interrupteur LINE / MIC sur (MIC). Si vous branchez un appareil de niveau ligne, placez le commutateur LINE / MIC sur (LINE).
3. Pour parler dans le microphone ou jouer de la musique à partir d'une source audio de niveau ligne, montez lentement la commande de volume du canal CH1 jusqu'à ce que vous ayez atteint le niveau souhaité.

Remarque : Si vous n'utilisez pas l'entrée du canal 1, montez la commande VOLUME pour éviter tout bruit indésirable.

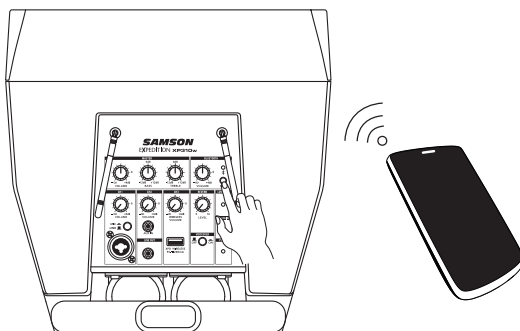


Canal 2 (entrée auxiliaire)

4. Branchez un appareil de niveau ligne à l'aide d'un câble instrument de 1/8".
5. Pour écouter de la musique à partir d'une source audio de niveau ligne, montez lentement la commande du canal CH2 VOLUME jusqu'à ce que vous ayez atteint le niveau souhaité.



Démarrage rapide



Bluetooth®

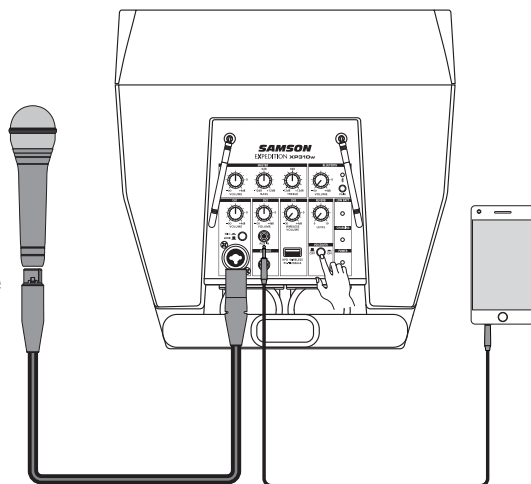
1. Baissez la commande BLUETOOTH VOLUME dans le sens antihoraire jusqu'à 0.
2. Lorsque le XP310w et votre appareil Bluetooth sont sous tension, appuyez sur la touche PAIR au dos du XP310w pour que l'enceinte puisse être détectée. Le témoin Bluetooth clignotera lentement en bleu.
3. Dans les réglages de votre appareil Bluetooth, réglez-le sur "détecter" les appareils disponibles.
4. Dans la liste des appareils Bluetooth, sélectionnez l'appareil "Samson BLUETOOTH".
5. Entrez les chiffres 0000 (quatre zéros) et appuyez sur OK si votre appareil vous demande un mot de passe. Certains appareils peuvent également vous demander d'accepter la connexion.
6. Pour indiquer que l'appariement est terminé, le témoin de l'enceinte XP310w devient bleu fixe. Vous pouvez maintenant diffuser de la musique en streaming de votre appareil vers les enceintes du XP310w.
7. Une fois la commande de volume de votre appareil Bluetooth activée, écoutez de la musique et montez lentement la commande XP310w BLUETOOTH VOLUME jusqu'au niveau souhaité.

Utilisation de l'interrupteur de voix-off

L'atténuateur de voix-off XP310w est un système sophistiqué de musique et de radiomessagerie où la musique de fond diminuera automatiquement à l'annonce d'un message. L'atténuateur peut fonctionner avec le son provenant de n'importe laquelle des entrées micro filaires ou sans fil.

Lorsque l'interrupteur VOICEOVER est activé, chaque fois qu'un signal est détecté sur l'entrée microphone du canal 1, les entrées sans fil Concert 88a ou l'entrée sans fil XPD, l'entrée niveau ligne du canal 2 et l'audio Bluetooth sont automatiquement baissés.

Si aucune entrée n'est détectée sur les entrées microphone et microphone sans fil, l'entrée de niveau ligne et l'audio Bluetooth reviennent à leur niveau normal.



Connexion du Samson XPD sans fil

Les étapes suivantes vous expliquent comment connecter un système sans fil numérique USB Samson XPD2 (vendu séparément) à votre XP310w.

1. Branchez le récepteur USB RXD2 dans l'une des prises USB au dos du XP310w directement (figure 1) ou en utilisant le câble d'extension USB fourni (figure 2).
2. Insérez un jeu de batteries AA (LR6) neuves dans le porte-batteries de l'émetteur en veillant à respecter les polarités indiquées.
3. Montez complètement le volume sans fil du canal 3 dans le sens antihoraire, puis mettez le XP310w sur ON.
4. Mettez l'émetteur portatif HXD1 ou la loco-commande PXD1 sous tension en appuyant sur l'interrupteur POWER et en le maintenant enfoncé ; le voyant va s'allumer en orange.
5. Si l'émetteur et le récepteur n'ont pas encore été appariés, appuyez sur la touche du récepteur RXD2 et maintenez pendant > 5 secondes, jusqu'à ce qu'il commence à clignoter. Appuyez sur la touche POWER de l'émetteur et maintenez-la jusqu'à ce que les témoins DEL des deux appareils deviennent fixes, indiquant que le récepteur et l'émetteur sont appariés et prêts à fonctionner.
6. Parlez ou chantez dans le microphone à un niveau de performance normal et montez le volume sans fil du canal 3 sur le XP310w jusqu'à ce que le niveau souhaité soit atteint.
7. Si vous entendez une distorsion, baissez le volume sans fil du canal 3 sur le XP310w. Si la distorsion est toujours audible, utilisez le tournevis fourni pour tourner lentement la commande de puissance de l'émetteur HXD1 dans le sens antihoraire jusqu'à ce que la distorsion disparaisse. Inversement, si vous entendez un signal faible et bruyant au niveau de volume désiré et que la commande de niveau sans fil du XP310w est réglée au maximum, utilisez le tournevis pour tourner lentement la commande de puissance de l'émetteur HXD1 dans le sens horaire jusqu'à obtenir un niveau acceptable.

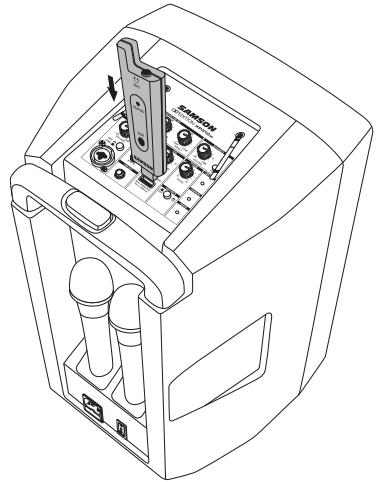


Figure 1

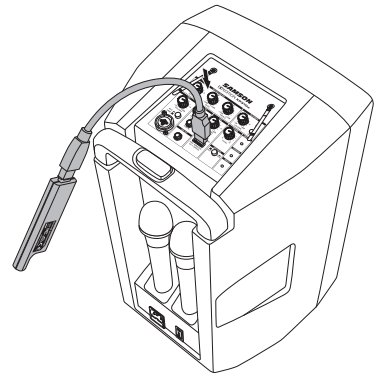


Figure 2

ENGLISH

FRANÇAIS

DEUTSCHE

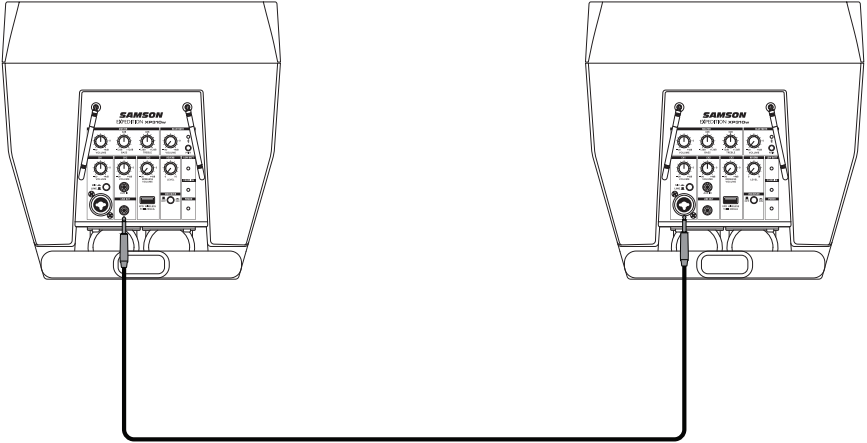
ESPAÑOL

ITALIANO

Utilisation de la prise LINE OUT

La prise XP310w LINE OUT vous permet de connecter le XP310w à n'importe quelle enceinte amplifiée pour étendre votre système ou relier deux systèmes XP310w ensemble en série.

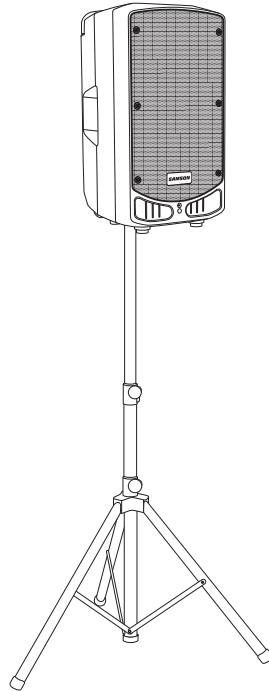
A l'aide d'un câble instrument de 1/4" blindé standard, branchez la SORTIE LIGNE du XP310w à l'entrée de niveau ligne de la seconde enceinte amplifiée. Le XP310w enverra un mélange de toutes les entrées, y compris l'audio Bluetooth®. Chaque canal VOLUME permet de contrôler le niveau de sortie correspondant à la prise LINE OUT.



Utilisation d'un support pour l'enceinte

Le XP310w comprend un réceptacle de 35 mm (1 3/8") pour le montage sur poteau au bas du boîtier. Ceci convient à un socle d'enceinte standard de 1-3/8" (35mm). Pour obtenir une couverture sonore optimale lors de l'utilisation d'un socle d'enceinte, l'enceinte doit être élevée au-dessus de la tête de l'utilisateur.

En plaçant l'enceinte sur un socle, veillez à ce qu'elle se trouve sur une surface plane et stable pour éviter qu'elle ne se renverse. Utilisez le socle conçu pour soutenir une enceinte pesant au moins 30 lb.



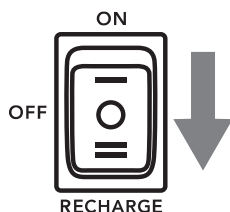
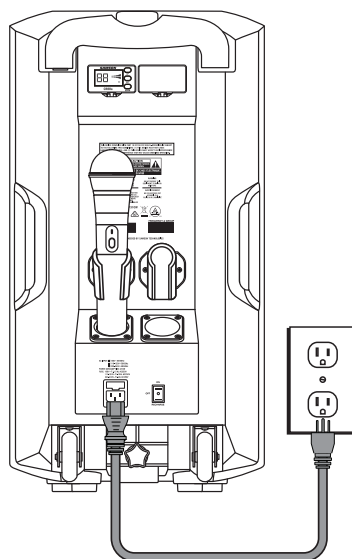
Chargement de la batterie

Le XP310w est équipé d'une batterie interne rechargeable permettant d'écouter jusqu'à 12 heures d'audio en continu avec une charge complète. Même si le système XP310w peut être partiellement chargé à la sortie de son emballage, il est recommandé de le charger complètement avant la première utilisation.

Pour charger la batterie :

1. Branchez le XP310w à une prise CA à l'aide du câble d'alimentation fourni.
2. Mettez l'interrupteur d'alimentation sur "OFF".
3. Pendant le chargement, le témoin CHARGE va s'allumer en rouge.
4. Laissez le système branché jusqu'à ce que le témoin CHARGE passe au vert, indiquant que la batterie est complètement chargée.

Si la durée de fonctionnement du XP310w diminue de façon significative, même après une charge complète, la batterie doit être remplacée. Contactez le service à la clientèle Samson ou votre distributeur local pour obtenir une batterie de rechange.



Un avertissement indiquant que les batteries (bloc-batteries ou piles installées) ne doivent pas être exposées à une chaleur excessive telle que le soleil, le feu ou toute autre source de chaleur similaire.

ATTENTION : Un remplacement inadéquat de la batterie risque de provoquer une explosion. Remplacez les batteries exclusivement par des batteries identiques ou équivalentes.

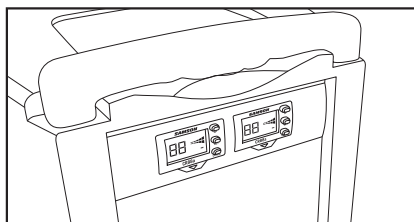
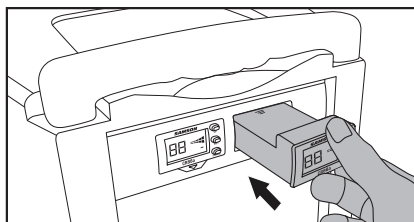
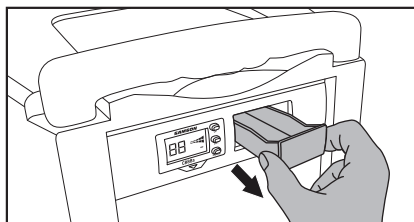
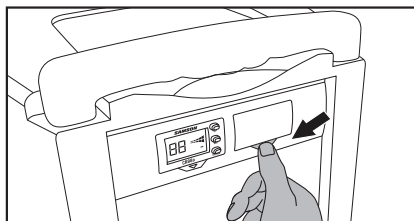
L'attention doit être portée sur les aspects environnementaux de l'élimination des batteries

Installation du récepteur CR88a

Le XP310w est fourni avec un récepteur CR88a installé. Vous pouvez ajouter un récepteur CR88a supplémentaire au système. Suivez ces étapes pour installer le récepteur.

1. Mettez le XP310w POWER hors tension et laissez le câble d'alimentation CA débranché jusqu'à ce que l'installation soit terminée.
2. Appuyez sur la touche avec la flèche sous le panneau récepteur vierge jusqu'à ce que le panneau s'ouvre (vous aurez besoin d'utiliser un outil qui ne marque pas).
3. Retirez le panneau vierge du XP310w en le faisant coulissant.
4. Alignez le module CR88a avec la fente ouverte et faites glisser le module jusqu'à ce qu'il soit complètement inséré dans le XP310w.

Remarque : Si vous utilisez plusieurs systèmes, chacun d'eux doit être réglé sur un canal distinct.



Caractéristiques techniques

Puissance de sortie	300 watts Crête
Enceintes	10" woofer + 1" tweeter
Réponse en fréquence	50Hz-18kHz (-3dB)
Entrée micro/ligne	XLR-1/4" combo
Entrée auxiliaire	1/8" Aux
Entrée sans fil	USB sans fil
Sorties	Ligne 1/4 po
Réglage de tonalité	Égaliseur Master des graves et aigus
Contrôle de la dynamique	Réverbération, voix-off (atténuateur)
Bluetooth	Bluetooth 4.0, A2DP
Fréquence de fonctionnement	2.402GHz~2.480GHz
Puissance RF	<10mW
Autonomie de la batterie	Jusqu'à 12 heures grâce au Li-ion intégré
Chargement de la batterie	4-6 heures
Alimentation	CA :100-120V/220-240V, 50~60Hz
Fabrication	Polypropylène
Grille	Grille perforée en acier, enduite de poudre
Montage	Réceptacle de montage intégré sur poteau de 1 3/8 po
Récepteur sans fil	Samson CR88a
Sensibilité sans fil	-100 dBm / 30 dB sinad
Rejet d'image sans fil	>50 dB
Portée du fonctionnement sans fil	100' (30m) en visibilité directe
Température de fonctionnement	-10°C ~ +40°C
Dimensions (LxDxH)	12.25" x 12.25" x 22 310 mm x 310 mm x 560 mm
Poids	12,5 kg / 27,5 lb
Émetteur portatif CH88	
Élément de microphone	Dynamique
Portée de puissance d'entrée	28 dB
Puissance RF	10 mW EIRP
Exigences d'alimentation	Deux batteries alcalines AA (LR6)
Autonomie de la batterie	8 heures
Dimensions (HxØ)	10.23" x 2.1" 260 mm x 54 mm
Poids	0.48 lb / 218 g

ENGLISH

FRANÇAIS

DEUTSCHE

ESPAÑOL

ITALIANO

Bandes de fonctionnement et gammes de fréquences du Concert 88a

Bande	Gamme de fréquences
K ^a	470-494 MHz
D ^a	542-566 MHz
IL* IL	794-806 MHz
B*	806-810 MHz
G*	863-865 MHz

* *Déconseillé aux États-Unis et au Canada.*

Fonctionnement sur les fréquences européennes

Remarque : Cet appareil est destiné à des applications musicales professionnelles et autres, et peut fonctionner sur certaines fréquences non autorisées dans votre région. Veuillez contacter votre autorité nationale pour obtenir des informations sur les fréquences autorisées pour les produits de microphones sans fil dans votre région.

Bande	Gamme de fréquences	Codes des pays de l'UE	Remarque
K ^a	470-494 MHz	AT, BE, BG, CY, CZ, DK, EE, FI, FR, DE, GR, HU, IS, IE, IT, LV, LT, LU, MT, NL, NO, PL, PT, RO, RO, SK, SI, ES, SE, CH, UK	
D**	542-566 MHz		
IL**	794-806 MHz		Pour une utilisation en Israël
B**	806-810 MHz		Pour une utilisation au Japon
G	863-865 MHz	AT, BE, BG, CY, CZ, DK, EE, FI, FR, DE, GR, HU, IS, IE, IT, LV, LT, LU, MT, NL, NO, PL, PT, RO, RO, SK, SI, ES, SE, CH, UK	Libre de licence

** *Déconseillé dans l'UE.*

^a Octroi de licences : Veuillez noter qu'une licence ministérielle est requise dans certaines régions pour utiliser cet appareil. Consultez votre autorité nationale pour connaître les normes en vigueur. Il incombe à l'utilisateur de détenir une licence pour les appareils de microphones sans fil Samson, dont l'octroi dépend de la classification et de l'application de l'utilisateur, de même que de la fréquence choisie.

Wichtige Sicherheitsinformationen



**ACHTUNG
STROMSCHLAGGEFAHR –
NICHT ÖFFNEN**



Dieses Blitzsymbol mit Pfeilspitze in einem gleichseitigen Dreieck soll den Benutzer auf das Vorhandensein einer nicht isolierten „gefährlichen Spannung“ im Gehäuse des Produkts aufmerksam machen, die von ausreichender Größe sein kann, um eine Gefahr eines Stromschlags darzustellen.



Das Ausrufezeichen innerhalb eines gleichseitigen Dreiecks soll den Benutzer auf das Vorhandensein wichtiger Betriebs- und Wartungsanweisungen in der dem Gerät beiliegenden Literatur hinweisen.

WARNUNG: UM DAS RISIKO EINES STROMSCHLAGS ZU VERRINGERN, ENTFERNEN SIE DIE ABDECKUNG (ODER DIE RÜCKSEITE) NICHT, DA SICH KEINE VOM BENUTZER ZU WARTENDEN TEILE IM INNEREN BEFINDEN. WENDEN SIE SICH BEI DER WARTUNG AN QUALIFIZIERTES SERVICEPERSONAL.



Wenn Sie dieses Produkt entsorgen möchten, mischen Sie es nicht mit dem allgemeinen Hausmüll. Es gibt ein getrenntes Sammelsystem für gebrauchte Elektroprodukte in Übereinstimmung mit den gesetzlichen Bestimmungen, die eine ordnungsgemäße Behandlung, Rückgewinnung und Recycling erfordern.

Privathaushalte in den 28 Mitgliedsstaaten der EU, in der Schweiz und in Norwegen können ihre gebrauchten elektronischen Produkte kostenlos an Sammelstellen oder an einen Einzelhändler zurückgeben (wenn Sie ähnliche neue Produkte kaufen).

Für Länder, die nicht oben erwähnt werden, wenden Sie sich bitte an Ihre örtlichen Behörden, um eine korrekte Entsorgungsmethode zu erfahren.

Auf diese Weise stellen Sie sicher, dass Ihr entsorgtes Produkt der notwendigen Behandlung, Verwertung und Wiederverwertung unterzogen wird und so verhindern Sie mögliche negative Auswirkungen auf die Umwelt und die menschliche Gesundheit.

ENGLISH

FRANÇAIS

DEUTSCHE

ESPAÑOL

ITALIANO

Wichtige Sicherheitsinformationen

1. Lesen Sie diese Anleitung.
2. Bewahren Sie diese Anleitung auf.
3. Beachten Sie alle Warnungen.
4. Befolgen Sie alle Anweisungen.
5. Verwenden Sie dieses Gerät nicht in der Nähe von Wasser.
6. Nur mit einem trockenen Tuch reinigen.
7. Blockieren Sie keine Lüftungsöffnungen. Installieren Sie das Gerät gemäß den Anweisungen des Herstellers.
8. Installieren Sie es nicht in der Nähe von Wärmequellen wie Heizkörpern, Heizregistern, Öfen oder anderen Geräten (einschließlich Verstärkern), die Wärme erzeugen.
9. Unterbrechen Sie den Sicherheitszweck des polarisierten oder geerdeten Steckers nicht. Ein polarisierter Stecker hat zwei Kontakte, von denen einer breiter als der andere ist. Ein geerdeter Stecker hat zwei Kontakte und einen dritten Erdungszapfen. Der breite Kontakt oder der dritte Zapfen sind für Ihrer Sicherheit vorgesehen. Wenn der mitgelieferte Stecker nicht in Ihre Steckdose passt, wenden Sie sich an einen Elektriker, um die veraltete Steckdose auszutauschen.
10. Schützen Sie das Netzkabel davor, betreten oder einklemmt zu werden, insbesondere an den Steckern, Steckdosen und an der Stelle, an der sie aus dem Gerät kommt.
11. Verwenden Sie nur vom Hersteller spezifizierte Aufsätze/Zubehörteile.
12. Nur mit dem vom Hersteller angegebenen oder mit dem Gerät verkauften Wagen, Ständer, Stativ, Halter oder Tisch verwenden. Wenn ein Wagen verwendet wird, ist beim Bewegen der Wagen/Gerätekombination Vorsicht geboten, um Verletzungen durch Umkippen zu vermeiden.
13. Ziehen Sie den Stecker des Geräts während eines Gewitters oder bei längerer Nichtbenutzung.
14. Überlassen Sie alle Wartungsarbeiten qualifiziertem Personal. Ein Service ist erforderlich, wenn das Gerät in irgendeiner Weise beschädigt wurde, z.B. wenn das Netzkabel oder der Stecker beschädigt ist, Flüssigkeit verschüttet wurde oder Gegenstände in das Gerät gefallen sind, Regen oder Feuchtigkeit ausgesetzt waren, das Gerät nicht normal funktioniert oder fallen gelassen wurde.
15. Dieses Gerät darf keinem Tropf- oder Spritzwasser ausgesetzt sein und es dürfen keine mit Flüssigkeit gefüllten Gegenstände, wie z.B. Vasen, auf das Gerät gestellt werden.
16. Vorsicht - um einen Stromschlag zu vermeiden, stecken Sie den breiten Kontakt des Steckers vollständig ein.
17. Bitte sorgen Sie für eine gute Lüftungsumgebung rund um das gesamte Gerät.
18. Um Verletzungen zu vermeiden, muss dieses Gerät gemäß der Montageanleitung sicher am Stativ befestigt werden.
19. **WARNUNG:** Die Batterie (Batterie oder Batterien oder Batterienpack) darf keiner übermäßigen Hitze wie Sonnenschein, Feuer oder dergleichen ausgesetzt sein.
20. **VORSICHT:** Explosionsgefahr durch unsachgemäßen Batteriewechsel. Nur mit dem gleichen oder gleichwertigen Typ ersetzen.
21. **WARNUNG:** Der Netzstecker/Gerätestecker wird als Trennvorrichtung verwendet, die Trennvorrichtung muss leicht bedienbar bleiben.
22. Die Entsorgung der Batterie sollte unter Berücksichtigung von Umweltaspekten und den örtlichen gesetzlichen Anforderungen erfolgen.
23. Es dürfen keine offenen Flammen, wie z.B. brennende Kerzen, auf das Gerät gestellt werden.



Wichtige Sicherheitsinformationen

FCC-Hinweis

1. Dieses Gerät entspricht Teil 15 der FCC-Vorschriften. Der Betrieb unterliegt den folgenden beiden Bedingungen:
 - (1) Dieses Gerät darf keine schädlichen Störungen verursachen.
 - (2) Dieses Gerät muss Störungen aufnehmen können, auch wenn sie unerwünschte Auswirkungen auf den Betrieb haben.
2. Änderungen oder Modifikationen, die nicht ausdrücklich von der für die Einhaltung der Vorschriften verantwortlichen Stelle genehmigt wurden, könnten die Befugnis des Benutzers zum Betrieb des Geräts aufheben.

FCC-Erklärung

Dieses Gerät wurde getestet und entspricht den Grenzwerten für ein digitales Gerät der Klasse B gemäß Teil 15 der FCC-Vorschriften. Diese Grenzwerte sollen einen angemessenen Schutz vor schädlichen Störungen in einer Wohnanlage bieten.

Dieses Gerät erzeugt, gebraucht und kann Radiofrequenzen ausstrahlen und kann, wenn es nicht gemäß den Anweisungen installiert und benutzt wird, Funkkommunikationen beeinträchtigen. Es gibt jedoch keine Garantie dafür, dass bei einer bestimmten Installation keine Störungen auftreten. Wenn dieses Gerät schädliche Störungen des Radio- oder Fernsehempfangs verursacht, was durch Aus- und Einschalten des Geräts festgestellt werden kann, wird dem Benutzer empfohlen, zu versuchen, die Störungen durch eine oder mehrere der folgenden Maßnahmen zu beheben:

- Richten Sie die Empfangsantenne neu aus oder verlegen Sie sie.
- Vergrößern Sie den Abstand zwischen Gerät und Empfänger.
- Schließen Sie das Gerät an eine Steckdose in einem anderen Stromkreis als dem, an den der Empfänger angeschlossen ist.
- Wenden Sie sich an einen Händler oder einen erfahrenen Radio-/Fernsehtechniker.

HF-Warnhinweis

Das Gerät wurde nach den allgemeinen Anforderungen an die HF-Exposition bewertet. Das Gerät kann ohne Einschränkung im mobilen Einsatz eingesetzt werden.

Dieses Gerät entspricht dem RSS-310 von Industry Canada. Der Betrieb ist an die Bedingung geknüpft, dass dieses Gerät keine schädlichen Störungen verursacht.

Hiermit erklärt Samson Technologies Corp., dass dieses Expedition XP310w den grundlegenden Anforderungen und anderen relevanten Bestimmungen der Richtlinie 2014/53/EU entspricht. Die Konformitätserklärung kann eingesehen werden unter: http://www.samsontech.com/site_media/support/manuals/XP310w_DOC.pdf

ENGLISH

FRANÇAIS

DEUTSCHE

ESPAÑOL

ITALIANO

Einführung

Vielen Dank, dass Sie sich für das batteriebetriebene tragbare Soundsystem XP310w mit wireless Bluetooth®-Konnektivität entschieden haben. Das XP310w ist leicht und kompakt und verfügt über 300 Watt Leistung bei einem Gewicht von nur 12,4 kg, was es zu einer ausgezeichneten Ergänzung für jede mobile Lautsprecheranwendung macht. Der interne wiederaufladbare Akku ermöglicht einen Dauereinsatz von bis zu 12 Stunden. Das XP310w kann auch mit Wechselstrom betrieben werden (mit dem mitgelieferten Netzkabel). Der verriegelnde Teleskopgriff und die integrierten Räder machen das XP310w leicht zu transportieren.

Das XP310w ist eine komplette All-in-One-Lösung, die die Flexibilität eines vierkanaligem Mixers (mit Eingängen für Mikrofone und Line-Geräte), eines Line-Ausgangs zur Verbindung mehrerer Lautsprecher und eines Voiceover-Prioritäts-Ducking bietet. Für eine völlig ungebundene Performance beinhaltet das XP310w ein Samson Concert 88a Handheld Wireless System und einen zusätzlichen Slot, um ein zweites Concert 88a System hinzuzufügen. Es gibt auch einen USB-Stecker zum Hinzufügen eines Samson XPD Series Wireless Systems. Egal, ob Sie ein Soundsystem für den Einsatz im Freien, im Klassenzimmer, für Karaoke, für Präsentationen oder für Live-Musik suchen, das XP310w bietet qualitativ hochwertiges, tragbares Audio in einem kleinen, batterielosen Paket.

Wir empfehlen Ihnen, die folgenden Unterlagen sowie eine Kopie Ihres Kaufbelegs aufzubewahren.

Seriennummer: _____

Kaufdatum: _____

Wenn Sie Fragen oder Anmerkungen zum XP310w tragbaren PA System oder anderen Produkten von Samson haben, zögern Sie nicht, uns unter support@samsontech.com zu kontaktieren.

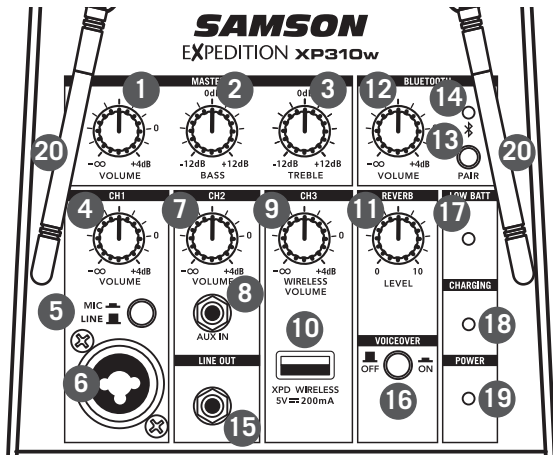
Bei sachgemäßer Pflege und Wartung wird Ihr XP310w tragbares PA-System viele Jahre lang störungsfrei funktionieren. Sollte Ihr XP310w tragbares PA-System jemals gewartet werden müssen, muss eine Rücksendenummer (RA-Nummer) eingeholt werden, bevor Sie Ihr Gerät zu Samson schicken. Ohne diese Nummer wird das Gerät nicht akzeptiert. Bitte besuchen Sie www.samsontech.com/ra für eine RA-Nummer vor dem Versand Ihres Gerätes. Bitte bewahren Sie die Originalverpackungsmaterialien auf und senden Sie das Gerät nach Möglichkeit im Originalkarton zurück. Wenn Ihr XP310w tragbares PA-System außerhalb der Vereinigten Staaten gekauft wurde, wenden Sie sich an Ihren lokalen Händler.

Features

- 300 Watt, all-in-one tragbares PA-System mit einem Gewicht von 12,4kg.
- 2-Wege Lautsprechergehäuse mit 25,4 cm Woofer und 2,5 cm Tweeter
- Interner wiederaufladbarer Lithium-Ionen-Akku für bis zu 12 Stunden Dauerbetrieb
- Bluetooth-Konnektivität zum Anschluss drahtloser Musikquellen
- Inklusive Concert 88a Handheld Frequency-agilem UHF Wireless System.
- Aufgesetzter 4-Kanaliger Mixer mit Mikrofon- und Line-Pegel-Eingängen
- Master Bass- und Höhen-EQ
- Variable Reverb-Steuerung für Mikrofon- und drahtlose Eingänge
- Voiceover-Steuerung mit prioritärem Ducking
- Line Ausgang um mehrerer Systeme zu vernetzen
- USB-Wireless-Anschluss zur Verwendung mit Samson XPD Series USB Digital Wireless Systemen
- Verriegelbarer Teleskopgriff und leichtgängige Rollräder für einfachen Transport
- 35 mm Mastmontage Anschluss
- Zwei integrierte Mikrofonhalterungen zur Aufbewahrung von kabellosen Mikrofonen

XP310w Mischer Beschriftungen

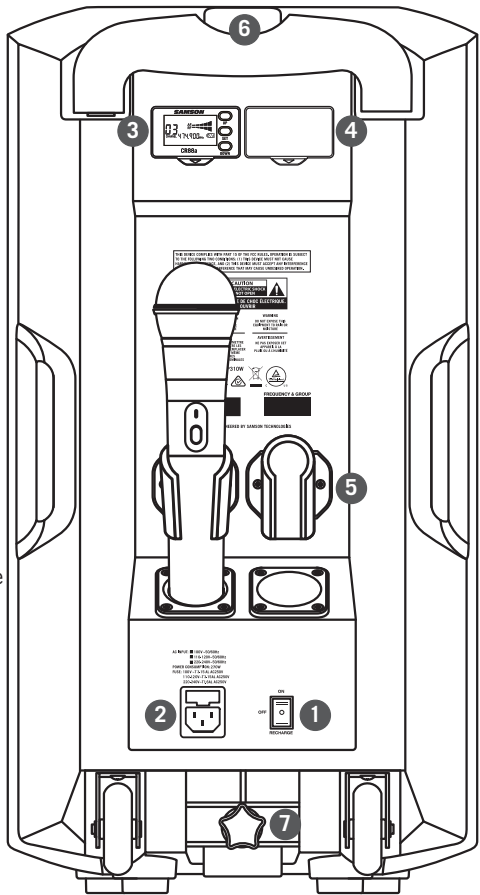
1. **MASTER VOLUME** - Wird verwendet, um den Gesamtpegel des Lautsprechersystems zu regeln.
2. **MASTER BASS** - Regelt den Basston des gesamten Systems.
3. **MASTER TREBLE** - Regelt den Hochfrequenzton des gesamten Systems.
4. **CH1 VOLUME** - Regelt den Pegel des Mic/Line-Eingangs von Kanal 1.
5. **LINE / MIC-Schalter** - Stellt die Verstärkung des CH1-Eingangs für ein Mikrofon oder ein Line Level Gerät ein.



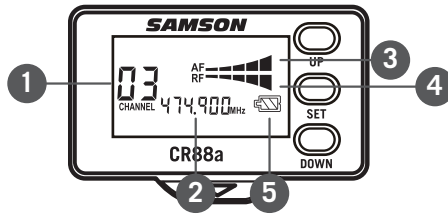
6. **CH1 Eingang** - XLR-6,35 mm Eingang zum Anschluss eines Mikrofons oder eines Gerätes mit einem Line Level Signal.
7. **CH2 VOLUME** - Regelt den Pegel des Aux-Eingangs von Kanal 2.
8. **AUX IN** - Schließen Sie ein Line-Pegel-Gerät über ein 3,5 mm Audiokabel an.
9. **CH3 WIRELESS VOLUME** - Regelt den Pegel der drahtlosen Concert 88a Mikrofonempfänger sowie des optionalen XPD USB Wireless Empfängers.
10. **XPD WIRELESS Input** - Schließen Sie einen digitalen, drahtlosen Samson XPD USB Digitalempfänger an diesen Eingang an. Der drahtlose Empfänger wird vom XP310w mit Strom versorgt, so dass keine zusätzliche Stromversorgung erforderlich ist.
11. **REVERB** - Dieser Regler wird verwendet, um die Gesamtmenge des Reverbs einzustellen, der den Eingangskanälen von Kanal 1 und Kanal 3 (drahtlos) hinzugefügt wird.
12. **BLUETOOTH® VOLUME** - Regelt den Pegel des Bluetooth-Eingangs.
13. **Kopplungstaste-Taste** - Drücken Sie diese Taste, um den Kopplungsmodus zu aktivieren, um eine Verbindung zu einem Bluetooth-Audiogerät herzustellen.
14. **Koppelanzeige** - Zeigt den Bluetooth-Status des XP310w-Systems an.
15. **LINE OUT** - Line Level 6,35 mm Ausgangsstecker, um das XP310w mit dem Eingang eines anderen XP310w zu verbinden, um ein erweitertes Lautsprechersystem zu erstellen. Das LINE OUT-Signal liegt vor den MASTER VOLUME- und EQ-Reglern.
16. **VOICEOVER EIN/AUS-Schalter** - Schaltet den VOICEOVER-Effekt ein oder aus.
17. **LOW BATTERY Anzeige** - Diese LED leuchtet, wenn der XP310w Akku schwach ist. Wenn die Leuchte leuchtet, wird empfohlen, das XP310w an eine Steckdose anzuschließen.
18. **Ladeanzeige** - Wenn das XP310w angeschlossen ist und der Netzschalter auf die Position RECHARGE gestellt ist, leuchtet die Ladeanzeige während des Ladevorgangs rot. Nach Abschluss des Ladevorgangs erlischt die Anzeige.
19. **POWER-Anzeige** - Leuchtet grün, wenn sich der Netzschalter in der Position ON befindet.
20. **Antennen** - Die Antennenhalterungen ermöglichen eine vollständige Drehung für eine optimale Platzierung. Bei Verwendung des Concert 88a Drahtlossystems sollten beide Antennen vertikal positioniert werden.

XP310w Rückwandbereiche

- 1. Netzschalter / Ladeschalter** - Dieser Dreistellungsschalter wird verwendet, um das XP310w ein- und auszuschalten oder das System in den RECHARGE-Modus zu versetzen, um den internen Akku zu laden.
- 2. AC INPUT** - Schließen Sie hier das mitgelieferte Netzkabel an.
- 3. CR88a Empfänger** - Enthaltener frequenzagiler drahtloser UHF-Empfänger.
- 4. CR88a Empfängerabdeckung / -schlitz** - Zusätzlicher Steckplatz zum Hinzufügen eines zusätzlichen drahtlosen Empfängers CR88a.
- 5. Mikrofonspeicher** - Zwei Steckplätze zur Aufnahme von drahtlosen Handsendern.
- 6. Teleskopgriff** - Drücken Sie die Taste und ziehen Sie sie nach oben, um den Teleskopgriff auszufahren.
- 7. Lautsprecher** - 35 mm verriegelbare Ständerhalterung zum Aufstellen des XP310w auf einem Standard-Lautsprecherständer.

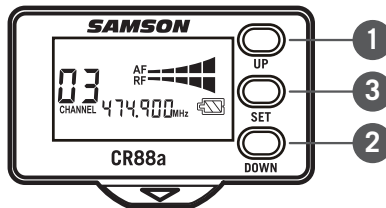


CR88a Empfängeranzeige



1. **Kanal** - Zeigt die ausgewählte Kanalnummer an.
2. **Frequenz** - Zeigt die Betriebsfrequenz des ausgewählten Kanals an.
3. **Audiometer** - Zeigt die Stärke des eingehenden Audiosignals an.
4. **RF Signal-Meter** - Zeigt die Stärke des eingehenden Funksignals an.
5. **Batteriezustand des Senders** - Zeigt den Batteriezustand des Senders an.

Verwendung des CR88a Empfängers



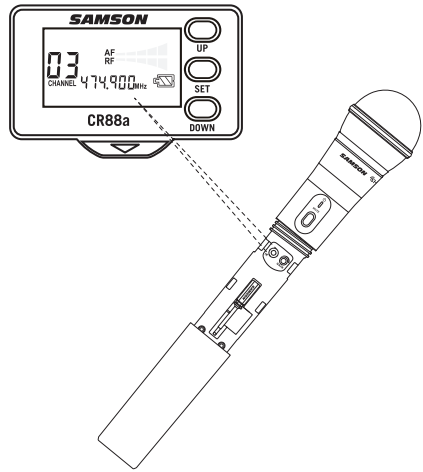
Auswählen eines Kanals

1. Drücken Sie kurz die Tasten UP (1) & DOWN (2), um durch die verfügbaren Kanäle zu gelangen.
2. Halten Sie die Taste UP (1) 3 Sekunden lang gedrückt, um in den IR-Modus zu gelangen und den ausgewählten Kanal an den Sender zu senden.
3. Halten Sie die Taste UP (1) länger als 6 Sekunden gedrückt, um schnell durch die Kanäle zu wechseln. Sobald die Taste losgelassen wird, wechselt der Empfänger in den IR-Modus, um den ausgewählten Kanal an den Sender zu senden.
4. Halten Sie die Taste DOWN (2) 3 Sekunden lang gedrückt, um in den Scan-Modus zu gelangen. Der CR88a scannt durch die Betriebskanäle und findet den optimalen Kanal. Nach Abschluss des Scannens wechselt der Empfänger in den IR-Modus, um den ausgewählten Kanal an den Sender zu senden.

Verwendung des CR88a Empfängers

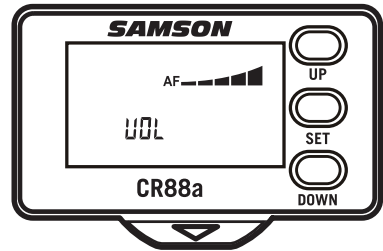
IR-Set

5. Halten Sie die Taste UP 3 Sekunden lang gedrückt, um in den IR-Modus zu gelangen und den ausgewählten Kanal an den Sender zu senden.
6. Positionieren Sie den Sender ca. 15-30 cm von der Vorderseite der CR88a Empfängeranzeige mit dem IR-Fenster des Senders (im Batteriefach gegenüber dem Empfänger).
7. Wenn die Übertragung des Betriebskanals abgeschlossen ist, empfängt der CR88a ein HF-Signal und das HF-Signalmessgerät leuchtet auf und zeigt an, dass es ein drahtloses Signal vom Sender empfängt.



Einstellen der Empfängerlautstärke

8. Drücken Sie kurz die SET-Taste, um in den Einstellmodus der Empfängerlautstärke zu gelangen.
9. Drücken Sie die Taste UP, um den Ausgangspegel des Empfängers zu erhöhen.
10. Drücken Sie die Taste DOWN, um den Ausgangspegel des Empfängers zu verringern.



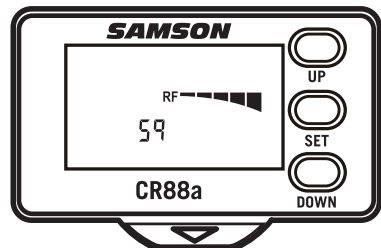
Einstellen der Rauschsperr

Rauschsperr ist eine Funktion des Empfängers, der den Ton weiterleitet, wenn das gewünschte Radiosignal über dem Rauschschwellenwert liegt, und den Ton stumm schaltet, wenn das Radiosignal unter dem Schwellenwert liegt. Je höher die Rauschsperr-Einstellung, desto stärker muss das eingehende Signal sein, damit Sie es hören können.

Um den Rauschpegel einzustellen, platzieren Sie den wireless Sender in der größtmöglichen Entfernung, die Sie erwarten, und stellen Sie den Rauschpegel so ein, bis er das Signal stumm schaltet. Stellen Sie dann den Rauschpegel wieder nach oben ein, bis das Signal des Funksenders ertönt.

Der Rauschpegel sollte knapp über dem Hintergrundrauschen des Radiosignals eingestellt werden. Wenn die Rauschsperr-Einstellung zu niedrig eingestellt ist, hören Sie statisches Rauschen durch den Empfänger, wenn der Sender ausgeschaltet oder außerhalb des Bereichs ist.

11. Drücken Sie zweimal kurz die SET-Taste, um in den Rauschsperr-Einstellmodus zu gelangen.
12. Drücken Sie die Taste UP, um den Rausch-Schwellenwert zu erhöhen.
13. Drücken Sie die Taste DOWN, um den Rausch-Schwellenwert zu verringern.

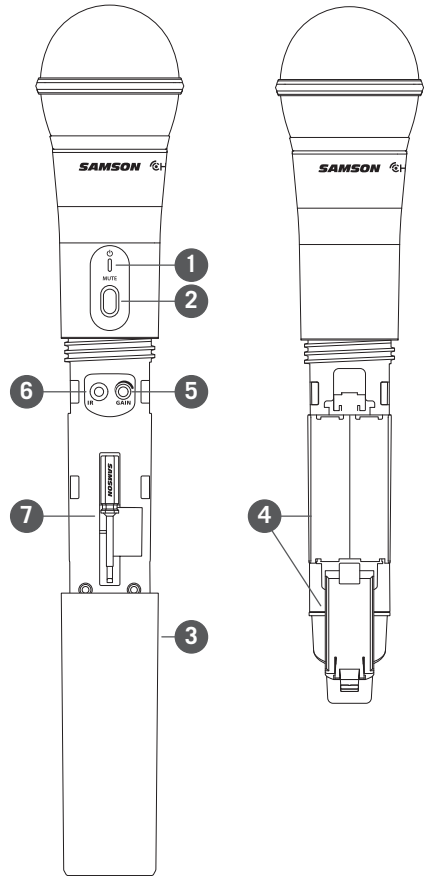


CH88 Handsender Beschreibung

1. **Statusanzeige** - Dieses LED zeigt den Betriebsmodus an:

GRÜN	Normaler Betrieb
ROT	Stummschaltung
GRÜN blinkend	Schwache Batterie

2. **Power/Mute-Schalter** - Halten Sie diese Taste gedrückt, um das Gerät ein- oder auszuschalten. Drücken und loslassen, um den Sender stumm zu schalten bzw. die Stummschaltung aufheben.
3. **Batterieabdeckung** - Schrauben Sie die Batterieabdeckung ab und schieben Sie sie nach unten, um das Batteriefach des CH88 zu öffnen.
4. **Batteriehalter** - Öffnen Sie den Batteriehalter, indem Sie die Lasche drücken und die Abdeckung anheben. Legen Sie hier zwei Standard AA (LR6)-Batterien ein und achten Sie auf die Einhaltung der angegebenen Plus- und Minuspolmarkierungen. Obwohl wiederaufladbare Ni-Cad-Akkus verwendet werden können, liefern sie für mehr als vier Stunden keinen ausreichenden Strom.
WARNUNG: Legen Sie die Batterien nicht rückwärts ein, da dies zu schweren Schäden am CH88 führen kann und Ihre Garantie erlischt.
5. **Eingangsverstärkungsregler** - Dieser Regler stellt die Eingangsempfindlichkeit des Senders ein. Für eine optimale Leistung stellen Sie den Eingangsverstärkungsregler mit dem mitgelieferten Schraubenzieher so ein, dass alle CR88a AF-Indikatoren bei hohen Pegeln leuchten, und drehen Sie den Regler dann herunter, bis die letzte Anzeige nur bei Audiospitzen leuchtet.
6. **IR-Objektiv** - Dieses Fenster wird verwendet, um das Infrarotsignal zu erfassen, das vom CR88a während des IR-SET gesendet wird, um den Sender zu kanalisieren. Der Batteriefachdeckel muss geöffnet sein und die IR-Linse zum Empfänger zeigen, um den ausgewählten Kanal zu laden.
7. **Schraubenzieher** - Entwickelt für die Verwendung bei der Einstellung des CH88 Eingangsverstärkungsreglers.



ENGLISH

FRANÇAIS

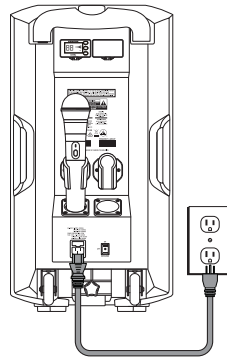
DEUTSCHE

ESPAÑOL

ITALIANO

Schnellstart

1. Stellen Sie den Netzschalter XP310w auf die Position OFF und drehen Sie alle LEVEL-Regler gegen den Uhrzeigersinn auf 0.
2. Wenn eine Steckdose vorhanden ist, schließen Sie das mitgelieferte Netzkabel an den AC-Eingang des Lautsprechers an und stecken Sie es in eine Steckdose.
3. Stellen Sie den Netzschalter XP310w auf die Position ON.
4. Schließen Sie Ihre Audioquellen an.
5. Drehen Sie den MASTER VOLUME-Regler auf und stellen Sie die Eingangspegel ein, indem Sie die folgenden Schritte ausführen.

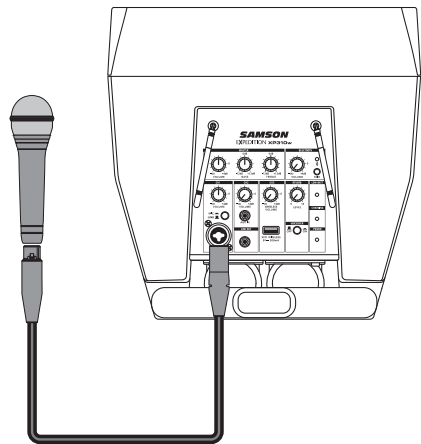


Herstellen von Verbindungen

Kanal 1 (Mikrofon-/Line-Eingang)

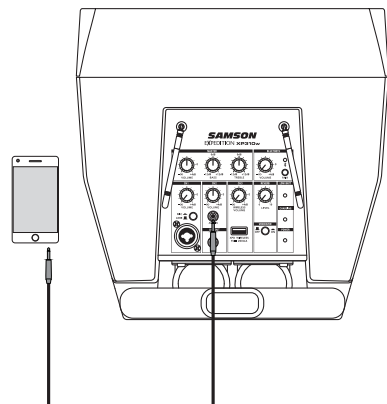
1. Schließen Sie ein Mikrofon mit einem handelsüblichen XLR-Kabel oder einem Line-Pegel-Gerät mit einem 6,35 mm-Instrumentenkabel an.
2. Wenn Sie ein Mikrofon anschließen, stellen Sie den Schalter LINE / MIC auf die Position Down (MIC). Wenn Sie ein Line-Pegel-Gerät anschließen, stellen Sie den LINE / MIC-Schalter auf die Position Up (LINE).
3. Während Sie in das Mikrofon sprechen oder Musik von einer Line-Pegel-Audioquelle wiedergeben, erhöhen Sie langsam den Kanal CH1 VOLUME-Regler, bis Sie den gewünschten Pegel erreicht haben.

Hinweis: Wenn Sie den Eingang Kanal 1 nicht verwenden, drehen Sie den VOLUME-Regler ganz nach unten, um unerwünschte Geräusche zu vermeiden.

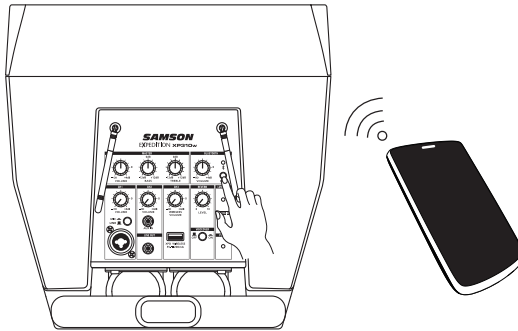


Kanal 2 (Aux-Eingang)

4. Schließen Sie ein Line-Level-Gerät mit einem 3,5 mm Instrumentenkabel an.
5. Während Sie Musik von einer Line-Pegel-Audioquelle wiedergeben, erhöhen Sie langsam den Kanal CH2 VOLUME-Regler, bis Sie den gewünschten Pegel erreicht haben.



Schnellstart



Bluetooth®

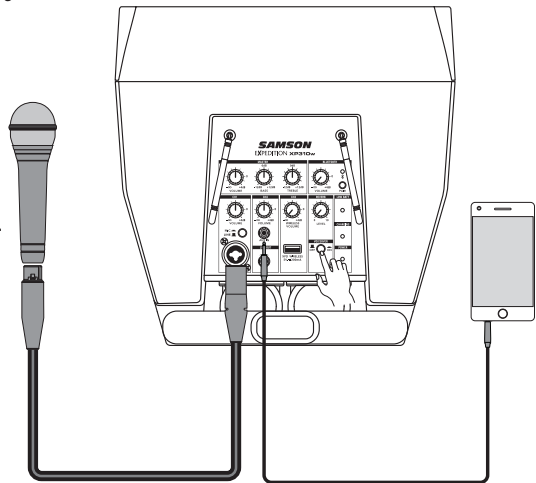
1. Drehen Sie den BLUETOOTH VOLUME-Regler gegen den Uhrzeigersinn auf 0.
2. Wenn das XP310w und Ihr Bluetooth-Gerät eingeschaltet sind, drücken Sie die PAIR-Taste auf der Rückseite des XP310w, um den Lautsprecher sichtbar zu machen. Die Bluetooth-Anzeige blinkt langsam blau.
3. Stellen Sie in den Einstellungen Ihres Bluetooth-Geräts ein, dass verfügbare Geräte "erkannt" werden.
4. Wählen Sie in der Liste der Bluetooth-Geräte das Gerät "Samson BLUETOOTH" aus.
5. Wenn Ihr Gerät nach einem Hauptschlüssel fragt, geben Sie die Ziffern 0000 (vier Nullen) ein und drücken Sie OK. Einige Geräte können Sie auch auffordern, die Verbindung zu akzeptieren.
6. Der Lautsprecher XP310w zeigt an, dass die Kopplung abgeschlossen ist, wenn die Anzeige konstant blau leuchtet. Sie können nun Audio von Ihrem Gerät auf die Lautsprecher XP310w streamen.
7. Wenn der Lautstärkereger Ihres Bluetooth-Geräts aufgedreht ist, spielen Sie Musik ab und drehen Sie den XP310w BLUETOOTH VOLUME Regler langsam auf, bis Sie den gewünschten Pegel erreicht haben.

Verwendung des Voiceover-Schalters

Der XP310w Voiceover Effekt ist ein ausgeklügeltes Musik- und Pagensystem, bei dem die Hintergrundmusik automatisch niedriger wird, wenn eine Ansage gemacht wird. Der Ducker kann mit einem Ton arbeiten, der von einem der drahtgebundenen oder drahtlosen Mikrofoneingänge kommt.

Wenn der VOICEOVER-Schalter gedrückt wird, wenn ein Signal am Mikrofoneingang von Kanal 1, an den drahtlosen Eingängen von Concert 88a oder am drahtlosen XPD-Eingang anliegt, werden der Leitungspegel-Eingang von Kanal 2 und der Bluetooth-Audioeingang automatisch abgesenkt.

Sobald kein Eingang an den Mikrofon- und drahtlosen Mikrofoneingängen vorhanden ist, kehren der Line-Pegel-Eingang und der Bluetooth-Audioeingang zu ihren normalen Werten zurück.



Samson XPD Wireless anschließen

Die folgenden Schritte beschreiben den Anschluss eines digitalen Samson XPD2 USB-Digitalfunksystems (separat erhältlich) an Ihr XP310w.

1. Schließen Sie den RXD2 USB-Empfänger direkt an einen der USB-Stecker auf der Rückseite des XP310w an (Abbildung 1) oder verwenden Sie das mitgelieferte USB-Verlängerungskabel (Abbildung 2).
2. Legen Sie einen neuen Satz AA (LR6)-Batterien in den Batteriehalter des Senders ein und achten Sie dabei auf die Polaritätsmarkierungen.
3. Drehen Sie den Lautstärkeregler von Kanal 3 Wireless vollständig gegen den Uhrzeigersinn und schalten Sie dann das XP310w in die Position ON.
4. Schalten Sie den Handsender HXD1 oder den Taschensender PXD1 durch Drücken und Halten des Netzschalters ein; die Anzeige-LED leuchtet gelb.
5. Wenn Sender und Empfänger nicht zuvor gekoppelt wurden, halten Sie die Taste am RXD2-Empfänger >5 Sekunden lang gedrückt, bis sie zu blinken beginnt. Halten Sie die Ein-/Aus-Taste am Sender gedrückt, bis die LED-Anzeigen an beiden Geräten konstant leuchten und damit anzeigen, dass Empfänger und Sender gekoppelt und betriebsbereit sind.
6. Sprechen oder singen Sie in das Mikrofon mit normaler Lautstärke und erhöhen Sie den Kanal 3 Wireless Volume Regler am XP310w, bis die gewünschte Lautstärke erreicht ist.
7. Wenn Sie Verzerrungen hören, schalten Sie die Kanal 3 Wireless Volume am XP310w herunter. Wenn die Verzerrung immer noch hörbar ist, drehen Sie den Verstärkungsregler im Sender HXD1 mit dem mitgelieferten Schraubenzieher langsam gegen den Uhrzeigersinn, bis die Verzerrung verschwindet.
Umgekehrt, wenn Sie ein schwaches, verraushtes Signal bei der gewünschten Lautstärke hören und der drahtlose Pegelsteller des XP310w auf Maximum eingestellt ist, drehen Sie den Verstärkungsregler im HXD1-Sender mit dem Schraubenzieher langsam im Uhrzeigersinn, bis das Signal einen akzeptablen Pegel erreicht.

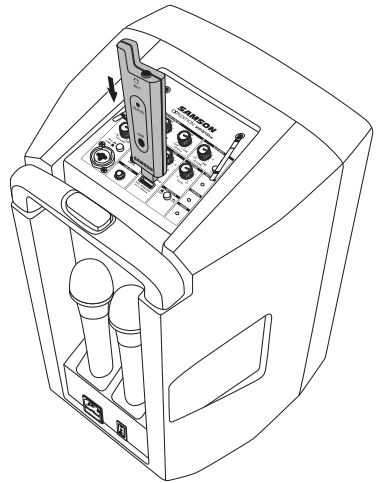


Abbildung 1

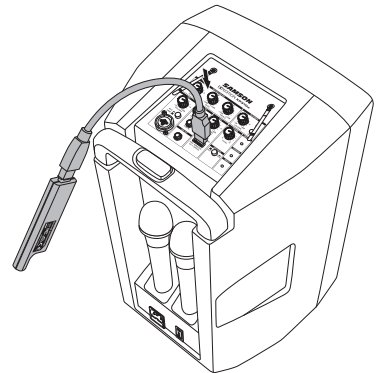
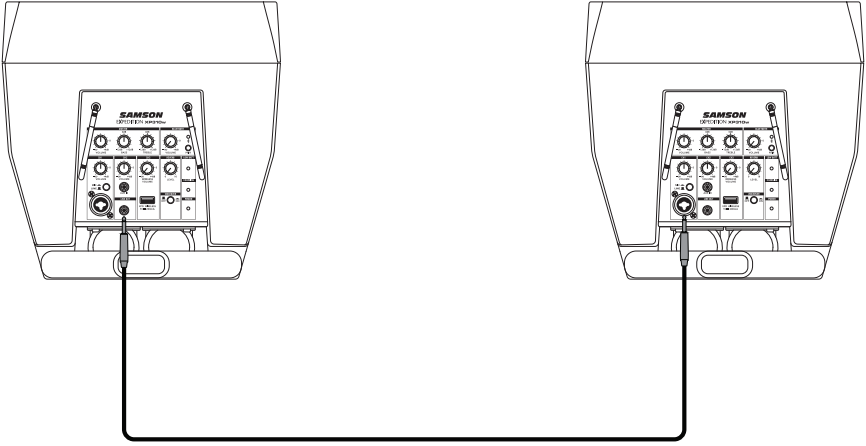


Abbildung 2

Verwendung des LINE OUT-Stecker

Der XP310w LINE OUT-Anschluss ermöglicht es Ihnen, das XP310w mit jedem Aktivlautsprecher zu verbinden, um Ihr System zu erweitern oder zwei XP310w-Systeme miteinander zu verbinden, um die Lautsprecher zu verketteten.

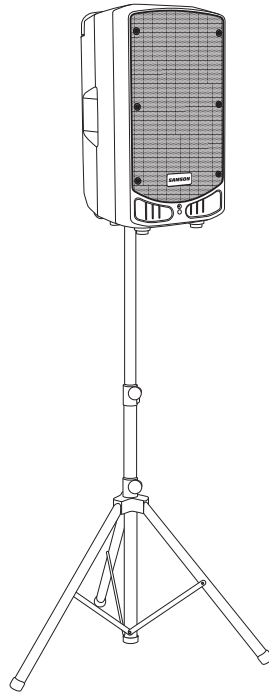
Schließen Sie den LINE OUT am XP310w über ein standardmäßig abgeschirmtes 6,35 mm-Instrumentenkabel an einen Line-Pegel-Eingang eines zweiten Aktivlautsprechers an. Das XP310w sendet einen Mix aus allen Eingängen, einschließlich Bluetooth®-Audio. Jede Kanal VOLUME steuert den entsprechenden Ausgangspegel am LINE OUT-Stecker



Verwendung eines Lautsprecherständers

Das XP310w beinhaltet einen 35 mm Mastmontage Anschluss auf der Unterseite des Schrankes. Dies passt zu einem Standard 35 mm Lautsprecherständer. Für eine maximale Reichweite bei Verwendung eines Lautsprecherständers sollte der Lautsprecher über die Köpfe des hörenden Publikums gehoben werden.

Achten Sie beim Aufstellen des Lautsprechers auf einem Stativ darauf, dass er sich auf einer ebenen Fläche befindet und nicht umkippt. Verwenden Sie einen Ständer, der für einen Lautsprecher mit einem Mindestgewicht von 13,6 kg ausgelegt ist.



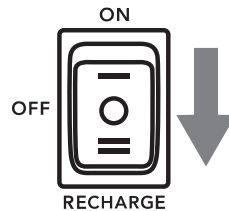
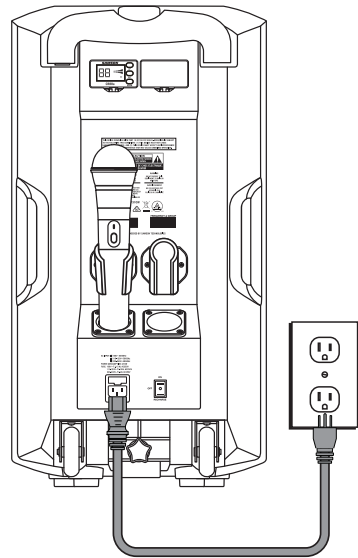
Aufladen des Akkus

Das XP310w verfügt über einen internen, wiederaufladbaren Akku, der mit voller Ladung bis zu 12 Stunden Dauerbetrieb ermöglicht. Auch wenn das System bei der ersten Entnahme aus der Box eine gewisse Ladung haben kann, wird empfohlen, Ihr XP310w vor der ersten Benutzung des Systems vollständig aufzuladen.

Zum Aufladen des Akkus:

1. Schließen Sie das XP310w mit dem mitgelieferten Netzkabel an eine Steckdose an.
2. Stellen Sie den Netzschalter auf die Position "RECHARGE".
3. Während des Ladevorgangs leuchtet die Ladeanzeige rot.
4. Halten Sie das System angeschlossen, bis die Ladeanzeige grün leuchtet, was anzeigt, dass der Akku vollständig geladen ist.

Wenn Sie feststellen, dass sich die Betriebszeit des XP310w auch nach dem vollständigen Laden deutlich verkürzt ist, sollte der Akku ausgetauscht werden. Wenden Sie sich für eine Ersatzbatterie an den Samson-Kundendienst oder Ihren örtlichen Händler.



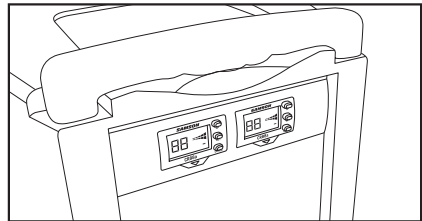
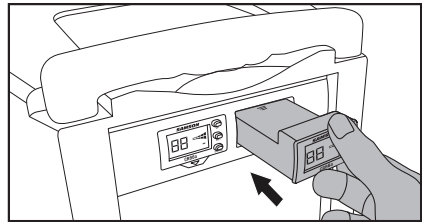
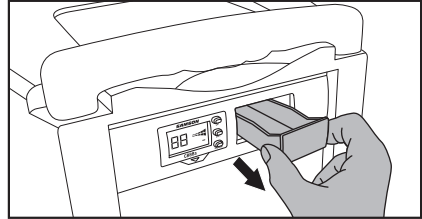
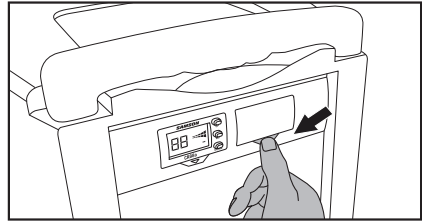
Ein Warnhinweis, dass Batterien (Akkupack oder eingebaute Batterien) nicht übermäßiger Hitze wie Sonnenschein, Feuer oder dergleichen ausgesetzt werden dürfen. **VORSICHT:** Explosionsgefahr durch unsachgemäßen Batteriewechsel. Nur mit dem gleichen oder gleichwertigen Typ ersetzen. Es sollte auf die Umweltaspekte der Batterieentsorgung hingewiesen werden.

Installation des CR88a Empfängers

Das XP310w wird mit einem CR88a-Empfänger geliefert. Sie können dem System einen zusätzlichen CR88a-Empfänger hinzufügen. Führen Sie diese Schritte aus, um den Empfänger zu installieren.

1. Schalten Sie das XP310w „POWER aus“ und lassen Sie das Netzkabel getrennt, bis der Installationsvorgang abgeschlossen ist.
2. Drücken Sie die Taste mit dem Pfeil unter dem leeren Empfängerfeld, bis das Feld herauspringt (möglicherweise müssen Sie ein nicht markierendes Werkzeug verwenden).
3. Entfernen Sie das Blindblech, indem Sie sie aus dem XP310w herauschieben.
4. Richten Sie das CR88a-Modul mit dem offenen Steckplatz aus und schieben Sie das Modul hinein, bis es vollständig im XP310w sitzt.

Hinweis: Bei der Verwendung mehrerer Systeme muss jedes System auf einen anderen Betriebskanal eingestellt werden.



ENGLISH

FRANÇAIS

DEUTSCHE

ESPAÑOL

ITALIANO

Technische Daten

Ausgangsleistung	300 Watt (Spitzenwert)
Lautsprecher	25,4,cm Woofer + 2,5 cm Tweeter
Frequenzgang	50Hz-18kHz (-3dB)
Mikrofon/Line-Eingang	XLR-6,35 mm Kombi
Aux-Eingang	3,5 mm Aux-Eingang
Kabelloser Eingang	USB wireless
Ausgänge	6,35 mm Line
Klangregelung	Master Bass & Höhen EQ
Dynamics Control	Reverb, Voiceover (Ducker)
Bluetooth	Bluetooth Bluetooth 4.0, A2DP
Arbeitsfrequenz	2,402 GHz ~ 2,480 GHz
HF-Leistung	<10mW
Akkulaufzeit	Bis zu 12 Stunden durch integriertes Li-Ion
Akkuladung	4-6 Stunden
Netzteil	AC:100-120V/220-220-240V, 50~60Hz
Konstruktion	Polypropylen
Grill	Lochblechrost, pulverbeschichtet
Montage	Integrierter 35mm Mastmontage Anschluss

Drahtloser Empfänger	Samson CR88a
Drahtlose Empfindlichkeit	-100 dBm / 30 dB sinad
Kabellose Bildunterdrückung	>50 dB
Kabelloser Arbeitsbereich	100' (30m) Sichtlinie
Betriebstemperatur	-10°C ~ +40°C
Abmessungen (LxTxH)	310 mm x 310mm x 560mm 12.25" x 12.25" x 22"
Gewicht	12.5 kg / 27.5 lb

CH88 Handsender

Mikrofonelement	dynamisch
Eingangsverstärkungsbereich	28 dB
HF-Leistung	10 mW EIRP
Leistungsbedarf	Zwei AA (LR6) Alkali-Batterien
Akkulaufzeit	8 Stunden
Abmessungen (HxØ)	260 mm x 54 mm 10.23" x 2.1"
Gewicht	218 g / 0.48 lb

Konzert 88a Betriebsbänder und Frequenzbereiche

Band	Frequenzbereich
K ^a	470-494 MHz
D ^a	542-566 MHz
IL*	794-806 MHz
B*	806-810 MHz
G*	863-865 MHz

* Nicht für den Einsatz in den USA und Kanada geeignet.

Europäischer Frequenzbetrieb

Hinweis: Dieses Gerät ist für professionelle Musik- und ähnliche Anwendungen bestimmt und kann auf einigen Frequenzen betrieben werden, die in Ihrer Region nicht zugelassen sind. Bitte wenden Sie sich an Ihre nationale Behörde, um Informationen über zugelassene Frequenzen für drahtlose Mikrofonprodukte in Ihrer Region zu erhalten.

Band	Frequenzbereich	EU-Länderkennzeichen	Hinweis
K ^a	470-494 MHz	BEI, SEI, BG, CY, CZ, DK, EE, FI, FR, DE, GR, HU, IST, DH, ES, LV, LT, LU, MT, NL, NEIN, PL, PT, RO, SK, SI, ES, SE, CH, UK	
D**	542-566 MHz		
IL**	794-806 MHz		Für den Einsatz in Israel
B**	806-810 MHz		Für den Einsatz in Japan
G	863-865 MHz	BEI, SEI, BG, CY, CZ, DK, EE, FI, FR, DE, GR, HU, IST, DH, ES, LV, LT, LU, MT, NL, NEIN, PL, PT, RO, SK, SI, ES, SE, CH, UK	Lizenzfrei

** Nicht für die Verwendung in der EU geeignet.

^a Lizenzierung: Beachten Sie, dass in bestimmten Bereichen eine behördliche Genehmigung zum Betrieb dieses Geräts erforderlich sein kann. Erkundigen Sie sich bei Ihrer nationalen Behörde nach möglichen Anforderungen. Die Lizenzierung von drahtlosen Mikrofonen von Samsen liegt in der Verantwortung des Benutzers, und die Lizenzierbarkeit hängt von der Klassifizierung und Anwendung des Benutzers sowie von der gewählten Frequenz ab.

ENGLISH

FRANÇAIS

DEUTSCHE

ESPAÑOL

ITALIANO

Información importante de seguridad



ATENCIÓN
RIESGO DE CHOQUE ELÉCTRICO - NO ABRIR



Este símbolo de relámpago con punta de flecha dentro de un triángulo equilátero tiene por objeto alertar al usuario de la presencia de "tensión peligrosa" no aislada dentro de la carcasa del producto que puede ser de magnitud suficiente para constituir un riesgo de descarga eléctrica.



El signo de exclamación dentro de un triángulo equilátero tiene por objeto alertar al usuario de la presencia de importantes instrucciones de funcionamiento y mantenimiento en la documentación que acompaña al aparato.

ADVERTENCIA: PARA REDUCIR EL RIESGO DE DESCARGA ELÉCTRICA, NO RETIRE LA CUBIERTA (O LA PARTE POSTERIOR) YA QUE NO HAY PIEZAS QUE PUEDAN SER REPARADAS POR EL USUARIO EN SU INTERIOR. REFIERA LAS REPARACIONES A PERSONAL DE SERVICIO CALIFICADO.



Si desea desechar este producto, no lo mezcle con la basura doméstica general. Existe un sistema de recogida selectiva para productos electrónicos usados de acuerdo con la legislación que exige un tratamiento, una recuperación y un reciclaje adecuados.


Los hogares de los 28 Estados miembros de la UE, Suiza y Noruega pueden enviar gratis sus productos electrónicos usados a centros de recogida designados o a un minorista (si compra uno nuevo similar).

Para los países no mencionados anteriormente, póngase en contacto con las autoridades locales para obtener un método correcto de desecho.

De este modo, se asegurará de que su producto desechado se somete al tratamiento, recuperación y reciclaje necesarios y, de este modo, evitará posibles efectos negativos sobre el medioambiente y la salud humana.

La marca y los logotipos *Bluetooth®* son marcas registradas propiedad de Bluetooth SIG, Inc. y cualquier uso de dichas marcas por parte de Samson Technologies es bajo licencia. Otras marcas y nombres comerciales son de sus respectivos propietarios".

Información importante de seguridad

1. Lea estas instrucciones.
2. Conserve estas instrucciones.
3. Preste atención a todas las advertencias.
4. Siga todas las instrucciones.
5. No utilice este aparato cerca del agua.
6. Limpie solo con un paño seco.
7. No bloquee ninguna de las aberturas de ventilación. Instálelo de acuerdo con las instrucciones del fabricante.
8. No lo instale cerca de fuentes de calor como radiadores, rejillas de ventilación, estufas u otros aparatos (incluyendo amplificadores) que produzcan calor.
9. El enchufe polarizado o con conexión a tierra está puesto para su seguridad. No lo anule. Un enchufe polarizado tiene dos clavijas, una más ancha que la otra. Un enchufe con conexión a tierra tiene dos clavijas y una tercera clavija de conexión a tierra. La hoja ancha o la tercera punta se proporcionan para su seguridad. Si el enchufe suministrado no encaja en su tomacorriente, consulte a un electricista para reemplazar el tomacorriente obsoleto.
10. Proteja el cable de alimentación de pisadas o pellizcos, particularmente en los enchufes, receptáculos de conveniencia y en el punto donde salen del aparato.
11. Utilice únicamente los aditamentos/accesorios especificados por el fabricante.
12. Utilice únicamente con el carro, soporte, trípode, soporte o mesa especificados por el fabricante, o vendidos con el aparato. Cuando utilice un carro, tenga cuidado al mover la combinación de carro/aparato para evitar lesiones por vuelco. 
13. Desenchufe el aparato durante las tormentas eléctricas o cuando no lo utilice durante períodos prolongados de tiempo.
14. Todas las reparaciones deben ser realizadas por personal cualificado. El servicio es necesario cuando el aparato ha sido dañado de alguna manera, como por ejemplo si el cable de alimentación o el enchufe están dañados, si se ha derramado líquido o si han caído objetos dentro del aparato, si ha estado expuesto a la lluvia o la humedad, si no funciona normalmente o si se ha caído.
15. Este aparato no debe estar expuesto a goteras o salpicaduras de agua y no debe colocarse ningún objeto lleno de líquido, como jarrones, sobre el aparato.
16. Precaución: para evitar descargas eléctricas, haga juego con el enchufe de cuchilla ancha y la ranura ancha completamente insertada.
17. Por favor, mantenga un buen ambiente de ventilación alrededor de toda la unidad.
18. Para evitar lesiones, este aparato debe fijarse firmemente al soporte de acuerdo con las instrucciones de instalación.
19. **ADVERTENCIA:** La batería (batería o baterías o paquete de baterías) no debe exponerse a un calor excesivo como el sol, el fuego o similares.
20. **PRECAUCIÓN:** Peligro de explosión si la batería se cambia incorrectamente. Sustitúyalo solo por uno del mismo tipo o equivalente.
21. **ADVERTENCIA:** El enchufe de la red/acoplador de la aplicación se utiliza como dispositivo de desconexión, el dispositivo de desconexión debe permanecer fácilmente operable.
22. El descarte de las baterías debe realizarse teniendo en cuenta los aspectos medioambientales y de acuerdo con los requisitos de la legislación local.
23. No se deben colocar sobre el aparato fuentes de llamas, como velas encendidas.

Información importante de seguridad

Aviso de la FCC

1 Este dispositivo cumple con la Parte 15 de las normas de la FCC. El funcionamiento está sujeto a las dos condiciones siguientes:

- (1) Este dispositivo no debe causar interferencias..
- (2) Este dispositivo debe aceptar cualquier interferencia recibida, incluyendo interferencias que puedan causar un funcionamiento no deseado.

2 Los cambios o modificaciones no aprobados expresamente por la parte responsable del cumplimiento podrían anular la autoridad del usuario para operar el equipo.

Declaración de la FCC

Este equipo ha sido probado y se ha determinado que cumple con los límites para un dispositivo digital de Clase B, de acuerdo con la Parte 15 de las normas de la FCC. Estos límites están diseñados para proporcionar una protección razonable contra interferencias perjudiciales en una instalación residencial.

Este equipo genera usos y puede irradiar energía de radiofrecuencia y, si no se instala y utiliza de acuerdo con las instrucciones, puede causar interferencias perjudiciales en las comunicaciones de radio. Sin embargo, no hay garantía de que no se produzcan interferencias en una instalación en particular. Si este equipo causa interferencias perjudiciales en la recepción de radio o televisión, lo cual puede determinarse apagando y encendiendo el equipo, se recomienda al usuario que intente corregir la interferencia mediante una o más de las siguientes medidas:

- Reorientar o reubicar la antena receptora.
- Aumente la separación entre el equipo y el receptor.
- Conecte el equipo a un tomacorriente de un circuito diferente al que está conectado el receptor.
- Consulte al distribuidor o a un técnico de radio/TV experimentado para obtener ayuda.

Declaración de advertencia de RF

El dispositivo ha sido evaluado para cumplir con los requisitos generales de exposición a RF. El dispositivo puede ser utilizado en condiciones de exposición portátiles sin restricciones.

Este dispositivo cumple con RSS-310 de Industry Canada. El funcionamiento está sujeto a la condición de que este dispositivo no cause interferencias perjudiciales.

Por la presente, Samson Technologies Corp. declara que esta Expedition XP310w cumple con los requisitos esenciales y otras disposiciones pertinentes de la Directiva 2014/53/EU. La declaración de conformidad puede consultarse en el sitio web:

http://www.samsontech.com/site_media/support/manuals/XP310w_DOC.pdf

Introducción

Gracias por comprar el sistema de sonido portátil XP310w alimentado por batería, con conectividad inalámbrica Bluetooth®. Ligero y compacto, el XP310w tiene una potencia de 300 vatios y pesa menos de 12,47 kg (27,5 libras), lo que lo convierte en un excelente complemento para cualquier aplicación de altavoces móviles. Batería interna recargable para hasta 12 horas de uso continuo El XP310w también puede ser alimentado por CA (con el cable de alimentación incluido). La manija telescópica de bloqueo y las ruedas integradas, hacen que el XP310w sea fácil de transportar a cualquier salida.

El XP310w es una solución completa todo en uno que proporciona la flexibilidad de un mezclador de tres canales (con entradas para micrófono, instrumento y dispositivos de nivel de línea), una salida de línea para conectar varios altavoces y controles de tono de graves y agudos. Para un rendimiento totalmente independiente, el XP310w incluye un sistema inalámbrico de mano Samson Concert 88a y una ranura adicional para añadir un segundo sistema Concert 88a. También hay un conector USB para añadir un sistema inalámbrico Samson XPD Series. Ya sea que esté buscando un sistema de sonido para usar al aire libre, en el aula, para karaoke, para presentaciones o para interpretar música en vivo, el XP310w proporciona audio portátil de alta calidad en un pequeño paquete con alimentación propia.

Le recomendamos que guarde los siguientes registros como referencia, así como una copia de su recibo de venta.

Número de serie: _____

Fecha de compra: _____

Si tiene alguna pregunta o comentario sobre el sistema PA portátil XP310w o cualquier otro producto de Samson, no dude en ponerse en contacto con nosotros en support@samsontech.com.

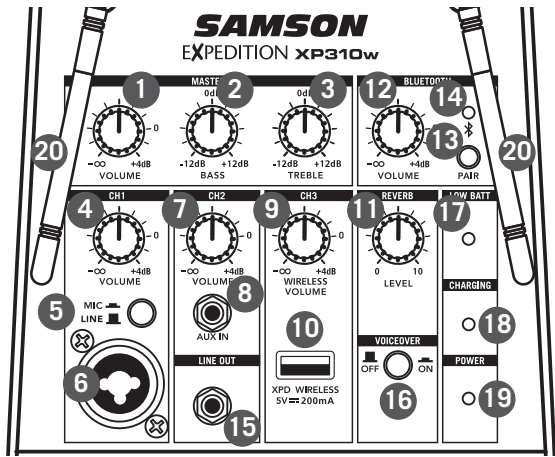
Con el cuidado y mantenimiento adecuados, su sistema PA portátil XP310w funcionará sin problemas durante muchos años. Si su sistema PA portátil XP310w alguna vez requiere servicio, debe obtener un número de autorización de devolución (RA, por su sigla inglesa) antes de enviar su unidad a Samson. Sin este número, la unidad no será aceptada. Por favor visite www.samsontech.com/ra para obtener un número de RA antes de enviar su unidad. Por favor, conserve los materiales de embalaje originales y, si es posible, devuelva la unidad en su caja original. Si su sistema PA portátil XP310w se compró fuera de los Estados Unidos, póngase en contacto con su distribuidor local.

Características

- Sistema PA portátil todo en uno de 300 vatios con un peso de 12,47 kg (27,5 lb).
- Caja acústica de 2 vías con woofer de 25,4 cm (10 in) y tweeter de 2,54 cm (1 in)
- Batería interna recargable para hasta 12 horas de uso continuo
- Conectividad Bluetooth para conectar fuentes de música inalámbricas
- Incluye Concert 88a Sistema inalámbrico UHF de mano con agilidad de frecuencia
- Mezclador de 4 canales montado en la parte superior con entradas de micrófono y de nivel de línea
- Master Bass y ecualizador de agudos
- Control de reverberación variable para entradas de micrófono/inalámbricas
- Control de voz en off con ducking prioritario
- Salida de línea para conectar en cadena varios sistemas juntos
- Dos puertos inalámbricos USB para usar con la serie Samson XPD USB Digital Wireless
- Mango telescópico y rodamientos suaves para facilitar el transporte
- Montaje de 3,49 cm (1 3/8 in) en el soporte del altavoz
- Dos soportes de micrófono integrados para guardar el micrófono de forma inalámbrica

Leyendas del mezclador XP310w

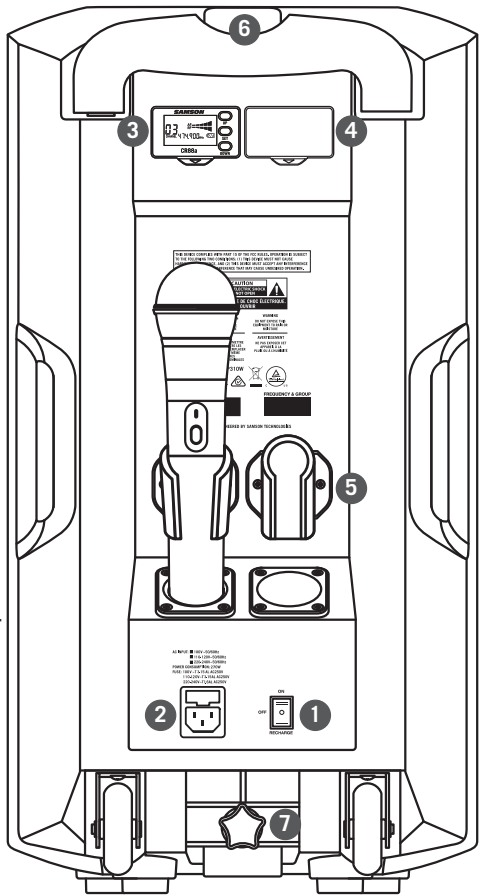
1. **MASTER VOL** - Se utiliza para controlar el nivel general del sistema de altavoces.
2. **MASTER BASS** - Controla el tono de baja frecuencia de todo el sistema.
3. **MASTER TREBLE** - Controla el tono de alta frecuencia de todo el sistema.
4. **CH1 VOLUME** - Controla el nivel de la entrada de micrófono/línea del canal 1.
5. **Interruptor LINE / MIC**



- Ajusta la ganancia de la entrada CH1 para un micrófono o dispositivo de nivel de línea.
6. **CH1 Input** - Entrada XLR-6,35 mm (1/4 in) para conectar un micrófono o un dispositivo con señal de nivel de línea.
7. **CH2 VOLUME** - Controla el nivel de la entrada auxiliar del canal 2.
8. **ENTRADA AUX** - Conecte un dispositivo de nivel de línea usando un cable de audio de 3,5 mm (1/8 in).
9. **CH3 WIRELESS VOLUME** - Controla el nivel de los receptores de micrófono inalámbrico Concert 88a así como el receptor inalámbrico XPD USB opcional.
10. **Entrada inalámbrica XPD WIRELESS** - Conecte un receptor inalámbrico digital USB Samson XPD a esta entrada. El receptor inalámbrico recibe su energía del XP310w, por lo que no se necesita una fuente de alimentación adicional.
11. **REVERB** - Esta perilla se utiliza para ajustar la cantidad total de reverberación añadida a los canales de entrada del Canal 1 y del Canal 3 (inalámbrico).
12. **BLUETOOTH® VOLUME** - Controla el nivel de la entrada de Bluetooth.
13. **Botón PAIR** - Pulse este botón para activar el modo de emparejamiento con el fin de conectarse a un dispositivo de audio Bluetooth.
14. **Indicador de emparejamiento** - Muestra el estado de Bluetooth del sistema Expedition XP310w .
15. **LINE OUT** - Conector de salida de 6,35 mm (1/4 in) de nivel de línea para conectar el XP310w a la entrada de otro XP310w para crear un sistema de altavoces expandido. La señal Line Out se encuentra antes de los controles MASTER VOLUME y EQ.
16. **Interruptor ON/OFF de VOICEOVER** - Enciende o apaga el VOICEOVER.
17. **Indicador de BATERÍA BAJA** - Este LED se ilumina cuando la batería del XP310w está baja. Cuando la luz está encendida, se recomienda conectar el XP310w a un tomacorriente de CA.
18. **Indicador CHARGING** - Cuando el XP310w está enchufado y el interruptor POWER está en la posición RECHARGE, el indicador CHARGING se iluminará en ROJO mientras se está cargando. Una vez finalizada la carga, el indicador se apagará.
19. **Indicador POWER** - Se ilumina en verde cuando el interruptor de encendido está en la posición ON.
20. **Antenas** - Las monturas de la antena permiten una rotación completa para una colocación óptima. Cuando se utiliza el sistema inalámbrico Concert 88a, ambas antenas deben colocarse en posición vertical.

Leyendas del panel trasero del XP310w

- 1. Interruptor de alimentación / recarga** - Este interruptor de tres posiciones se utiliza para encender o apagar el XP310w o para poner el sistema en modo de recarga para cargar la batería interna.
- 2. ENTRADA DE CA** - Conecte aquí el cable de alimentación suministrado.
- 3. Receptor CR88a** - Incluye receptor inalámbrico UHF de frecuencia ágil.
- 4. Ranura/tapa del receptor CR88a** - Ranura adicional para agregar un receptor inalámbrico CR88a adicional.
- 5. Almacenamiento de micrófonos** - Dos ranuras para almacenar transmisores de mano inalámbricos.
- 6. Mango telescópico** - Presione el botón y tire hacia arriba para extender el mango telescópico.
- 7. Receptáculo del soporte del altavoz** - 3,5 cm (1 3/8 in) con soporte de bloqueo para colocar el XP310w en un soporte de altavoz estándar.



ENGLISH

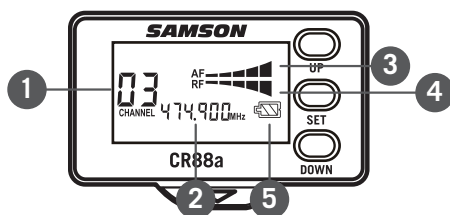
FRANÇAIS

DEUTSCHE

ESPAÑOL

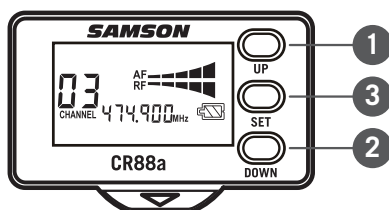
ITALIANO

Pantalla del receptor CR88a



1. **Canal** - Muestra el número de canal seleccionado.
2. **Frequency** - Indica la frecuencia de funcionamiento del canal seleccionado.
3. **Audio Meter** - Muestra la intensidad de la señal de audio entrante.
4. **RF Signal Meter** - Muestra la intensidad de la señal de radio entrante.
5. **Transmitter Battery Level** - Indica el nivel de batería del transmisor.

Uso del receptor CR88a



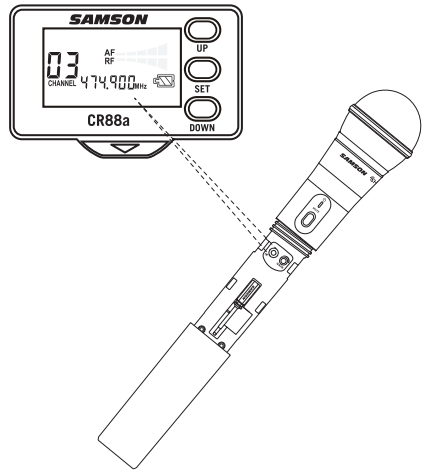
Selección de un canal

1. Pulse brevemente los botones UP (1) y DOWN (2) para desplazarse por los canales disponibles.
2. Pulse y mantenga pulsado el botón UP (1) durante 3 segundos para entrar en el modo de ajuste IR y enviar el canal seleccionado al transmisor.
3. Pulse y mantenga pulsado el botón UP (1) durante más de 6 segundos para desplazarse rápidamente por los canales. Una vez que se suelta el botón, el receptor entrará en el modo de ajuste IR para enviar el canal seleccionado al transmisor.
4. Presione y mantenga presionado el botón DOWN (2) durante 3 segundos para entrar en el modo de escaneo. El CR88a escaneará a través de los canales de operación y encontrará el canal óptimo para el rendimiento. Una vez que se suelta el botón, el receptor entrará en el modo de ajuste IR para enviar el canal seleccionado al transmisor.

Uso del receptor CR88a

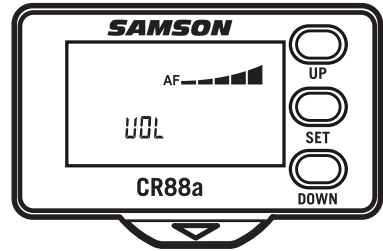
Configurar IR

5. Pulse y mantenga pulsado el botón UP (1) durante 3 segundos para entrar en el modo de ajuste IR y enviar el canal seleccionado al transmisor.
6. Coloque el transmisor a unos 15-30 cm (6"-12") de la parte frontal de la pantalla del receptor CR88a con la ventana de infrarrojos del transmisor (ubicada en el compartimiento de la batería mirando hacia el receptor).
7. Cuando la transmisión del canal de operación esté completa, el CR88a recibirá la señal de RF y el medidor de señal de RF se iluminará indicando que está recibiendo la señal inalámbrica del transmisor.



Ajuste del volumen del receptor

8. Pulse brevemente el botón SET (3) para entrar en el modo de ajuste de volumen del receptor.
9. Pulse el botón UP (1) para aumentar el nivel de salida del receptor.
10. Pulse el botón DOWN (2) para disminuir el nivel de salida del receptor.



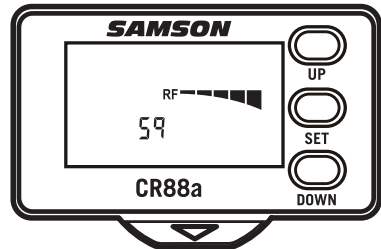
Ajuste del silenciador

El silenciamiento es una función del receptor que pasa el audio cuando la señal de radio deseada está por encima del umbral de silenciamiento y silencia el audio cuando la señal de radio está por debajo del umbral. Cuanto más alto sea el ajuste del silenciador, más fuerte tendrá que ser la señal entrante para que usted pueda oírlo.

Para ajustar el nivel de silenciamiento, coloque el transmisor inalámbrico a la distancia más lejana que espera utilizarlo y ajuste el nivel de silenciamiento hasta que silencie la señal. Luego vuelva a ajustar el nivel de silenciamiento hasta que se escuche la señal del transmisor inalámbrico.

El nivel de silenciamiento debe ajustarse justo por encima del ruido de fondo de la señal de radio. Si el nivel de silenciamiento está demasiado bajo, escuchará ruido estático que pasa a través del receptor cuando el transmisor está apagado o fuera de rango.

11. Presione brevemente el botón SET (3) dos veces para entrar en el modo de ajuste del silenciador.
12. Pulse el botón UP (1) para aumentar el nivel de salida del receptor.
13. Pulse el botón DOWN (2) para disminuir el nivel de salida del receptor.



Leyendas de los transmisores de mano CH88

1. **Indicador de estado** - Este LED muestra el modo de funcionamiento:

VERDE	Funcionamiento normal
ROJO	Silencio
Intermitente VERDE	Batería baja

2. **Interruptor de alimentación/silenciado** -

Mantenga pulsado para encender o apagar la unidad. Pulse y suelte para silenciar o anular el silencio del transmisor.

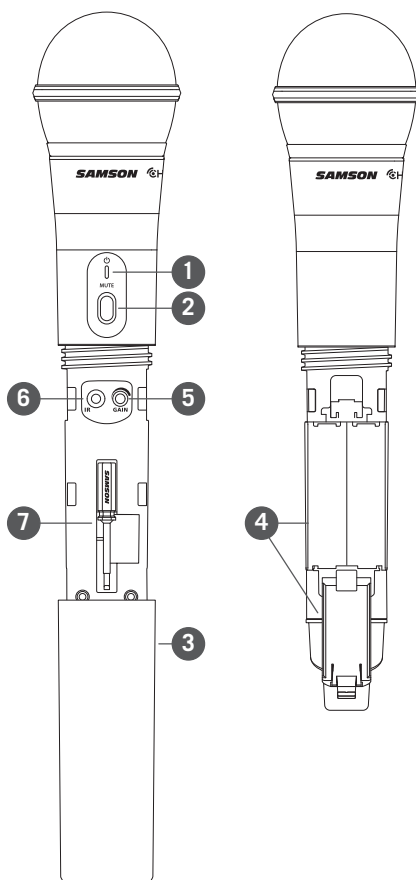
3. **Cubierta de la batería** - Desenrosque la cubierta de la batería y deslícela hacia abajo para abrir el compartimento de la batería de la CH88.

4. **Portapilas** - Abra el portapilas presionando la lengüeta y levantando la tapa. Inserte aquí dos pilas estándar AA (LR6) y asegúrese de observar las marcas de polaridad positiva y negativa que se muestran. Aunque se pueden utilizar pilas recargables de Ni-Cad, no suministran la corriente adecuada durante más de cuatro horas. **ADVERTENCIA:** No inserte las pilas al revés; de lo contrario, puede causar graves daños a la CH88 y anulará la garantía.

5. **Control de ganancia de entrada** - Este control ajusta la sensibilidad de entrada del transmisor. Para un rendimiento óptimo, con el destornillador incluido, ajuste el control de ganancia de entrada a donde vea la luz de todos los indicadores CR88a AF en niveles altos, luego baje el control hasta que el último indicador se ilumine solo durante picos de audio.

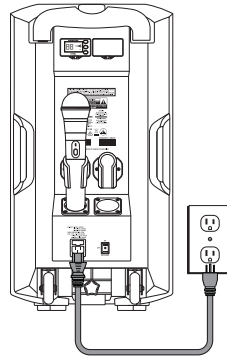
6. **Lente IR** - Esta ventana se utiliza para capturar la señal infrarroja enviada desde el CR88a durante el IR SET para canalizar el transmisor. La tapa de la batería debe estar abierta y la lente infrarroja orientada hacia el receptor para cargar el canal seleccionado.

7. **Destornillador** - Diseñado para usar en el ajuste del control de ganancia de la entrada CH88.



Inicio rápido

1. Coloque el interruptor de encendido XP310w en la posición OFF y gire completamente todos los controles de NIVEL en sentido contrario a las agujas del reloj a 0.
2. Si hay un tomacorriente disponible, conecte el cable de alimentación incluido a la entrada de CA del altavoz y enchúfelo a un tomacorriente.
3. Ponga el interruptor de encendido del XP310w en la posición "ON".
4. Conecte sus fuentes de audio.
5. Suba el control MASTER VOLUME y ajuste los niveles de entrada siguiendo los pasos que se indican a continuación.

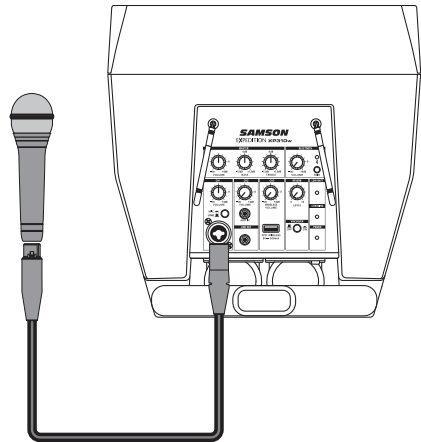


Realizando las conexiones

Canal 1 (Entrada de micrófono / línea)

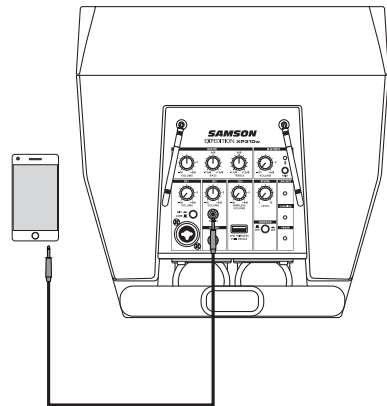
1. Conecte un micrófono usando un cable XLR estándar o un equipo de nivel de línea usando un cable de instrumento de 6,35 mm (1/4 in).
2. Si conecta un micrófono, coloque el interruptor LINE / MIC en la posición hacia abajo (MIC). Si conecta un dispositivo de nivel de línea, coloque el interruptor LINE / MIC en la posición (LINE) hacia arriba.
3. Mientras habla en el micrófono o reproduce música de una fuente de audio de nivel de línea, suba lentamente el control del canal CH1 VOLUME hasta que haya alcanzado el nivel deseado.

Nota: Si no utiliza la entrada de micrófono, gire el control MIC VOLUME hasta el fondo para evitar cualquier ruido no deseado.

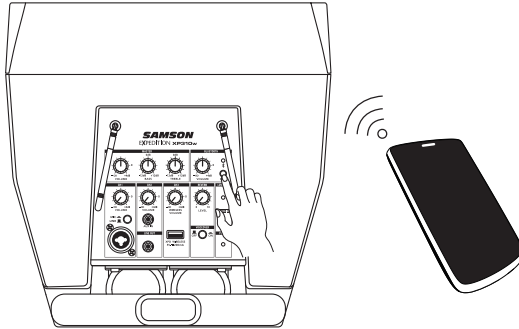


Canal 2 (entrada auxiliar)

4. Conecte un dispositivo de nivel de línea con un cable de 3,5 mm (1/8 in).
5. Mientras reproduce música de una fuente de audio de nivel de línea, levante lentamente el canal CH2,VOLUME hasta que haya alcanzado el nivel deseado.



Inicio rápido



Bluetooth®

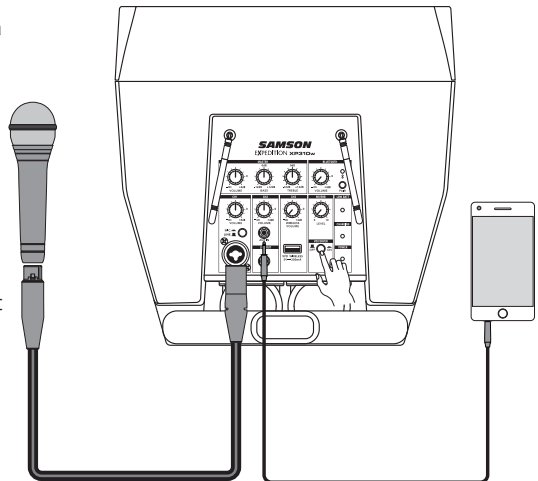
1. Gire el control BLUETOOTH VOLUME hacia abajo en sentido contrario a las agujas del reloj a 0.
2. Con el XP310w y el dispositivo Bluetooth encendido, presione el botón PAIR en el panel trasero del XP310w para que el altavoz sea visible. El indicador Bluetooth parpadeará lentamente en azul.
3. En la configuración de su dispositivo Bluetooth, póngalo en "descubrir" los dispositivos disponibles.
4. En la lista de dispositivos Bluetooth, seleccione el dispositivo "Samson BLUETOOTH".
5. Si el dispositivo solicita una clave de acceso, introduzca los dígitos 0000 (cuatro ceros) y pulse Aceptar. Algunos dispositivos también pueden pedirle que acepte la conexión.
6. El altavoz XP310w indica que el emparejamiento se ha completado cuando el indicador se vuelve de color azul fijo. Ahora puede transmitir audio desde su dispositivo a los altavoces de XP310w.
7. Con el control de volumen del dispositivo Bluetooth activado, reproduzca algo de música y levante lentamente el control XP310w BLUETOOTH VOLUME hasta que haya alcanzado el nivel deseado.

Uso del conmutador de voz en off

El doblador de voz en off XP310w es un sofisticado sistema de música y buscapersonas donde la música de fondo bajará automáticamente cuando se haga un anuncio. El atenuador puede funcionar con sonido proveniente de cualquiera de las entradas de micrófono alámbricas o inalámbricas.

Cuando se pulsa el interruptor VOICEOVER, cuando haya señal en la entrada de micrófono del Canal 1, en las entradas inalámbricas Concert 88a o en la entrada inalámbrica XPD, la entrada de nivel de línea del Canal 2 y el audio Bluetooth se reducirán automáticamente.

Una vez que no haya entrada presente en las entradas de micrófono y de micrófono inalámbrico, la entrada de nivel de línea y el audio Bluetooth volverán a sus niveles normales.



Conectando el Samson XPD Wireless

Los siguientes pasos detallan la conexión de un sistema inalámbrico digital USB Samson XPD2 (se vende por separado) a su XP310w.

1. Conecte el receptor USB RXD2 en una de las tomas USB del panel trasero del XP310w directamente (figura 1) o utilizando el cable de extensión USB incluido (figura 2).
2. Coloque un juego de pilas AA (LR6) nuevas en el portapilas del transmisor, teniendo cuidado de observar las marcas de polaridad, y luego vuelva a colocar la tapa.
3. Gire la perilla de Volumen Inalámbrico del Canal 3 completamente en sentido contrario a las agujas del reloj, luego gire la alimentación del XP310w a la posición ON.
4. Encienda el transmisor presionando y manteniendo presionado el interruptor de encendido; el LED indicador se iluminará de color ámbar.
5. Si el transmisor y el receptor no han sido emparejados previamente, presione y mantenga presionado el botón del receptor RXD2 durante >5 segundos, hasta que comience a parpadear. Presione y continúe manteniendo presionado el botón de encendido del transmisor hasta que los indicadores LED de ambas unidades se iluminen fijos, indicando que el receptor y el transmisor están emparejados y listos para funcionar.
6. Hable o cante en el micrófono a un nivel de rendimiento normal y levante el control de volumen inalámbrico del canal 3 en el XP310w hasta que se alcance el nivel deseado.
7. Si oye distorsión, baje el volumen inalámbrico del Canal 3 en el XP310w. Si la distorsión sigue siendo audible, utilice el destornillador suministrado para girar el control de ganancia del transmisor HXD1 lentamente en sentido contrario a las agujas del reloj hasta que desaparezca la distorsión.
Por el contrario, si escucha una señal débil y ruidosa al nivel de volumen deseado y con el control de nivel inalámbrico del XP310w ajustado al máximo, utilice el destornillador para girar el control de ganancia del transmisor HXD1 lentamente en el sentido de las agujas del reloj hasta que la señal alcance un nivel aceptable.

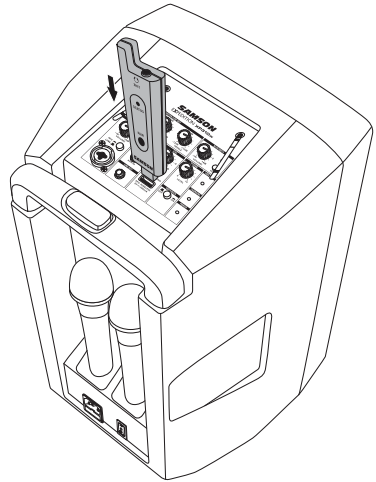


Figura 1

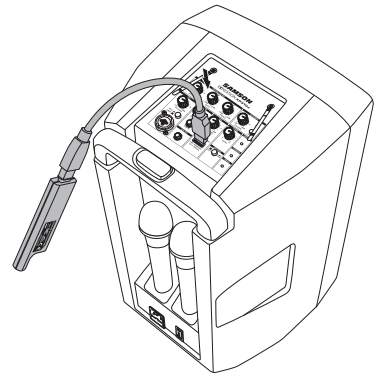


Figura 2

ENGLISH

FRANÇAIS

DEUTSCHE

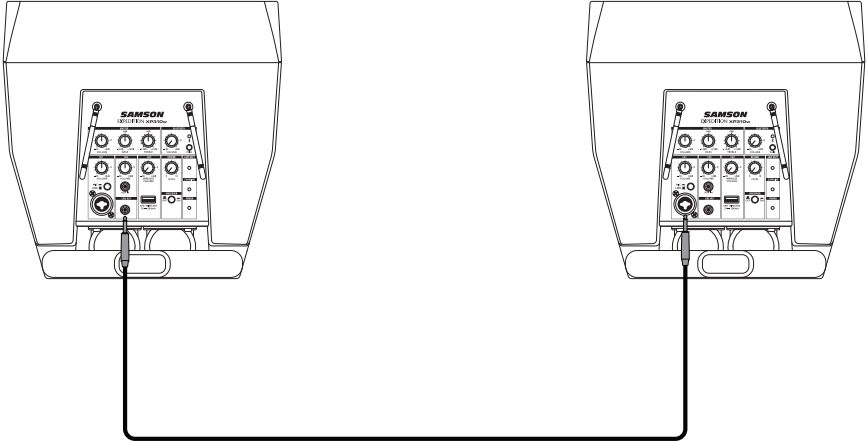
ESPAÑOL

ITALIANO

Uso del conector LINE OUT

La toma LINE OUT del XP310w le permite conectar el XP310w con cualquier altavoz alimentado para expandir su sistema o enlazar dos sistemas XP310w entre sí para encadenar los altavoces.

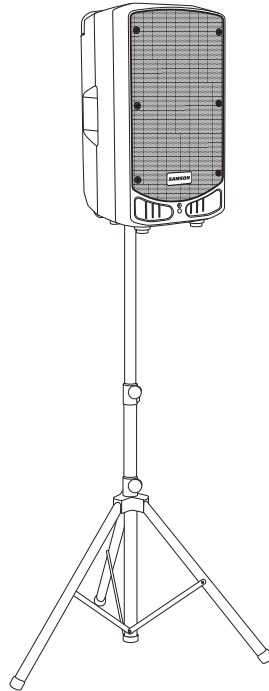
Utilizando un cable de instrumento estándar blindado de 6,35 mm (1/4 in), conecte la salida LINE OUT del XP310w a una entrada de nivel de línea del segundo altavoz alimentado. El XP310w enviará una mezcla de todas las entradas, incluyendo el audio Bluetooth®. Cada canal VOLUME controlará el nivel de salida correspondiente a la toma LINE OUT.



Uso de un soporte de altavoz

El XP310w incluye un receptáculo para montaje en poste de 35 mm (1 3/8 in) en la parte inferior del gabinete. Esto se ajusta a un soporte de altavoz estándar de 35 mm (1 3/8 in). Para una cobertura máxima cuando se utiliza un soporte de altavoz, el altavoz debe estar por encima de las cabezas de la audiencia que escucha.

Tenga cuidado al colocar el altavoz sobre un soporte, para asegurarse de que esté en una superficie nivelada y estable y de que no se vuelque. Utilice un soporte diseñado para soportar un altavoz con un peso mínimo de 13,61 kg (30 lb).



Carga de la batería

El XP310w tiene una batería interna recargable con capacidad de hasta 12 horas de audio continuo con una carga completa. Aunque el sistema puede tener alguna carga cuando se saca de la caja por primera vez, se recomienda cargar completamente su XP310w antes de usar el sistema por primera vez.

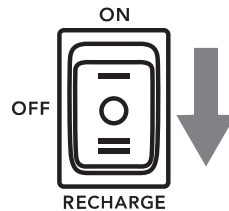
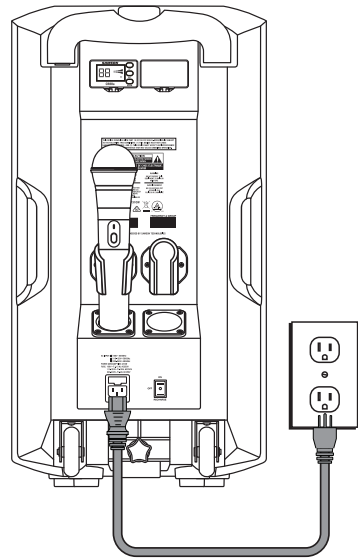
Para cargar la batería:

1. Conecte el XP310w a una toma de corriente alterna utilizando el cable de alimentación incluido.
2. Ponga el interruptor de encendido en la posición "OFF".
3. Mientras se carga, el indicador CHARGING se iluminará en rojo.
4. Mantenga el sistema enchufado hasta que el indicador CHARGING se apague, lo que indica que la batería está completamente cargada.

Si observa que el tiempo de funcionamiento del XP310w se reduce notablemente, incluso después de cargarlo por completo, debe reemplazar la batería. Póngase en contacto con el servicio de atención al cliente de Samson o con su distribuidor local para obtener una batería de repuesto.

Una advertencia de que las baterías (paquete de baterías o baterías instaladas) no deben exponerse a un calor excesivo como el sol, el fuego o similares.

PRECAUCIÓN: Peligro de explosión si la batería se cambia incorrectamente. Sustitúyalo solo por uno del mismo tipo o equivalente. Debe prestarse atención a los aspectos medioambientales de la eliminación de pilas.



ENGLISH

FRANÇAIS

DEUTSCHE

ESPAÑOL

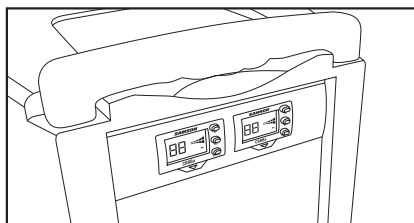
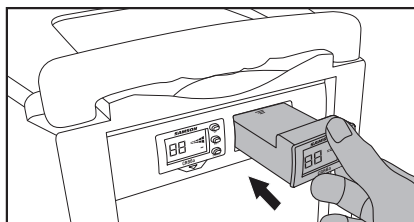
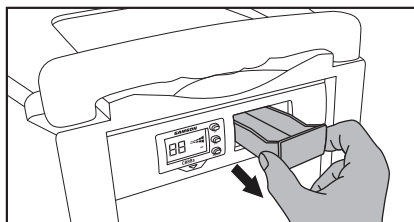
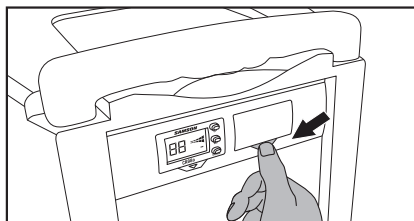
ITALIANO

Instalación del receptor CR88a

El XP310w viene con un receptor CR88a instalado. Puede añadir un receptor CR88a adicional al sistema. Siga estos pasos para instalar el receptor.

1. Apague el XP310w POWER y deje el cable de alimentación de CA desconectado hasta que finalice el proceso de instalación.
2. Presione el botón con la flecha debajo del panel receptor en blanco hasta que el panel aparezca (puede que necesite usar una herramienta que no marque).
3. Retire el panel en blanco deslizando fuera del XP310w.
4. Alinee el módulo CR88a con la ranura abierta y deslice el módulo hacia adentro hasta que quede completamente asentado en el XP310w.

Nota: Cuando se utilizan varios sistemas, cada sistema debe ajustarse a un canal de operación diferente.



Especificaciones

Potencia de salida	300 vatios Pico
Altavoces	woofer de 15,24 cm (10 in) + tweeter de 2,54 cm (1 in)
Respuesta de frecuencia	50Hz-18kHz -3dB
Entrada de micrófono/línea	XLR- 6,35 mm (1/4 in) combo
Entrada Auxiliar	3,18 mm (1/8 in) Auxiliar
Entrada inalámbrica	Entrada inalámbrica USB inalámbrica
Salidas Línea	6,35 mm (1/4 in)
Control de tono	Master Bass & Treble EQ
Control Dinámico	Reverberación, Voz en off (atenuador)
Bluetooth	Bluetooth 4.0, A2DP
Frecuencia de trabajo	2.402GHz ~ 2.480GHz
Potencia RF	<10mW
Duración de la batería	Hasta 12 horas gracias a la batería de Li-ion incorporada
Carga de la batería	4-6 horas
Fuente de alimentación	AC:100-120V/220-240V, 50~60Hz
Construcción	Polipropileno
Parrilla	Parrilla de acero perforado, con recubrimiento de polvo
Receptáculo de montaje	integral de 3,5 cm (1 3/8 in) para montaje en poste
Receptor inalámbrico	Samson CR88a
Sensibilidad inalámbrica	-100 dBm / 30 dB sinad
Rechazo de imagen inalámbrica	>50 dB
Alcance de trabajo inalámbrico	Línea de visión de 100' (30m)
Temperatura de funcionamiento	-10°C ~ +40°C
Dimensiones (LxPxA)	12,25 in x 12,25 in x 22 in 310 mm x 310 mm 560 mm
Peso	27,5 lb /12,5 kg
Transmisor de mano CH88	
Elemento de micrófono	Dynamic
Rango de ganancia de entrada	28 dB
Potencia RF	<10 mW EIRP
Requisitos de alimentación	Dos pilas alcalinas AA (LR6)
Duración de la batería	8 horas
Dimensiones (HxØ)	10,23" x 2,1" 260 mm x 54 mm
Peso	0,48 lb /218 g

ENGLISH

FRANÇAIS

DEUTSCHE

ESPAÑOL

ITALIANO

Concert 88a Bandas operativas y gamas de frecuencias

Banda	Rango de frecuencia
K	470-494 MHz
D ^a	542-566 MHz
IL*	794-806 MHz
B*	806-810 MHz
G*	863-865 MHz

* No apto para usar en los EE.UU. y Canadá.

Frecuencia europea de funcionamiento

Nota: Este equipo está destinado a aplicaciones musicales profesionales y similares, y puede ser capaz de funcionar en algunas frecuencias no autorizadas en su región. Póngase en contacto con su autoridad nacional para obtener información sobre las frecuencias autorizadas para los productos de micrófonos inalámbricos en su región.

Banda	Rango de frecuencia	Códigos de país de la UE	Nota:
K	470-494 MHz	AT, BE, BG, CY, CZ, DK, EE, FI, FR, DE, GR, HU, IS, IE, IT, LV, LT, LU, MT, NL, NO, PL, PT, RO, SK, SI, ES, SE, CH, UK	
D**	542-566 MHz		
IL*	794-806 MHz		Para uso en Israel
B*	806-810 MHz		Para uso en Japón
G*	863-865 MHz	AT, BE, BG, CY, CZ, DK, EE, FI, FR, DE, GR, HU, IS, IE, IT, LV, LT, LU, MT, NL, NO, PL, PT, RO, SK, SI, ES, SE, CH, UK	Libre de licencia

** No apto para usar en la UE.

^a Licencias: Tenga en cuenta que puede ser necesaria una licencia ministerial para operar este equipo en ciertas áreas. Consulte a su autoridad nacional sobre los posibles requisitos. La licencia del equipo de micrófonos inalámbricos Samson es responsabilidad del usuario, y la licencia depende de la clasificación y aplicación del usuario y de la frecuencia seleccionada.

Importanti informazioni sulla sicurezza



**ATTENZIONE
RISCHIO DI SCOSSE ELETTRICHE -
NON APRIRE**



Questo simbolo del lampo con la punta a freccia all'interno di un triangolo equilatero avverte l'utente della presenza di una "tensione pericolosa" non isolata all'interno del prodotto che può essere di entità sufficiente a costituire un rischio di scossa elettrica.



Il punto esclamativo all'interno di un triangolo equilatero avverte l'utente della presenza di importanti istruzioni operative e di manutenzione nella documentazione che accompagna l'apparecchio.

AVVERTENZA: PER RIDURRE IL RISCHIO DI SCOSSA ELETTRICA, NON TOGLIERE IL COPERCHIO (O LA PARTE POSTERIORE), IN QUANTO ALL'INTERNO NON VI SONO PARTI RIPARABILI DALL'UTENTE. RIVOLGERSI A PERSONALE DELL'ASSISTENZA QUALIFICATO.

Se si desidera smaltire questo prodotto, non mischiarlo con i rifiuti domestici generici.



Esiste un sistema di raccolta differenziata per i prodotti elettronici usati in conformità alla legislazione che richiede un trattamento, un recupero e un riciclaggio adeguati.

I nuclei familiari dei 28 Stati membri dell'UE, della Svizzera e della Norvegia possono restituire gratuitamente i loro prodotti elettronici usati a centri di raccolta designati o a un rivenditore (se ne viene acquistato uno nuovo simile).

Per i Paesi non menzionati sopra, contattare le autorità locali per conoscere un metodo di smaltimento corretto.

In questo modo, si garantisce che il prodotto smaltito venga sottoposto al necessario trattamento, recupero e riciclaggio, evitando così potenziali effetti negativi sull'ambiente e sulla salute umana.

Il marchio denominativo e i loghi *Bluetooth®* sono marchi registrati di proprietà di Bluetooth SIG, Inc. e qualsiasi uso di tali marchi da parte di Samson Technologies è concesso in licenza. Altri marchi e nomi commerciali sono quelli dei rispettivi proprietari".

XP310w • Sistema PA portatile

Importanti informazioni sulla sicurezza

1. Leggere queste istruzioni.
2. Conservare queste istruzioni.
3. Rispettare tutte le avvertenze.
4. Seguire tutte le istruzioni.
5. Non utilizzare l'apparecchio vicino all'acqua.
6. Pulire solo con un panno asciutto.
7. Non bloccare le aperture di ventilazione. Installare secondo le istruzioni del produttore.
8. Non installare vicino a fonti di calore quali radiatori, diffusori di aria calda, stufe o altri apparecchi (compresi amplificatori) che producono calore.
9. Non annullare lo scopo di sicurezza della spina polarizzata o con messa a terra. Una spina polarizzata ha due lame, delle quali una è più larga dell'altra. Una spina con messa a terra ha due lame e un terzo polo di messa a terra. La lama larga o il terzo polo sono forniti per la sicurezza dell'utente. Se la spina in dotazione non si adatta alla propria presa, consultare un elettricista affinché sostituisca la presa obsoleta.
10. Proteggere il cavo di alimentazione in modo che non venga calpestato o schiacciato, in particolare in corrispondenza delle spine, delle prese e nel punto di uscita dall'apparecchio.
11. Utilizzare solo accessori specificati dal produttore.
12. Utilizzare solo con il carrello, il supporto, il treppiede, la staffa o il tavolo specificati dal produttore, o venduti con l'apparecchio. Quando si utilizza un carrello, prestare attenzione quando si sposta la combinazione carrello/apparecchio onde evitare lesioni da ribaltamento.
13. Scollegare l'apparecchio durante i temporali o quando non viene utilizzato per lunghi periodi di tempo.
14. Per tutti gli interventi di manutenzione, rivolgersi a personale qualificato. L'assistenza è necessaria quando l'apparecchio è stato danneggiato in qualsiasi modo, ad esempio se il cavo di alimentazione o la spina sono stati danneggiati, se è stato versato del liquido o sono caduti oggetti all'interno dell'apparecchio, se questo è stato esposto a pioggia o umidità, se non funziona normalmente o se è caduto.
15. L'apparecchio non deve essere esposto a gocce o schizzi d'acqua né bisogna appoggiarvi sopra alcun oggetto pieno di liquidi, ad esempio un vaso.
16. Attenzione - onde evitare scosse elettriche, abbinare la spina a lama larga con lo slot largo completamente inserito.
17. Mantenere un corretto ambiente di ventilazione intorno all'intera unità.
18. Onde evitare lesioni, l'apparecchio deve essere saldamente fissato al supporto secondo le istruzioni di installazione.
19. **AVVERTENZA:** la batteria (batteria o batterie o pacco batterie) non deve essere esposta a calore eccessivo quale sole, fuoco o simili.
20. **ATTENZIONE:** pericolo di esplosione in caso di sostituzione errata della batteria. Sostituire solo con lo stesso tipo o equivalente.
21. **AVVERTENZA:** la spina di rete/l'accoppiatore dell'apparecchio si usa come dispositivo di disconnessione, il dispositivo di disconnessione deve rimanere facilmente azionabile.
22. Lo smaltimento delle batterie deve tenere conto degli aspetti ambientali ed essere conforme ai requisiti di legge locali.
23. Non collocare sull'apparecchio fonti di fiamme libere, quali candele accese.



Importanti informazioni sulla sicurezza

Avviso FCC

1. Questo dispositivo è conforme alla Parte 15 delle norme FCC. Il funzionamento è soggetto alle due condizioni seguenti:

(1) Questo dispositivo non deve causare interferenze dannose.

(2) Questo dispositivo deve accettare qualsiasi interferenza ricevuta, comprese le interferenze che possono causare un funzionamento indesiderato.

2. Cambiamenti o modifiche non esplicitamente approvati dalla parte responsabile della conformità possono invalidare il diritto dell'utente a utilizzare l'apparecchio.

Dichiarazione FCC

Questo apparecchio è stato testato e trovato conforme ai limiti per un dispositivo digitale di Classe B, in conformità alla Parte 15 delle norme FCC. Questi limiti sono progettati per fornire una ragionevole protezione contro le interferenze dannose in un'installazione residenziale.

Questo apparecchio genera, utilizza e può irradiare energia a radiofrequenza e, se non viene installato e utilizzato secondo le istruzioni, può causare interferenze dannose alle comunicazioni radio. Tuttavia, non vi è alcuna garanzia che non si verifichino interferenze in una installazione specifica. Se questo apparecchio causa interferenze dannose alla ricezione radio o televisiva, che possono essere determinate spegnendo e riaccendendo l'apparecchio, si consiglia all'utente di tentare di correggere l'interferenza mediante una o più delle seguenti misure:

- Riorientare o riposizionare l'antenna ricevente.
- Aumentare la distanza tra l'apparecchio e il ricevitore.
- Collegare l'apparecchio a una presa su un circuito diverso da quello a cui è collegato il ricevitore.
- Consultare il rivenditore o un tecnico radio/TV esperto per ricevere assistenza.

Dichiarazione di avvertimento RF

Il dispositivo è stato valutato per soddisfare i requisiti generali di esposizione alle radiofrequenze. Il dispositivo può essere utilizzato in condizioni di esposizione portatile senza limitazioni.

Questo dispositivo è conforme all'RSS-310 di Industry Canada. Il funzionamento è soggetto alla condizione che questo dispositivo non provochi interferenze dannose.

Con la presente, Samson Technologies Corp. dichiara che questo Expedition XP310w è conforme ai requisiti essenziali e alle altre disposizioni pertinenti della Direttiva 2014/53/UE. La dichiarazione di conformità può essere consultata al seguente indirizzo:
http://www.samsontech.com/site_media/support/manuals/XP310w_DOC.pdf

ENGLISH

FRANÇAIS

DEUTSCHE

ESPAÑOL

ITALIANO

Introduzione

Grazie per aver acquistato il sistema audio portatile XP310w alimentato a batteria, dotato di connettività Bluetooth® wireless. Leggero e compatto, l'XP310w vanta 300 watt di potenza e pesa solo 27,5 onces, il che lo rende un eccellente complemento a qualsiasi applicazione di diffusori mobili. La batteria interna ricaricabile fornisce fino a 12 ore di utilizzo continuo. L'XP310w può anche essere alimentato a CA (con il cavo di alimentazione incluso). La maniglia telescopica di bloccaggio e le ruote integrate rendono l'XP310w facile da trasportare fuori casa.

L'XP310w è una soluzione completa all-in-one che offre la flessibilità di un mixer a quattro canali (con ingressi per microfoni e dispositivi di livello di linea), un'uscita di linea per collegare più diffusori e ducking prioritario voiceover. Per una performance completamente libera, l'XP310w include un sistema wireless portatile Samson Concert 88a e uno slot supplementare per aggiungere un secondo sistema Concert 88a. Inoltre, prevede un jack USB per aggiungere un sistema wireless Samson Serie XPD. Che si stia cercando un impianto audio da utilizzare all'aperto, in classe, per il karaoke, per presentazioni o per eseguire musica dal vivo, l'XP310w offre audio portatile di alta qualità in un piccolo pacchetto autoalimentato.

Si consiglia di conservare le seguenti registrazioni di riferimento, nonché una copia della ricevuta di vendita.

Numero di serie: _____

Data di acquisto: _____

In caso di domande o commenti sul sistema PA portatile XP310w o su qualsiasi altro prodotto Samson, contattarci all'indirizzo support@samsontech.com.

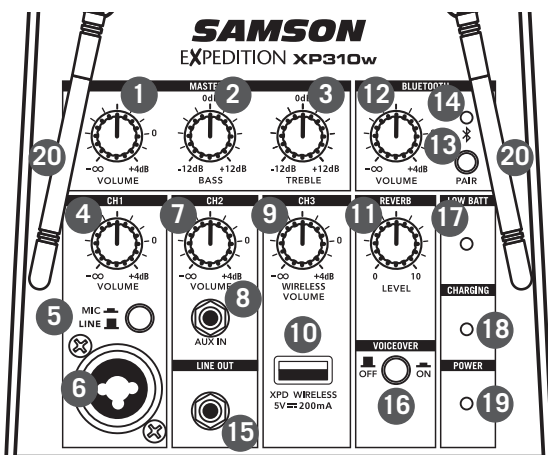
Con la cura e la manutenzione adeguate, il sistema PA portatile XP310w funzionerà senza problemi per molti anni. Se il sistema PA portatile XP310w dovesse mai richiedere interventi di manutenzione, è necessario ottenere un numero di autorizzazione alla restituzione (RA) prima di spedire l'unità a Samson. Senza questo numero, l'unità non sarà accettata. Visitare il sito www.samsontech.com/ra per ottenere un numero RA prima della spedizione dell'unità. Conservare i materiali di imballaggio originali e, se possibile, restituire l'unità nella confezione originale. Se il sistema PA portatile XP310w è stato acquistato al di fuori degli Stati Uniti, contattare il distributore locale.

Caratteristiche

- Sistema PA portatile all-in-one da 300 watt dal peso di 27,5 libbre
- Custodia per diffusori a 2 vie con woofer da 10" e tweeter da 1"
- La batteria agli ioni di litio interna ricaricabile fornisce fino a 12 ore di utilizzo continuo.
- Connettività Bluetooth per collegare sorgenti musicali wireless
- Comprende il sistema wireless UHF portatile a frequenza agile UHF Concert 88a.
- Mixer a 4 canali montato dall'alto con ingressi microfono e livello di linea
- Equalizzatore Master Bass e Treble
- Controllo variabile del riverbero per ingressi microfono/wireless
- Controllo della voce fuori campo con ducking prioritario
- Uscita di linea verso sistemi multipli in cascata insieme
- Porta USB wireless per l'utilizzo con sistemi wireless USB digitali portatili Samson Serie XPD
- Impugnatura telescopica e ruote volventi lisce per un facile trasporto
- Montaggio su supporto per diffusori da 1 3/8"
- Due portamicrofoni integrati per riporre i microfoni wireless

Callout del mixer XP310w

- MASTER VOLUME** - Utilizzato per controllare il livello complessivo del sistema di diffusori.
- MASTER BASS** - Controlla il tono delle basse frequenze dell'intero sistema.
- MASTER TREBLE** - Controlla il tono delle alte frequenze dell'intero sistema.
- CH1 VOLUME** - Regola il livello dell'ingresso Channel 1 Mic/Line.
- Interruttore LINE/MIC** - Regola il guadagno dell'ingresso CH1 per un microfono o un dispositivo di livello di linea.
- Ingresso CH1** - Ingresso XLR-1/4" per il collegamento di un microfono o di un dispositivo con segnale di livello di linea.
- CH2 VOLUME** - Regola il livello dell'ingresso Aux Channel 2.
- AUX IN** - Collegare un dispositivo di livello di linea utilizzando un cavo audio da 1/8".
- CH3 WIRELESS VOLUME** - Controlla il livello dei ricevitori microfonici wireless del Concert 88a e del ricevitore wireless XPD USB opzionale.
- Ingresso XPD WIRELESS** - Collegare un ricevitore digitale wireless Samson XPD USB a questo ingresso. Il ricevitore wireless riceve l'alimentazione dall'XP310w, quindi non è necessaria alcuna alimentazione aggiuntiva.
- REVERB** - Questa manopola è utile per regolare la quantità totale di riverbero aggiunto ai canali di ingresso Channel 1 e Channel 3 (wireless).
- BLUETOOTH® VOLUME** - Regola il livello dell'ingresso Bluetooth.
- Pulsante PAIR** - Premere questo pulsante per attivare la modalità di accoppiamento per connettersi a un dispositivo audio Bluetooth.
- Spia di accoppiamento** - visualizza lo stato Bluetooth del sistema XP310w.
- LINE OUT** - Connettore di uscita da 1/4" di livello di linea per collegare l'XP310w all'ingresso di un altro XP310w per creare un sistema di diffusori dual mono. Il segnale LINE OUT si trova prima dei controlli MASTER VOLUME ed EQ.
- Interruttore VOICEOVER ON/OFF** - Accende o spegne il ducking VOICEOVER.
- Spia LOW BATTERY** - Questo LED si accende quando la batteria dell'XP310w è quasi scarica. Quando la luce è accesa, si consiglia di collegare l'XP310w alla presa CA.
- Spia CHARGING** - Quando l'XP310w è collegato e l'interruttore POWER è impostato sulla posizione RECHARGE, la spia CHARGING si illumina in ROSSO mentre sta ricaricando. Una volta completata la carica, la spia si spegne.
- Spia POWER** - Si accende in verde quando l'interruttore di alimentazione è in posizione ON.
- Antenne** - I supporti dell'antenna consentono una rotazione completa per un posizionamento ottimale. Quando si utilizza il sistema wireless Concert 88a, entrambe le antenne devono essere collocate in posizione verticale.



ENGLISH

FRANÇAIS

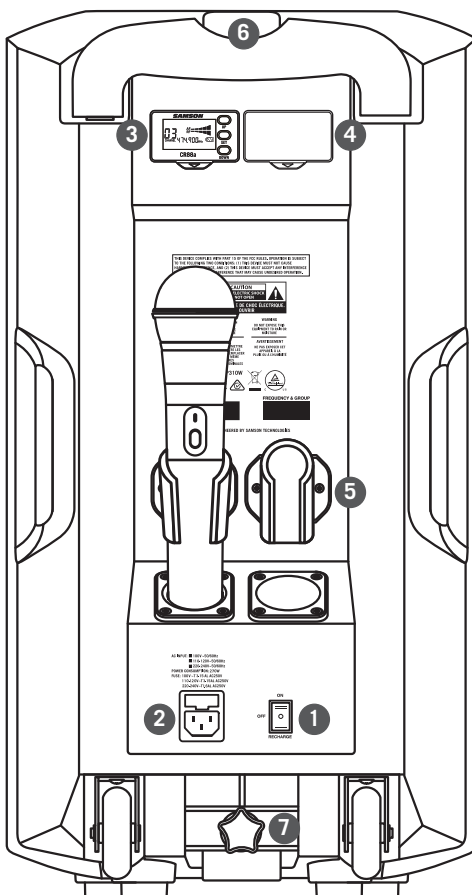
DEUTSCHE

ESPAÑOL

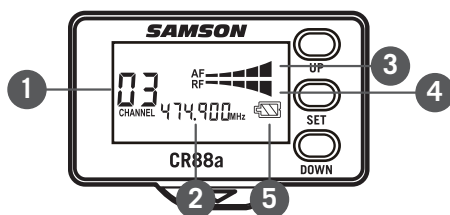
ITALIANO

Callout del pannello posteriore del XP310w

- 1. Interruttore di accensione/ricarica** - Questo interruttore a tre posizioni viene utilizzato per accendere, spegnere o mettere l'XP310w in modalità RECHARGE per caricare la batteria interna.
- 2. AC INPUT** - Collegare qui il cavo di alimentazione in dotazione.
- 3. Ricevitore CR88a** - Incluso ricevitore UHF wireless a frequenza agile.
- 4. Coperchio/slot del ricevitore CR88a** - Slot supplementare per aggiungere un ricevitore wireless CR88a extra.
- 5. Conservazione del microfono** - Due slot per riporre trasmettitori portatili wireless.
- 6. Maniglia telescopica** - Premere il pulsante e tirare verso l'alto per allungare la maniglia telescopica.
- 7. Presa per supporti per diffusori** - 1 supporto da 3/8" con bloccaggio per posizionare l'XP310w su un supporto per diffusori standard.

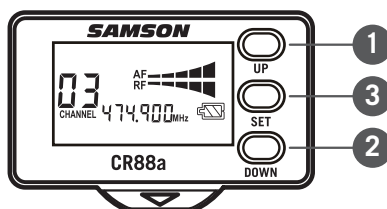


Display del ricevitore CR88a



1. **Channel (Canale)** - Visualizza il numero del canale selezionato.
2. **Frequency (Frequenza)** - Indica la frequenza operativa del canale selezionato.
3. **Audio Meter (Misuratore di livello audio)** - Visualizza la forza del segnale audio in ingresso.
4. **RF Signal Meter (Misuratore di segnale RF)** - Visualizza la forza del segnale audio in ingresso.
5. **Livello della batteria del trasmettitore** - Indica il livello della batteria del trasmettitore.

Uso del ricevitore CR88a



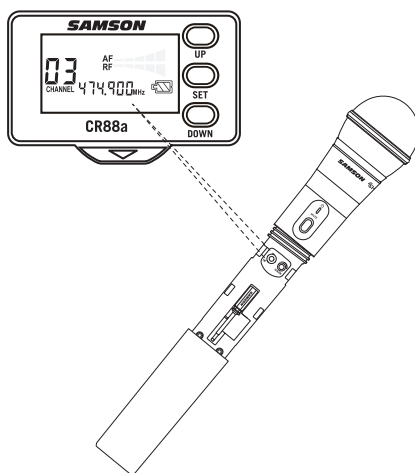
Selezione di un canale

1. Premere brevemente i tasti UP (1) e DOWN (2) per navigare tra i canali disponibili.
2. Premere e tenere premuto il pulsante UP (1) per 3 secondi per entrare nella modalità IR Set per inviare il canale selezionato al trasmettitore.
3. Tenere premuto il pulsante UP (1) per più di 6 secondi per compiere un ciclo rapido attraverso i canali. Dopo aver rilasciato il pulsante, il ricevitore entra in modalità IR Set per inviare il canale selezionato al trasmettitore.
4. Tenere premuto il pulsante DOWN (2) per più di 3 secondi per entrare in modalità scansione. Il CR88a scansiona attraverso i canali operativi e trova il canale ottimale per le prestazioni. A scansione avvenuta, il ricevitore entra in modalità IR Set per inviare il canale selezionato al trasmettitore.

Uso del ricevitore CR88a

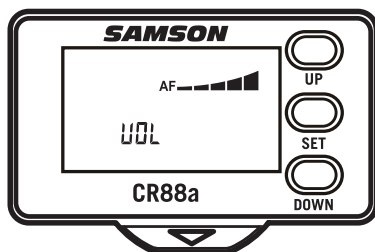
IR Set

5. Premere e tenere premuto il pulsante UP (1) per 3 secondi per entrare nella modalità IR Set per inviare il canale selezionato al trasmettitore.
6. Posizionare il trasmettitore a circa 6"-12" (15-30 cm) dalla parte anteriore del display del ricevitore CR88a con la finestra IR del trasmettitore (situata nel vano batterie) rivolta verso il ricevitore.
7. Quando la trasmissione del canale operativo è completa, il CR88a riceverà il segnale RF e il misuratore di segnale RF si accenderà per segnalare che sta ricevendo il segnale wireless dal trasmettitore.



Impostazione del volume del ricevitore

8. Premere brevemente il pulsante SET (3) per entrare in modalità di regolazione del volume del ricevitore.
9. Premere il pulsante UP (1) per aumentare il livello di uscita del ricevitore.
10. Premere il pulsante DOWN (2) per diminuire il livello di uscita del ricevitore.



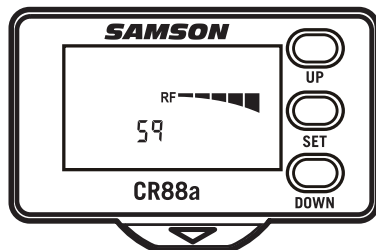
Regolazione dello squelch

Lo squelch è una funzione del ricevitore che passa l'audio quando il segnale radio desiderato è al di sopra della soglia dello squelch e disattiva l'audio quando il segnale radio è al di sotto della soglia. Più alto è lo squelch, più forte dovrà essere il segnale in ingresso per poterlo sentire.

Per impostare il livello dello squelch, posizionare il trasmettitore wireless alla distanza più lontana che si prevede di utilizzare e regolare il livello dello squelch fino a quando non disattiva il segnale. Quindi, regolare il livello dello squelch di nuovo verso l'alto fino a quando si sente il segnale del trasmettitore wireless.

Il livello di squelch deve essere impostato appena sopra il rumore di fondo del segnale radio. Se l'impostazione dello squelch è troppo bassa, si sentirà un rumore statico passare attraverso il ricevitore quando il trasmettitore è spento o fuori portata.

11. Premere brevemente due volte il pulsante SET (3) per entrare in modalità di regolazione dello squelch.
12. Premere il pulsante UP (1) per aumentare il livello della soglia dello squelch.
13. Premere il pulsante DOWN (2) per diminuire il livello della soglia dello squelch.

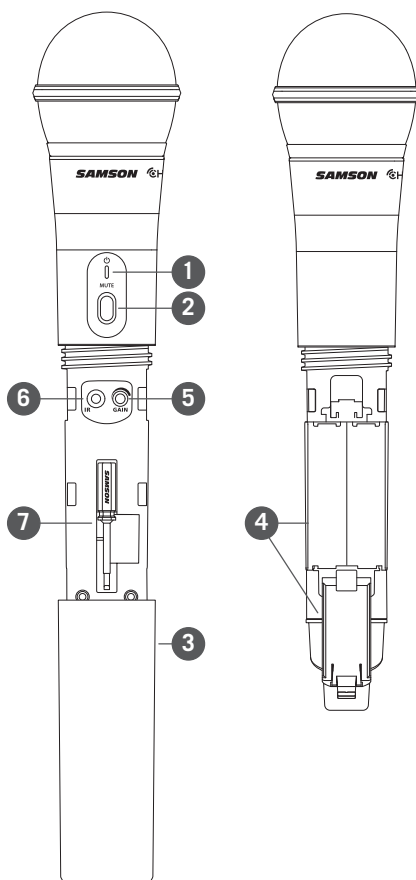


Callout del trasmettitore portatile CH88

1. **Spia di stato** - Questo LED indica la modalità di funzionamento:

VERDE	Funzionamento normale
ROSSO	Silenziato
VERDE lampeggiante	Batteria quasi scarica

2. **Interruttore Power/Mute** - Premere e tenere premuto per accendere o spegnere l'unità. Premere e rilasciare per silenziare o riattivare l'audio del trasmettitore.
3. **Coperchio della batteria** - Svitare il coperchio della batteria e far scorrere verso il basso per aprire il vano batterie dell'CH88.
4. **Portabatteria** - Aprire il portabatteria premendo la linguetta e sollevando il coperchio. Inserire qui due batterie AA (LR6) standard, avendo cura di osservare i segni di polarità più e meno indicati. Sebbene sia possibile utilizzare batterie ricaricabili al Ni-Cad, esse non forniscono corrente sufficiente per più di quattro ore. **AVVERTENZA:** non inserire le batterie al contrario; ciò può causare gravi danni all'CH88 e annullare la garanzia.
5. **Controllo GAIN di ingresso** - Questo controllo regola la sensibilità dell'ingresso del trasmettitore. Per ottenere prestazioni ottimali, utilizzando il cacciavite incluso, impostare il controllo GAIN in ingresso su dove si vedono tutte le spie CR88a AF sotto livelli elevati, quindi abbassare il controllo fino a quando l'ultima spia si illumina solo durante i picchi audio.
6. **Obiettivo IR** - Questa finestrella viene utilizzata per acquisire il segnale infrarosso inviato dal CR88a durante l'IR SET per canalizzare il trasmettitore. Il coperchio della batteria deve essere aperto e l'obiettivo IR rivolto verso il ricevitore per caricare il canale selezionato.
7. **Cacciavite** - Progettato per l'uso nella regolazione del controllo GAIN degli ingressi CH88.



ENGLISH

FRANÇAIS

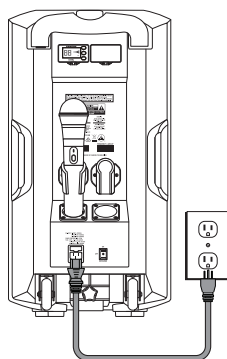
DEUTSCHE

ESPAÑOL

ITALIANO

Avvio rapido

1. Portare l'interruttore di alimentazione dell'XP310w in posizione OFF e ruotare completamente tutti i controlli LEVEL in senso antiorario su 0.
2. Se è disponibile una presa di alimentazione, collegare il cavo di alimentazione incluso all'ingresso CA del diffusore e inserirlo in una presa elettrica.
3. Portare l'interruttore di alimentazione dell'XP310w in posizione ON.
4. Collegare le sorgenti audio.
5. Ruotare il controllo MASTER VOLUME verso l'alto e impostare i livelli di ingresso, in base alla procedura seguente.

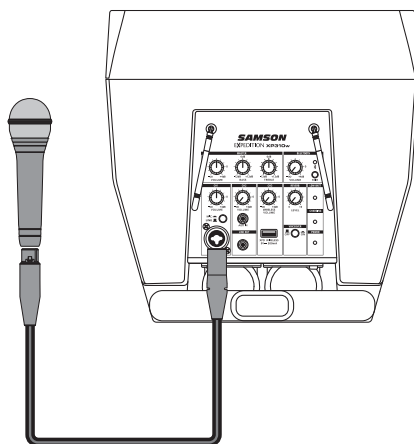


Effettuare i collegamenti

Channel 1 (ingresso Mic/Line)

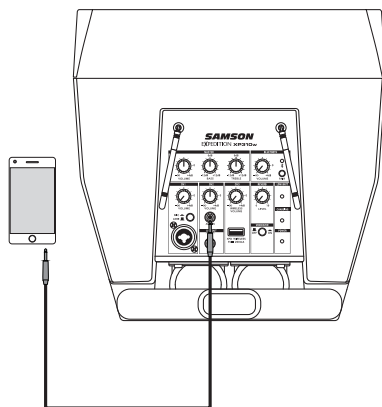
1. Collegare un microfono usando un cavo XLR standard o un'apparecchiatura di livello di linea usando un cavo per strumenti da 1/4".
2. Se si collega un microfono, impostare l'interruttore LINE/MIC sulla posizione bassa (MIC). Se si collega un dispositivo di livello di linea, impostare l'interruttore LINE/MIC sulla posizione alta (LINE).
3. Mentre si parla nel microfono o si riproduce musica da una sorgente audio a livello di linea, alzare lentamente il comando CH1 VOLUME del canale fino a raggiungere il livello desiderato.

NOTA: se non si utilizza l'ingresso Channel 1, abbassare completamente il controllo VOLUME per evitare qualsiasi rumore indesiderato.

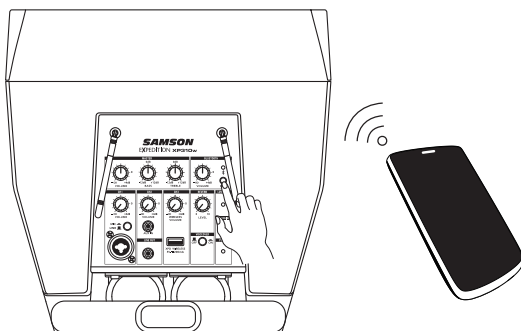


Channel 2 (ingresso Aux)

4. Collegare un dispositivo di livello di linea utilizzando un cavo per strumenti da 1/8".
5. Mentre si riproduce musica da una sorgente audio di livello di linea, alzare lentamente il controllo CH2 VOLUME del canale fino a raggiungere il livello desiderato.



Avvio rapido



Bluetooth®

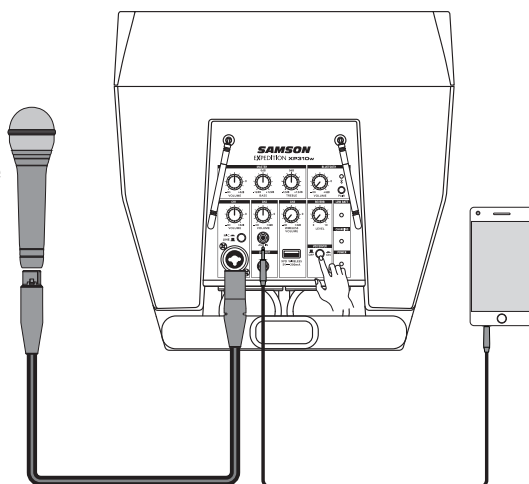
1. Ruotare il controllo BLUETOOTH VOLUME verso il basso in senso antiorario fino a 0.
2. Con l'XP310w e il dispositivo Bluetooth accesi; premere il pulsante PAIR sul pannello posteriore dell'XP310w per rendere il diffusore rilevabile. La spia Bluetooth lampeggia lentamente in blu.
3. Nelle impostazioni del dispositivo Bluetooth, impostarlo per "scoprire" i dispositivi disponibili.
4. Dall'elenco dei dispositivi Bluetooth, selezionare il dispositivo "Samson BLUETOOTH".
5. Se il dispositivo richiede una chiave di accesso, immettere le cifre 0000 (quattro zeri) e premere OK. Alcuni dispositivi possono anche chiedere di accettare la connessione.
6. Il diffusore dell'XP310w indica che l'accoppiamento è completo quando la spia diventa blu fisso. Ora, è possibile trasmettere in streaming l'audio dal dispositivo ai diffusori dell'XP310w.
7. Con il controllo del volume del dispositivo Bluetooth alzato, riprodurre un po' di musica e alzare lentamente il controllo BLUETOOTH VOLUME dell'XP310w fino a raggiungere il livello desiderato.

Uso dell'interruttore Voiceover

Il ducker voiceover dell'XP310w è un sofisticato sistema di musica e paging in cui la musica di sottofondo si abbassa automaticamente quando viene diffuso un annuncio. Il ducker può funzionare con il suono proveniente da uno qualsiasi degli ingressi microfonici cablati o wireless.

Quando si preme l'interruttore VOICEOVER, in presenza di un segnale all'ingresso microfonico del canale 1, agli ingressi wireless Concert 88a o all'ingresso wireless XPD, l'ingresso del livello di linea del Channel 2 e l'audio Bluetooth si abbasserà automaticamente.

Quando non vi sono ingressi presenti sugli ingressi microfono e microfono wireless, l'ingresso di livello di linea e l'audio Bluetooth torneranno ai loro livelli normali.



Collegamento di Samson XPD wireless

La procedura che segue descrive in dettaglio il collegamento di un sistema wireless digitale USB Samson XPD2 USB (venduto separatamente) all'XP310w.

1. Inserire il ricevitore USB RXD2 direttamente in una delle prese USB sul pannello posteriore dell'XP310w (figura 1) o usando il cavo di prolunga USB incluso (figura 2).
2. Inserire un nuovo set di batterie AA (LR6) nel portabatterie del trasmettitore, facendo attenzione a rispettare i segni di polarità, quindi rimontare il coperchio.
3. Ruotare la manopola del volume wireless Channel 3 completamente in senso antiorario, quindi portare l'XP310w in posizione ON.
4. Inserire l'alimentazione al trasmettitore portatile HXD1 o da cintura PXD1 premendo e tenendo premuto l'interruttore Power; il LED della spia si illuminerà di colore ambra.
5. Se il trasmettitore e il ricevitore non sono stati precedentemente accoppiati, tenere premuto il pulsante del ricevitore RXD2 per più di 5 secondi, finché non inizia a lampeggiare. Premere e continuare a tenere premuto il pulsante Power del trasmettitore finché le spie LED di entrambe le unità non si accendono costantemente, per segnalare che il ricevitore e il trasmettitore sono accoppiati e pronti per l'uso.
6. Parlare o cantare nel microfono a un livello di prestazioni normale e alzare la manopola del volume wireless Channel 3 dell'XP310w fino a raggiungere il livello desiderato.
7. Se si percepisce della distorsione, abbassare il volume wireless Channel 3 sull'XP310w. Se la distorsione è ancora udibile, usare il cacciavite in dotazione per ruotare lentamente in senso antiorario il controllo del guadagno nel trasmettitore HXD1 fino a quando la distorsione scompare. Al contrario, se si sente un segnale debole e rumoroso al livello di volume desiderato e con il controllo di livello wireless dell'XP310w impostato al massimo, usare il cacciavite per ruotare lentamente in senso orario il controllo del guadagno nel trasmettitore HXD1 fino a quando il segnale raggiunge un livello accettabile.

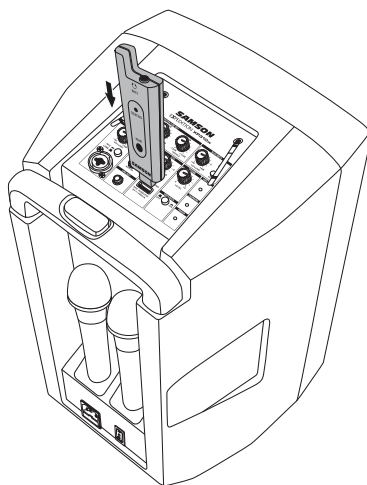


Figura 1

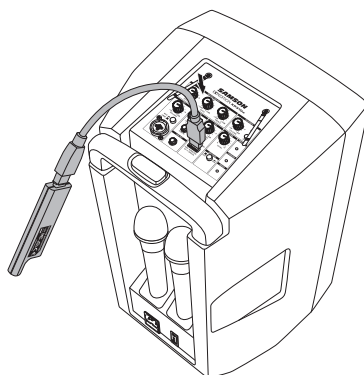
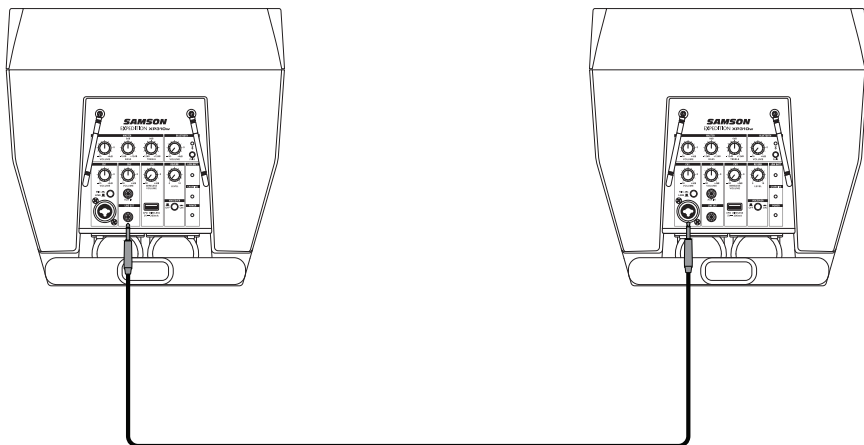


Figura 2

Utilizzo del jack LINE OUT

Il jack LINE OUT dell'XP310w consente di collegare l'XP310w a qualsiasi diffusore alimentato per espandere il sistema o collegare due sistemi XP310w insieme per collegare in cascata i diffusori.

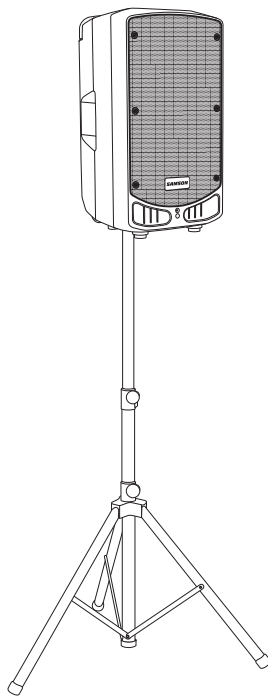
Utilizzando un cavo standard schermato da 1/4" per strumenti, collegare l'uscita LINE OUT dell'XP310w a un ingresso a livello di linea del secondo diffusore alimentato. L'XP310w invierà un mix di tutti gli ingressi, incluso l'audio Bluetooth®. Ogni canale VOLUME controllerà il corrispondente livello di uscita al jack LINE OUT.



Utilizzo di un supporto per diffusori

L'XP310w include una presa per montaggio su palo da 1 3/8" (35 mm) nella parte inferiore del cabinet. Si adatta a un supporto standard per diffusori da 1-3/8" (35 mm). Per ottenere la massima copertura quando si utilizza un supporto per diffusori, il diffusore deve essere sollevato al di sopra delle teste del pubblico in ascolto.

Prestare attenzione quando si posiziona il diffusore su un supporto, per assicurarsi che sia su una superficie piana e stabile e che non si ribalti. Utilizzare un supporto progettato per supportare un diffusore con un peso minimo di 30 libbre.



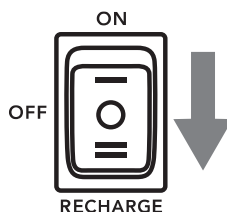
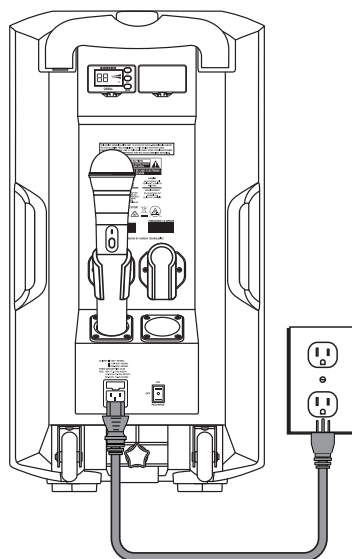
Ricarica della batteria

L'XP310w ha una batteria interna ricaricabile che fornisce fino a 12 ore di audio con una carica completa. Anche se il sistema può avere una certa carica quando viene estratto dalla confezione, si raccomanda di caricare completamente l'XP310w prima di utilizzarlo.

Per ricaricare la batteria:

1. Collegare l'XP310w a una presa di corrente CA utilizzando il cavo di alimentazione incluso.
2. Portare l'interruttore di alimentazione in posizione "RECHARGE".
3. Durante la carica la spia CHARGING si accende in rosso.
4. Tenere il sistema collegato fino a quando la spia CHARGING diventa verde, per segnalare che la batteria è completamente carica.

Se si nota che il tempo di funzionamento dell'XP310w si riduce notevolmente, anche dopo una carica completa, sostituire la batteria. Contattare il servizio clienti Samson o il distributore locale per ottenere una batteria sostitutiva.



Avvertenza: le batterie (pacco batterie o batterie installate) non devono essere esposte a calore eccessivo come sole, fuoco o simili.

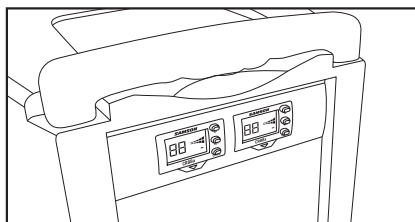
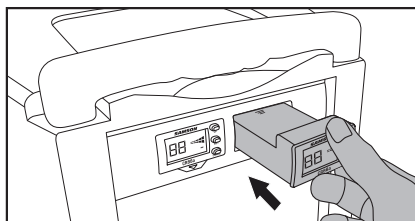
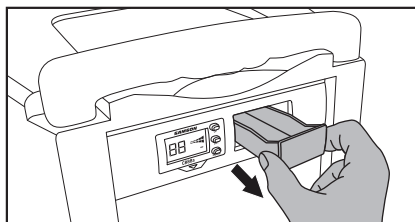
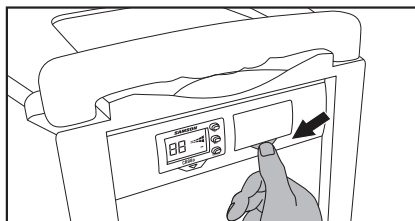
ATTENZIONE: pericolo di esplosione in caso di sostituzione errata della batteria. Sostituire solo con lo stesso tipo o equivalente. Si deve richiamare l'attenzione sugli aspetti ambientali dello smaltimento delle batterie.

Installazione del ricevitore CR88a

L'XP310w viene fornito con un ricevitore CR88a installato. È possibile aggiungere un ricevitore CR88a supplementare al sistema. Per installare il ricevitore, procedere come segue.

1. Spegnerne l'XP310w e lasciare il cavo di alimentazione CA scollegato fino al termine della procedura di installazione.
2. Premere il pulsante con la freccia sotto il pannello del ricevitore vuoto fino a quando il pannello non si apre (potrebbe essere necessario utilizzare uno strumento che non lasci segni).
3. Rimuovere il pannello vuoto facendolo scorrere fuori dall'XP310w.
4. Allineare il modulo CR88a con lo slot aperto e far scorrere il modulo finché non è completamente inserito nell'XP310w.

Nota: quando si utilizzano più sistemi, ogni sistema deve essere impostato su un canale operativo diverso.



ENGLISH

FRANÇAIS

DEUTSCHE

ESPAÑOL

ITALIANO

Specifiche

Potenza di uscita	300 watt Picco
Diffusori	Woofers da 10" + tweeter da 1"
Risposta in frequenza	50Hz-18kHz (-3dB)
Ingresso Mic/Line	XLR-1/4" combo
Ingresso Aux	1/8" Aux
Ingresso wireless	Wireless USB
Uscite	1/4" di linea
Controllo del tono	Equalizzatore Master Bass e Treble
Controllo dinamico	Riverbero, Voiceover (ducker)
Bluetooth	Bluetooth 4.0, A2DP
Frequenza di funzionamento	2.402GHz~2.480GHz
Potenza RF	<10mW
Durata della batteria	Fino a 12 ore mediante ioni di litio integrati
Ricarica della batteria	4-6 ore
Alimentazione	CA:100-120V/220-240V, 50~60Hz
Costruzione	Polipropilene
Griglia	Griglia forata in acciaio, verniciata a polvere
Montaggio	presa per montaggio su palo da 1 3/8" integrale
Ricevitore wireless	Samson CR88a
Sensibilità wireless	-100 dBm / 30 dB sinad
Reiezione dell'immagine wireless	>50 dB
Intervallo operativo wireless	100' (30m) linea di vista
Temperatura di funzionamento	-10°C ~ +40°C
Dimensioni (Largh. x Prof. x Alt.)	12,25" x 12,25" x 22" 310 mm x 310 mm 560 mm
Peso	27,5 libbre/12,5 kg

Trasmettitore portatile CH88

Elemento microfono	Dinamico
Gamma guadagno d'ingresso	28 dB
Potenza RF	10 mW EIRP
Requisiti di alimentazione	Due batterie alcaline AA (LR6)
Durata della batteria	8 ore
Dimensioni (Alt. x Ø)	10,23" x 2,1" 260 mm x 54 mm
Peso	0,48 libbre/218 g

Bande operative e intervalli di frequenza Concert 88a

Banda	Gamma di frequenza
K ^a	470-494 MHz
D ^a	542-566 MHz
IL*	794-806 MHz
B*	806-810 MHz
G*	863-865 MHz

* Non destinato all'uso negli Stati Uniti e in Canada.

Funzionamento a frequenza europea

Nota: questo apparecchio è destinato ad applicazioni musicali professionali e simili e potrebbe essere in grado di operare su alcune frequenze non autorizzate nella propria area geografica. Contattare la propria autorità nazionale per ottenere informazioni sulle frequenze autorizzate per i prodotti microfonici wireless nella propria area geografica.

Banda	Gamma di frequenza	Codici Paese UE	Nota
K ^a	470-494 MHz	AT, BE, BG, CY, CZ, DK, EE, FI, FR, DE, GR, HU, IS, IE, IT, LV, LT, LU, MT, NL, NO, PL, PT, RO, SK, SI, ES, SE, CH, UK	
D**	542-566 MHz		
IL**	794-806 MHz		Per l'uso in Israele
B**	806-810 MHz		Per l'uso in Giappone
G	863-865 MHz	AT, BE, BG, CY, CZ, DK, EE, FI, FR, DE, GR, HU, IS, IE, IT, LV, LT, LU, MT, NL, NO, PL, PT, RO, SK, SI, ES, SE, CH, UK	Senza licenza

** Non destinato all'uso nella UE.

^a Licenze: si tenga presente che in alcune aree può essere richiesta una licenza ministeriale per l'utilizzo di questo apparecchio. Consultare l'autorità nazionale per eventuali requisiti. La concessione di licenze delle apparecchiature microfoniche wireless Samson è responsabilità dell'utente e la concessione della licenza dipende dalla classificazione e dall'applicazione dell'utente e dalla frequenza selezionata.

ENGLISH

FRANÇAIS

DEUTSCHE

ESPAÑOL

ITALIANO

**Having Trouble with your XP310w?
We can help!**



**CONTACT OUR SUPPORT TEAM: support@samsontech.com
Our experts can help you resolve any issues.**

Follow us:



@samson



@samsontech



@samson_technologies

Samson Technologies Corp.
278-B Duffy Ave
Hicksville, New York 11801
Phone: 1-800-3-SAMSON (1-800-372-6766)
Fax: 631-784-2201
www.samsontech.com