



EW-D ASA

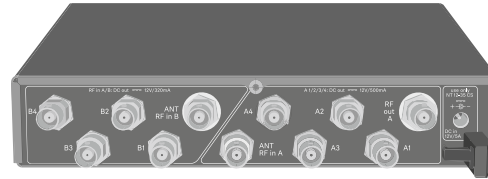
Active Antenna Splitter

Quick Guide
Kurzanleitung
Guide rapide
Guida rapida
Guía de inicio rápido
Guia rápido
Beknopte handleiding
Krótka instrukcja obsługi
Snabbguide

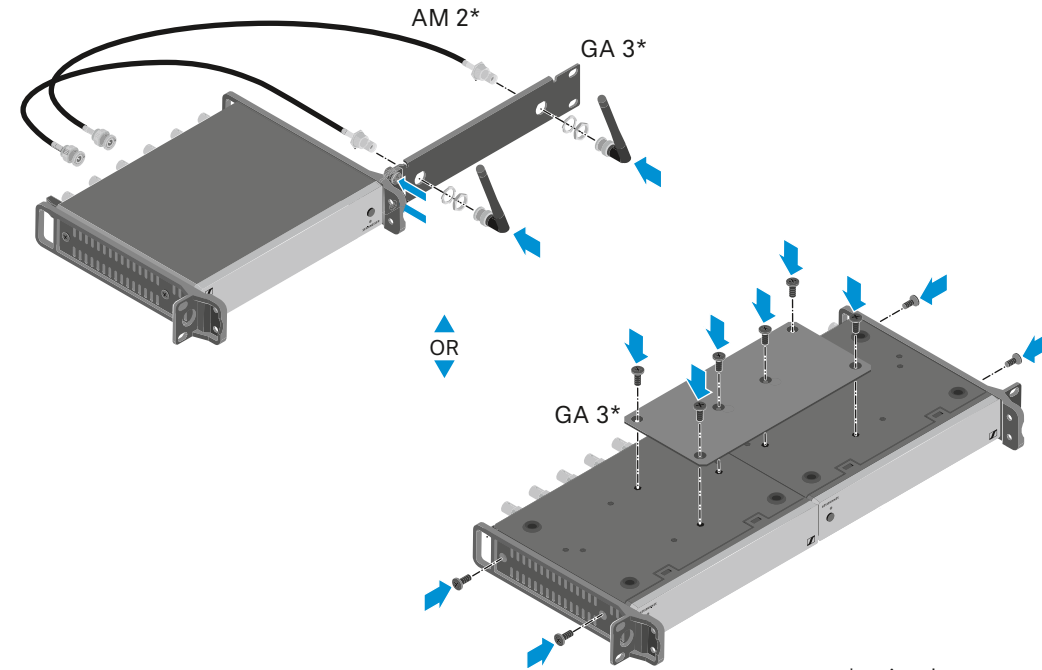
Kort vejledning
Pikaohje
Γρήγορος οδηγός
Kısa Kılavuz
Краткая инструкция
快速指南
快速使用指南
クイックガイド
퀵 가이드

SENNHEISER

EW-D ASA

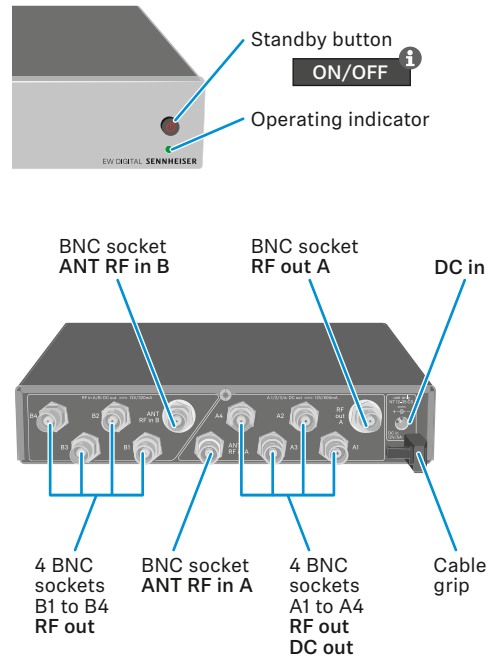


Setup



*optional accessory

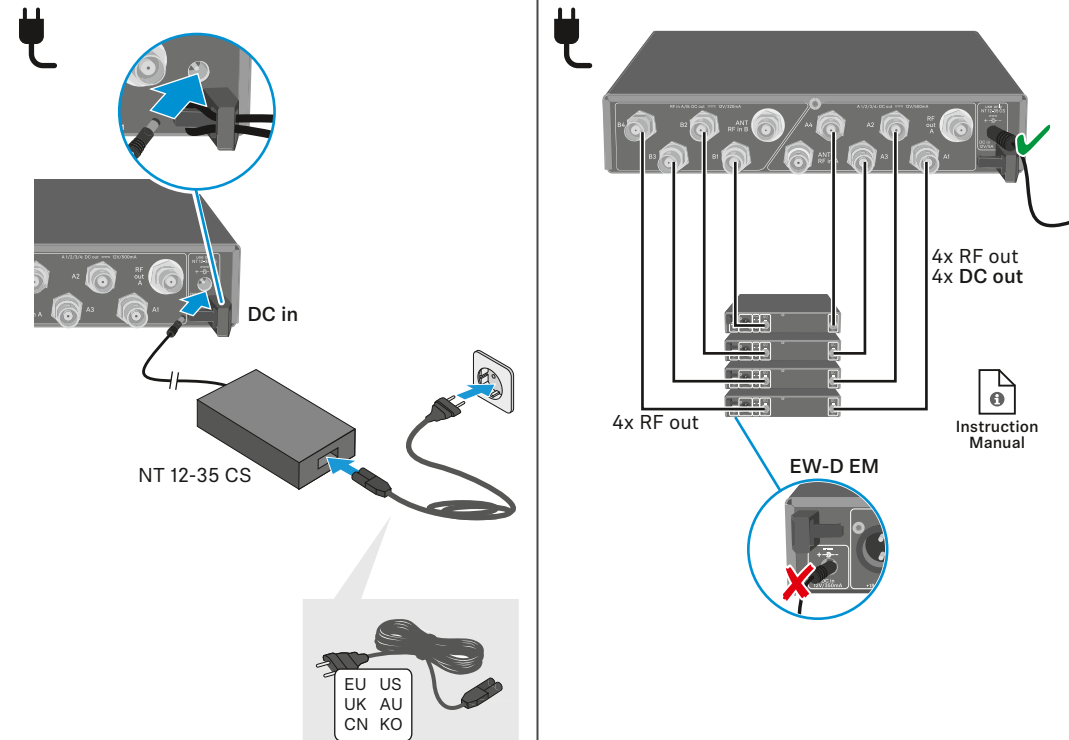
Operating elements



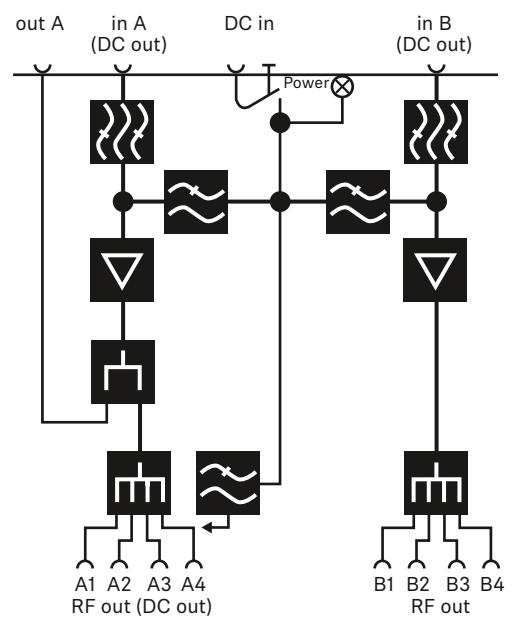
Sennheiser electronic GmbH & Co. KG

Am Labor 1, 30900 Wedemark, Germany
www.sennheiser.com

Publ. 09/20, 583967/A02

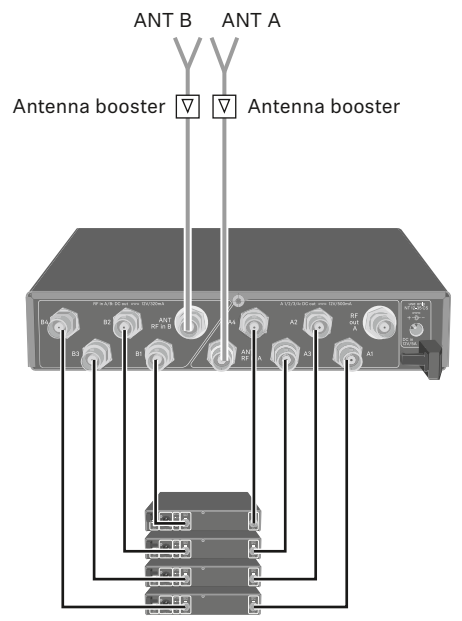


Block diagram

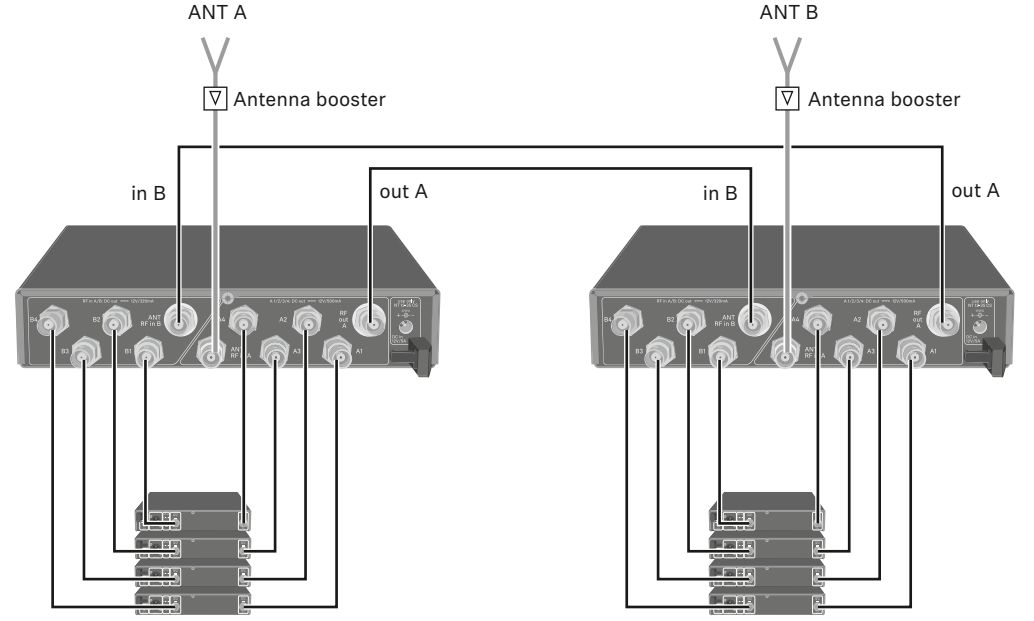


Connecting devices

A: Two antennas supplying a 4-channel system



B: Linking two 4-channel systems



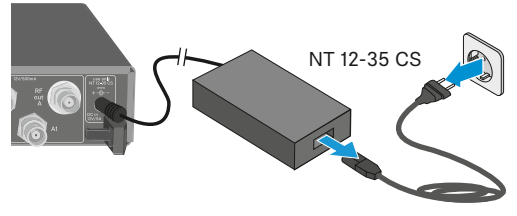
ON/OFF

ON/Standby

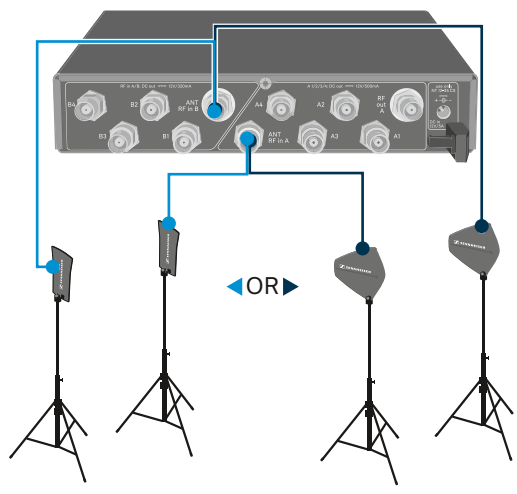


	EW-D ASA
short	on
long	standby

OFF



Remote antennas, maximum cable lengths and antenna booster setup



C: Two antennas supplying an 8-channel system

