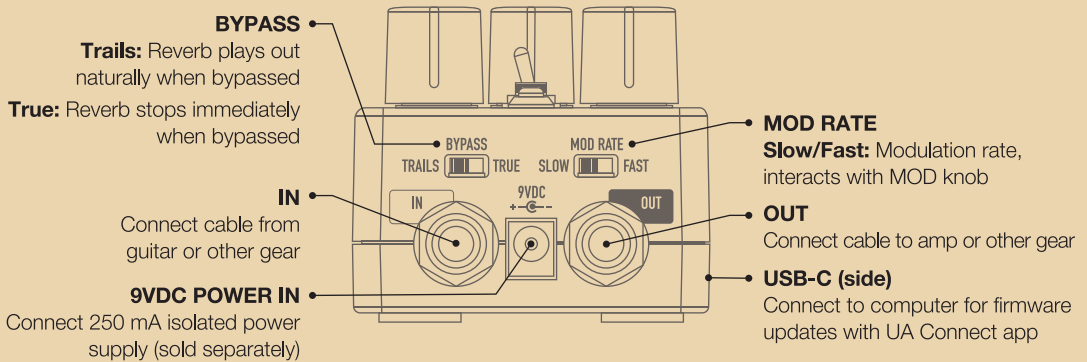
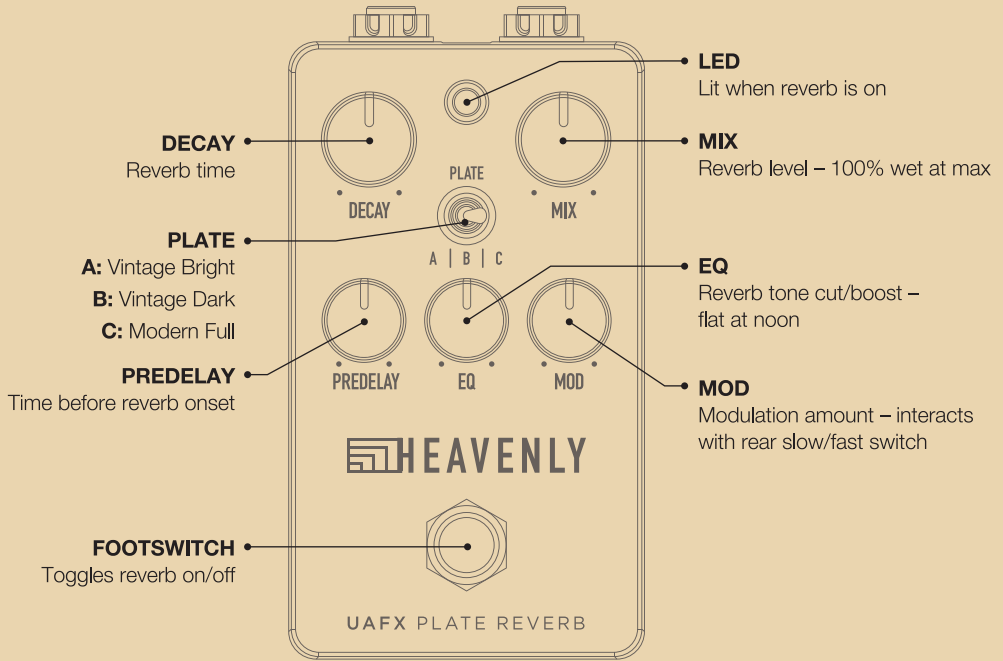


HEAVENLY

UAFX PLATE REVERB



Power Supply Isolated 9VDC, center-negative, 250 mA minimum, 2.1x5.5 mm barrel connector (sold separately)

Get More Find firmware updates and complete docs at uaudio.com/uafx/start